



290 East 56th Avenue
 Denver, CO 80216
 303-296-9696
 dalyteusa.com

Salesperson: _____

E-Mail: _____


MANUAL OPERABLE CURB MOUNT SKYLIGHT WORKSHEET

Sold To: _____ Phone: _____ Fax: _____
 Address: _____ City: _____ State: _____ Zip: _____
 Contact: _____ Project/PO: _____ E-Mail: _____


QTY.	(A) Outside Curb Dimension See Below (In Inches)	(B) Dome Height 20-25% of smaller dimension if not specified	Other Notes
	Hinge/Operator Side (Width) 23" Minimum Width with a 1 1/2" Thick Curb X Slope Side (Length)		
	X		
	X		

Skylight Type: (Choose One)


Standard Acrylic Dome



Optional Acrylic Pyramid
6:12 Standard Slope



Optional Flat
2:12 Minimum Slope



Optional Custom Shape

Frame and Retainer Finish:
(Choose One)

Clear Anodized

Dark Bronze Anodized

Custom Frame Finish:

Glazing: (Choose One)

Standard Double Acrylic Dome

Clear over Clear
 Bronze over Clear
 Clear over White

Optional Single Acrylic Dome

Clear Bronze White

Optional:

Flat Insulated Glass Standard: Low-E Clear

Optional Bronze
 Custom: _____

Flat Multiwall Translucent Polycarbonate Panel Standard: 16mm (5/8")

Clear Opal (White)
 Bronze Custom: _____

Optional:

25mm (1") 3 Wall
 25mm (1") 7 Wall

OSHA Fall-Guard Protection:

YES: Include Optional Custom OSHA Fall-Guard Protection.



FALL-GUARD (SHIPPED LOOSE), GALVANIZED FINISH

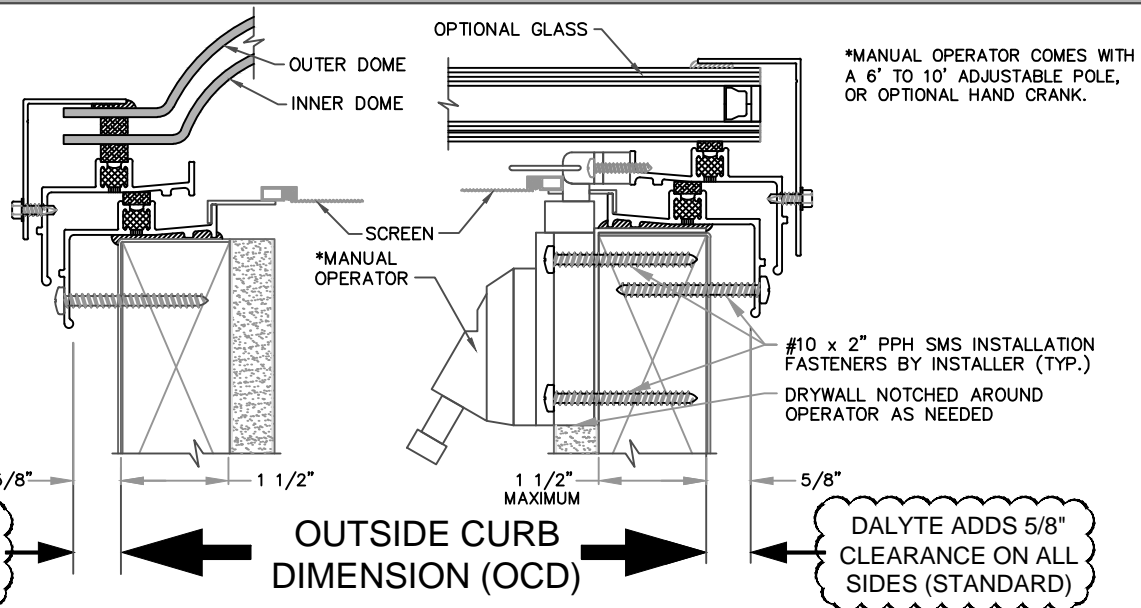
NO: OSHA Fall-Guards NOT Needed Because There Are Other Types of OSHA Fall Protection By Others.

Initial _____

Options:

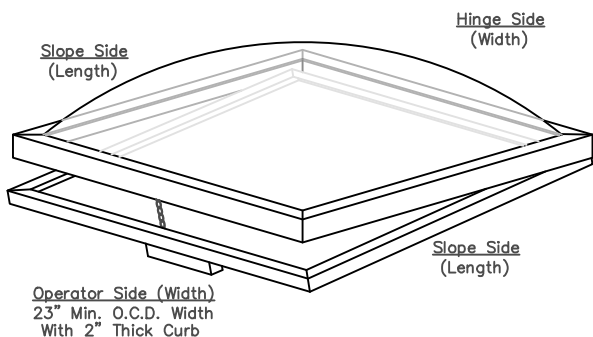
Installation Supplies:

Installation Kit
 -3/4" Wide x 1/4" High x 35' Long Curb Gasket, and
 -(20) #10x2" PPH SMS Installation Screws

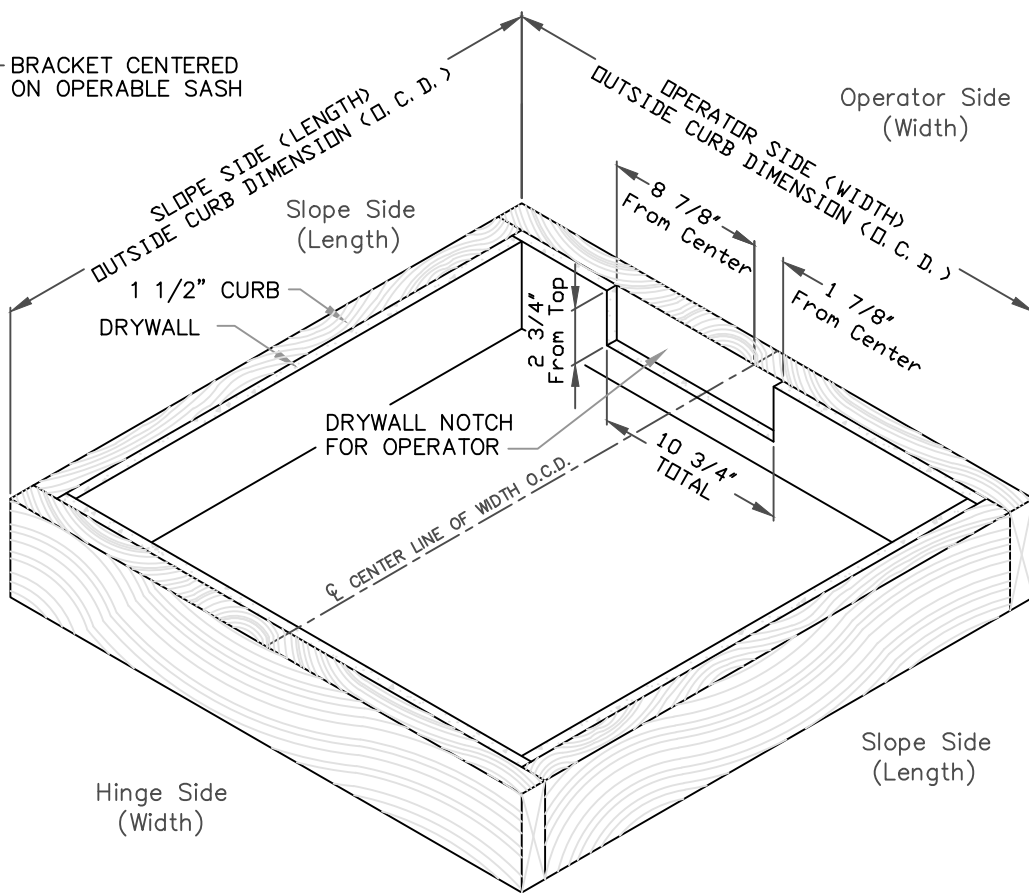
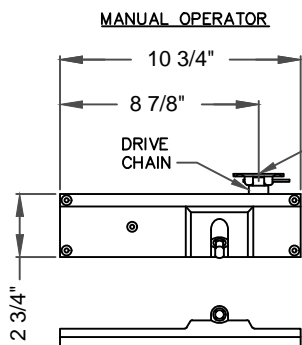




MANUAL OPERABLE CURB MOUNT SKYLIGHT WORKSHEET



- MAXIMUM WEIGHT OF AN OPENING SKYLIGHT: 160 LBS.
- MAXIMUM AREA:
 GLASS- 16 SQ. FT., NOT TO EXCEED 48" ON ANY SIDE.
 ACRYLIC - 30 SQ. FT., NOT TO EXCEED 72" ON ANY SIDE.
- SCREENS: EXTRUDED FLAT PERIMETER FRAME WITH WIRE MESH
 NOTE: SCREEN REMOVES FROM THE EXTERIOR



Approved By: _____

Date: _____

Specifications: Skylight as manufactured by Dalyte Denver Colorado. Units consist of an extruded aluminum 6063-T6. Inner frame (0.070") with a polyurethane thermal-break to reduce thermal transfer throughout the aluminum frame, and to minimize condensation in the interior frame. Outer frame (0.060") thick. Skylights are constructed to withstand 40 P.S.F. downward, and 20 P.S.F. outward loading and constructed to minimize air infiltration with provisions for adequate moisture weeping to exterior. Dome units shall consist of an acrylic thermal-formed free blown dome(s) in industry standard thickness as determined by overall size with peel-off protective film. Glass units shall be constructed of sealed insulated glass units with tempered outer lite, and laminated inner lite.

Note: Condensation is not a skylight defect, it is a result of atmospheric conditions inside and outside of the building. Skylights are designed to structurally account for expansion and contraction. Occasionally there may be audible popping noises especially with acrylic domes. All skylight glazing (transparent material) will have minor distortion especially when viewing at an angle. Tolerances are +/- 3/16".

DALYTE Skylights are not designed to support people. OCHA approved safety devices are to be used around skylight for personal safety. This worksheet will supersede all details on quotation - Please double check for accuracy.