



290 East 56th Avenue
 Denver, CO 80216
 303-296-9696
 dalyteusa.com

Salesperson: _____

E-Mail: _____

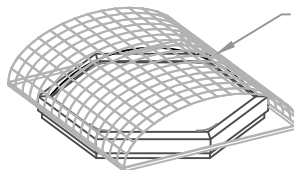
HEXAGON DOME SKYLIGHT WORKSHEET

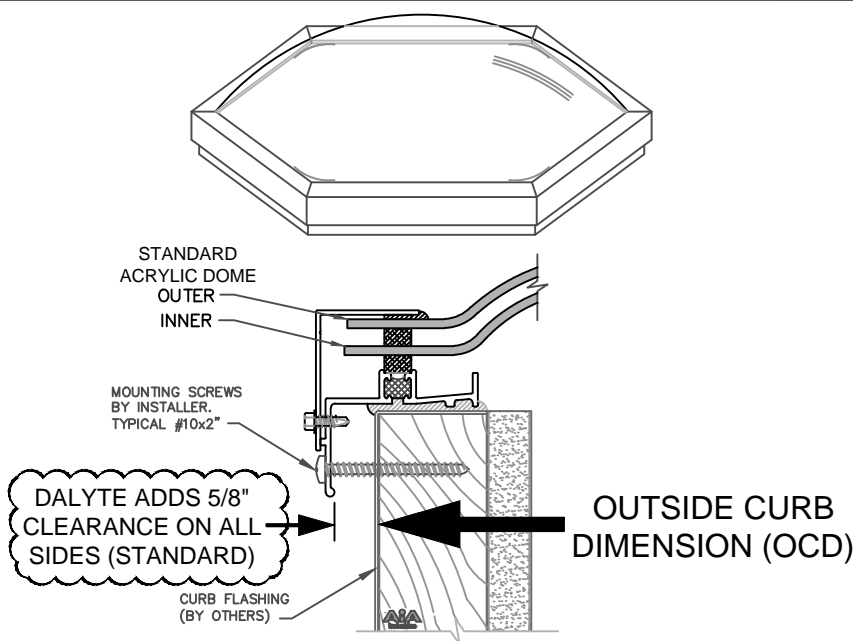
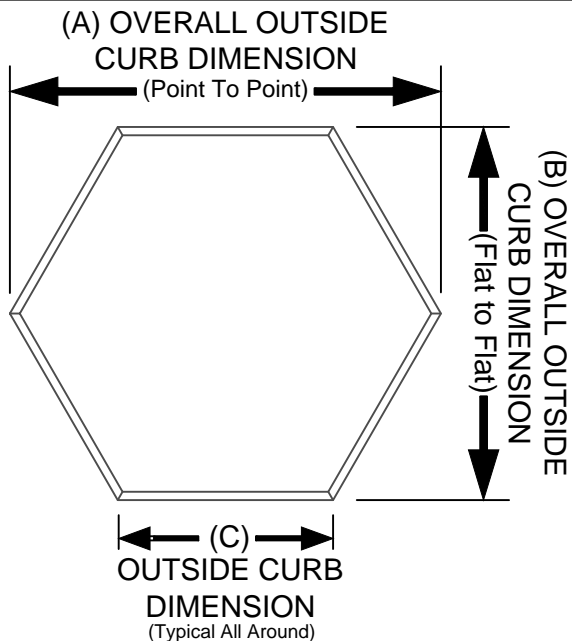
Sold To: _____ Phone: _____ Fax: _____

Address: _____ City: _____ State: _____ Zip: _____

Contact: _____ Project/PO: _____ E-Mail: _____

QTY.	(A) Overall Outside Curb Dimension See Below (In Inches)	(B) Overall Outside Curb Dimension (Flat to Flat) See Below (In Inches)	(C) Outside Curb Dimension (All Sides) See Below (In Inches)	Other Notes

<p>Frame Finish: (Choose One)</p> <input type="checkbox"/> Clear Anodized <input type="checkbox"/> Dark Bronze Anodized <input type="checkbox"/> Custom Frame Finish: _____ _____	<p>Glazing: (Choose One)</p> <p>Standard Double Acrylic Dome</p> <input type="checkbox"/> Clear over Clear <input type="checkbox"/> Bronze over Clear <input type="checkbox"/> Clear over White <p>Optional Single Acrylic Dome</p> <input type="checkbox"/> Clear <input type="checkbox"/> Bronze <input type="checkbox"/> White	<p>OSHA Fall-Guard Protection:</p> <input type="checkbox"/> YES: Include Optional Custom OSHA Fall-Guard Protection.  <p>FALL-GUARD (SHIPPED LOOSE), GALVANIZED FINISH</p> <input type="checkbox"/> NO: OSHA Fall-Guards NOT Needed Because There Are Other Types of OSHA Fall Protection By Others. <p>Initial _____</p>	<p>Optional Dome Upgrade:</p> <input type="checkbox"/> High Impact (Outer Dome) <input type="checkbox"/> Clear <input type="checkbox"/> White <p>Installation Supplies:</p> <input type="checkbox"/> Installation Kit -3/4" Wide x 1/4" High x 35' Long Curb Gasket, and -(20) #10x2" PPH SMS Installation Screws
--	--	---	--



Approved By: _____ Date: _____

Specifications: Skylight as manufactured by DalYTE Denver Colorado. Units consist of an extruded aluminum 6063-T6. Inner frame (0.070") with a polyurethane thermal-break to reduce thermal transfer throughout the aluminum frame, and to minimize condensation in the interior frame. Outer frame (0.060") thick. Skylights are constructed to withstand 40 P.S.F. downward, and 20 P.S.F. outward loading and constructed to minimize air infiltration with provisions for adequate moisture weeping to exterior. Dome units shall consist of an acrylic thermal-formed free blown dome(s) in industry standard thickness as determined by overall size with peel-off protective film. Glass units shall be constructed of sealed insulated glass units with tempered outer lite, and laminated inner lite.

Note: Condensation is not a skylight defect, it is a result of atmospheric conditions inside and outside of the building. Skylights are designed to structurally account for expansion and contraction. Occasionally there may be audible popping noises especially with acrylic domes. All skylight glazing (transparent material) will have minor distortion especially when viewing at an angle. Tolerances are +/- 3/16".

DALYTE Skylights are not designed to support people. OSHA approved safety devices are to be used around skylight for personal safety. This worksheet will supersede all details on quotation - Please double check for accuracy.