



290 East 56th Avenue  
 Denver, CO 80216  
 303-296-9696  
 dalyteusa.com

Salesperson: \_\_\_\_\_

E-Mail: \_\_\_\_\_


# CURB MOUNT TANDEM SKYLIGHT WORKSHEET

Sold To: \_\_\_\_\_ Phone: \_\_\_\_\_ Fax: \_\_\_\_\_  
 Address: \_\_\_\_\_ City: \_\_\_\_\_ State: \_\_\_\_\_ Zip: \_\_\_\_\_  
 Contact: \_\_\_\_\_ Project/PO: \_\_\_\_\_ E-Mail: \_\_\_\_\_


QTY.	Outside Curb Dimension (OCD) See Below (In Inches)	Number Of Bays	Custom Dome Height (Usually 20-25% of smaller size if not specified)	Other Notes
	X			
	X			
	X			
	X			

**Skylight Type:**  
(Choose One)


Standard Acrylic Dome



Optional Acrylic Pyramid  
6:12 Standard Slope



Optional Flat  
2:12 Minimum Slope



Optional Custom Shape

**Frame Finish:**  
(Choose One)

Clear Anodized

Dark Bronze Anodized

Custom Frame Finish: \_\_\_\_\_

---

**Tandem Support**  
(Choose One)

Existing by Others

Optional:

A.i.A. Supplied 2" X 3" Tube Reference Tandem Intermediate Detail

**Glazing:** (Choose One)

**Standard Double Acrylic Dome**

Clear over Clear

Bronze over Clear

Clear over White

**Optional Single Acrylic Dome**

Clear  Bronze  White

---

Optional:

Flat Insulated Glass Standard: Low-E Clear

Optional Bronze

Custom: \_\_\_\_\_

---

Flat Multiwall Translucent Polycarbonate Panel Standard: 16mm (5/8")

Clear  Opal (White)

Bronze  Custom: \_\_\_\_\_

Optional:

25mm (1") 3 Wall

25mm (1") 7 Wall

**OSHA Fall-Guard Protection:**

YES: Include Optional Custom OSHA Fall-Guard Protection.



FALL-GUARD (SHIPPED LOOSE), GALVANIZED FINISH

NO: OSHA Fall-Guards NOT Needed Because There Are Other Types of OSHA Fall Protection By Others.

Initial \_\_\_\_\_

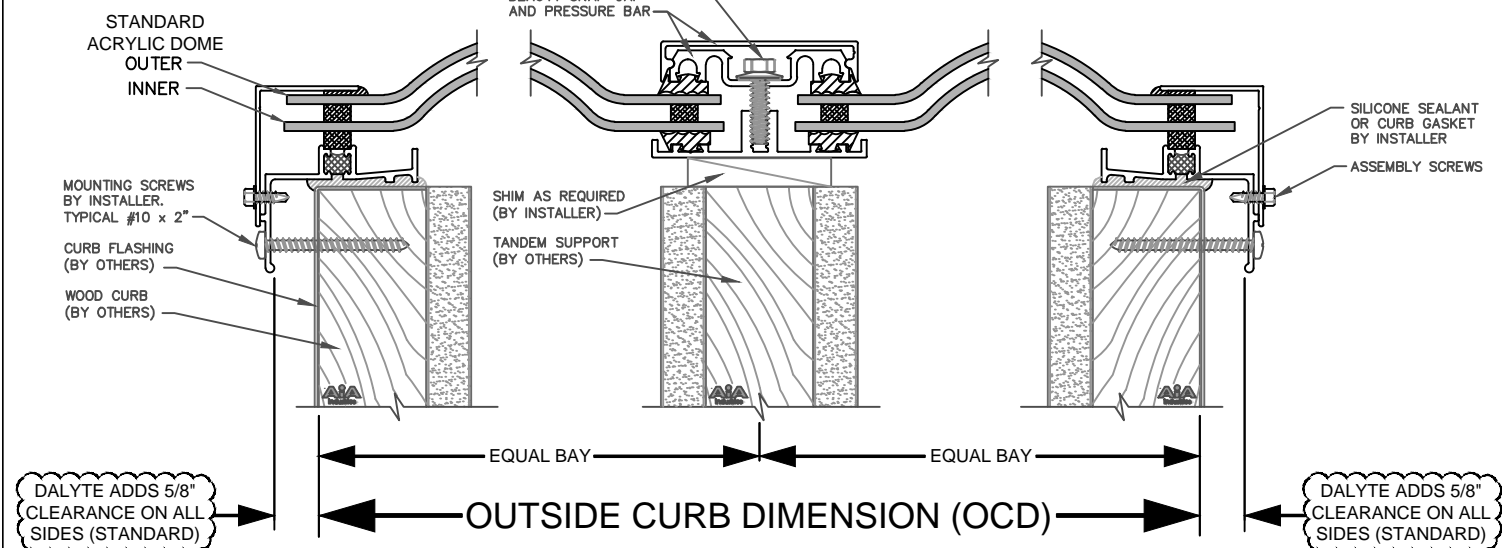
**Options:**

**Installation Supplies:**

Installation Kit  
 -3/4" Wide x 1/4" High x 35' Long Curb Gasket, and  
 -(20) #10x2" PPH SMS Installation Screws

## STANDARD DETAILS

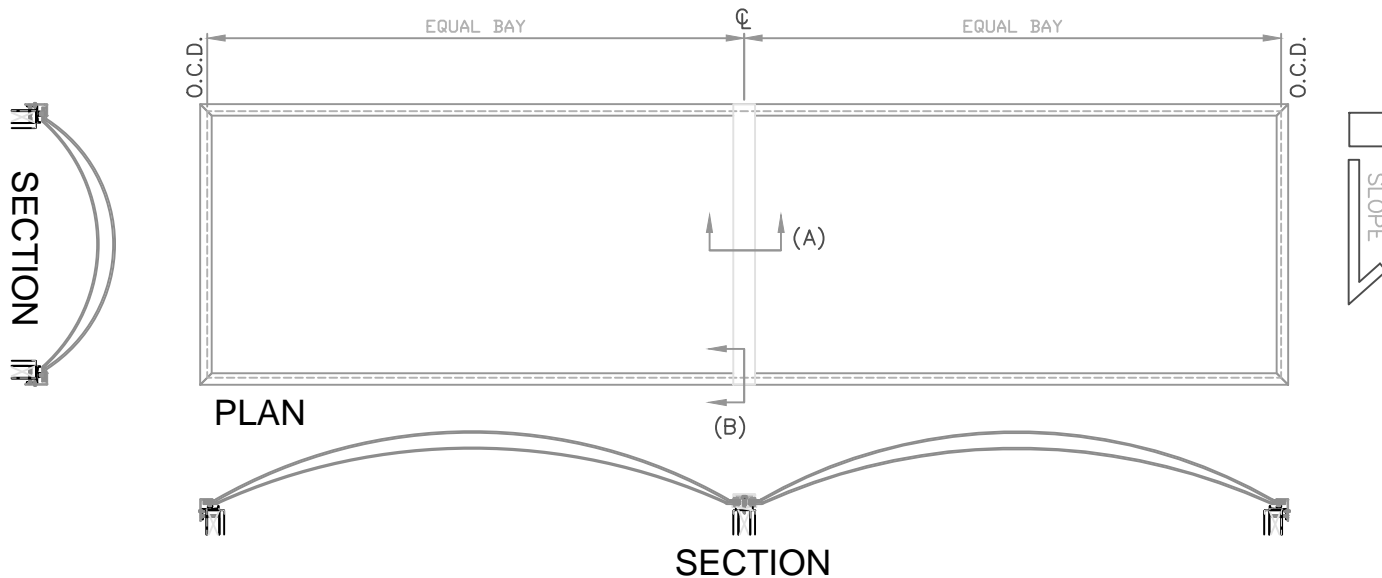
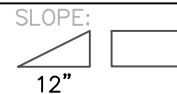
SHOWN WITH STANDARD ACRYLIC DOMES





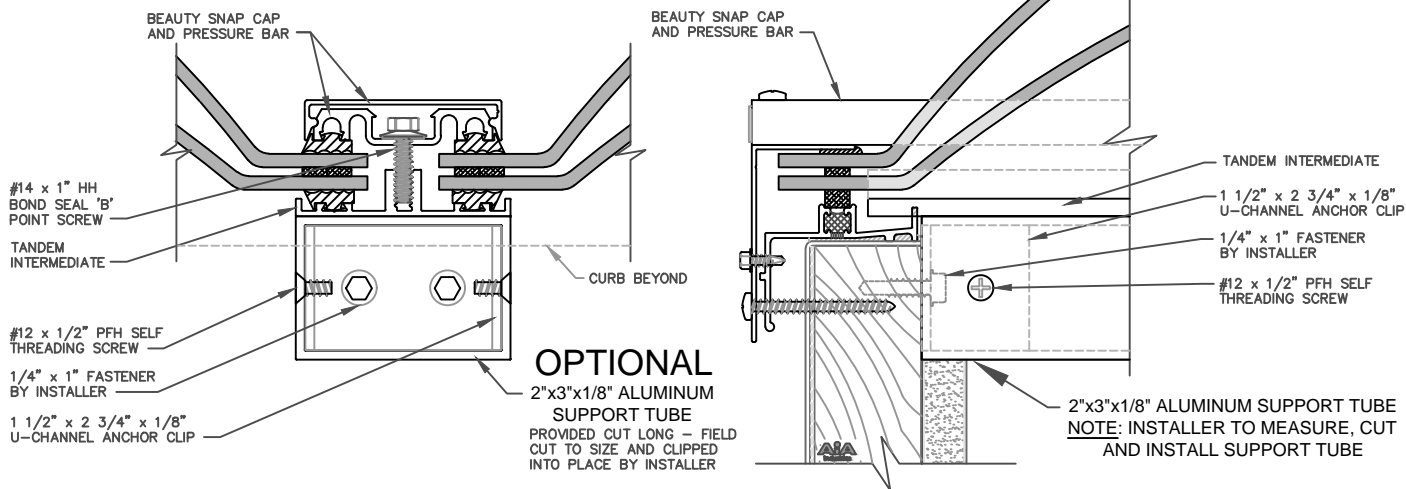
# CURB MOUNT TANDEM SKYLIGHT WORKSHEET

**SELECT SLOPE DIRECTION**  
 WITH FLAT GLASS OR POLYCARBONATE PANEL OPTION



SHOWN WITH STANDARD ACRYLIC DOMES

## OPTIONAL INSTALLATION DETAILS



(A) Tandem Intermediate

(B) Tandem Intermediate And Support Tube Wall Connection

Approved By: \_\_\_\_\_

Date: \_\_\_\_\_

**Specifications:** Skylight as manufactured by DalYTE Denver Colorado. Units consist of an extruded aluminum 6063-T6. Inner frame (0.070") with a polyurethane thermal-break to reduce thermal transfer throughout the aluminum frame, and to minimize condensation in the interior frame. Outer frame (0.060") thick. Skylights are constructed to withstand 40 P.S.F downward, and 20 P.S.F. outward loading and constructed to minimize air infiltration with provisions for adequate moisture weeping to exterior. Dome units shall consist of an acrylic thermal-formed free blown dome(s) in industry standard thickness as determined by overall size with peel-off protective film. Glass units shall be constructed of sealed insulated glass units with tempered outer lite, and laminated inner lite.

**Note:** Condensation is not a skylight defect, it is a result of atmospheric conditions inside and outside of the building. Skylights are designed to structurally account for expansion and contraction. Occasionally there may be audible popping noises especially with acrylic domes. All skylight glazing (transparent material) will have minor distortion especially when viewing at an angle. Tolerances are +/- 3/16".

DALYTE Skylights are not designed to support people. OCHA approved safety devices are to be used around skylight for personal safety. This worksheet will supersede all details on quotation - Please double check for accuracy.