



290 East 56th Avenue
 Denver, CO 80216
 303-296-9696
 dalyteusa.com

Salesperson: _____

E-Mail: _____

FORMED ACRYLIC RIDGE SKYLIGHT WORKSHEET

Sold To: _____ Phone: _____ Fax: _____
 Address: _____ City: _____ State: _____ Zip: _____
 Contact: _____ Project/PO: _____ E-Mail: _____

QTY.	Outside Curb Dimension (OCD) See Below (In Inches)	Other Notes
	X	
	X	
	X	
	X	

Frame and Retainer Finish:

(Choose One)

- Clear Anodized
- Dark Bronze Anodized
- Custom Frame Finish:

Glazing: (Choose One)

Standard Double Acrylic Dome

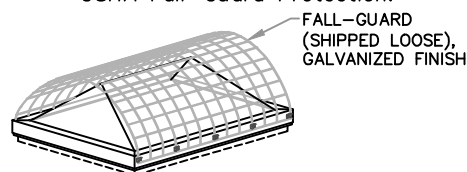
- Clear over Clear
- Bronze over Clear
- Clear over White

Optional Single Acrylic Dome

- Clear Bronze White

OSHA Fall-Guard Protection:

- YES: Include Optional Custom OSHA Fall-Guard Protection.



- NO: OSHA Fall-Guards NOT Needed Because There Are Other Types of OSHA Fall Protection By Others.

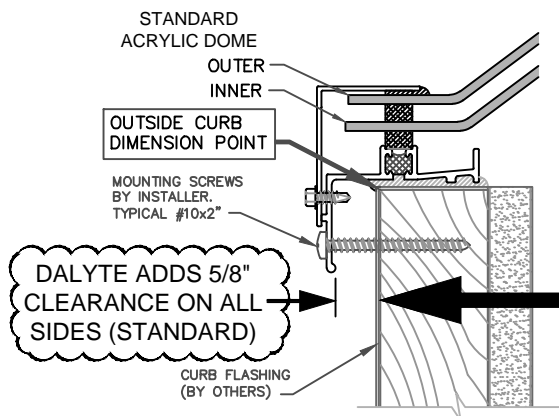
Initial _____

Installation Supplies:

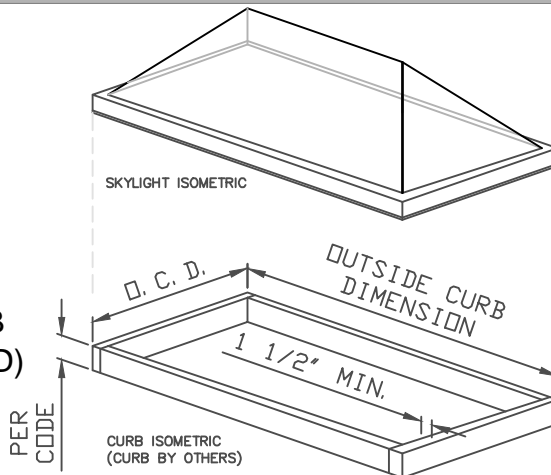
- Installation Kit
 -3/4" Wide x 1/4" High x 35' Long Curb Gasket, and
 -(20) #10x2" PPH SMS Installation Screws

Optional Dome Upgrade:

- High Impact (Outer Dome)
 Clear White



OUTSIDE CURB DIMENSION (OCD)



Approved By: _____

Date: _____

Specifications: Skylight as manufactured by DalYTE Denver Colorado. Units consist of an extruded aluminum 6063-T6. Inner frame (0.070") with a polyurethane thermal-break to reduce thermal transfer throughout the aluminum frame, and to minimize condensation in the interior frame. Outer frame (0.060") thick. Skylights are constructed to withstand 40 P.S.F. downward, and 20 P.S.F. outward loading and constructed to minimize air infiltration with provisions for adequate moisture weeping to exterior. Dome units shall consist of an acrylic thermal-formed free blown dome(s) in industry standard thickness as determined by overall size with peel-off protective film. Glass units shall be constructed of sealed insulated glass units with tempered outer lite, and laminated inner lite.

Note: Condensation is not a skylight defect, it is a result of atmospheric conditions inside and outside of the building. Skylights are designed to structurally account for expansion and contraction. Occasionally there may be audible popping noises especially with acrylic domes. All skylight glazing (transparent material) will have minor distortion especially when viewing at an angle. Tolerances are +/- 3/16".

DALYTE Skylights are not designed to support people. OSHA approved safety devices are to be used around skylight for personal safety. This worksheet will supersede all details on quotation - Please double check for accuracy.