



An AiA Industries Company



Summit Series™ Flashing Kit

*Installation Instructions for
Curb Mount Skylights*



Installation Checklist

- Follow all required safety steps
- Verify outside curb dimensions (OCD) prior to installation
- Use with thin roofing materials
- Use with roof pitch between 9.46 degrees (2/12) and 60 degrees (20/12)
- Curb must be a minimum of 3-1/2" tall and 1-1/2" wide.
- Adjustable flashing included for 6" tall curb.

Materials and Tools Required

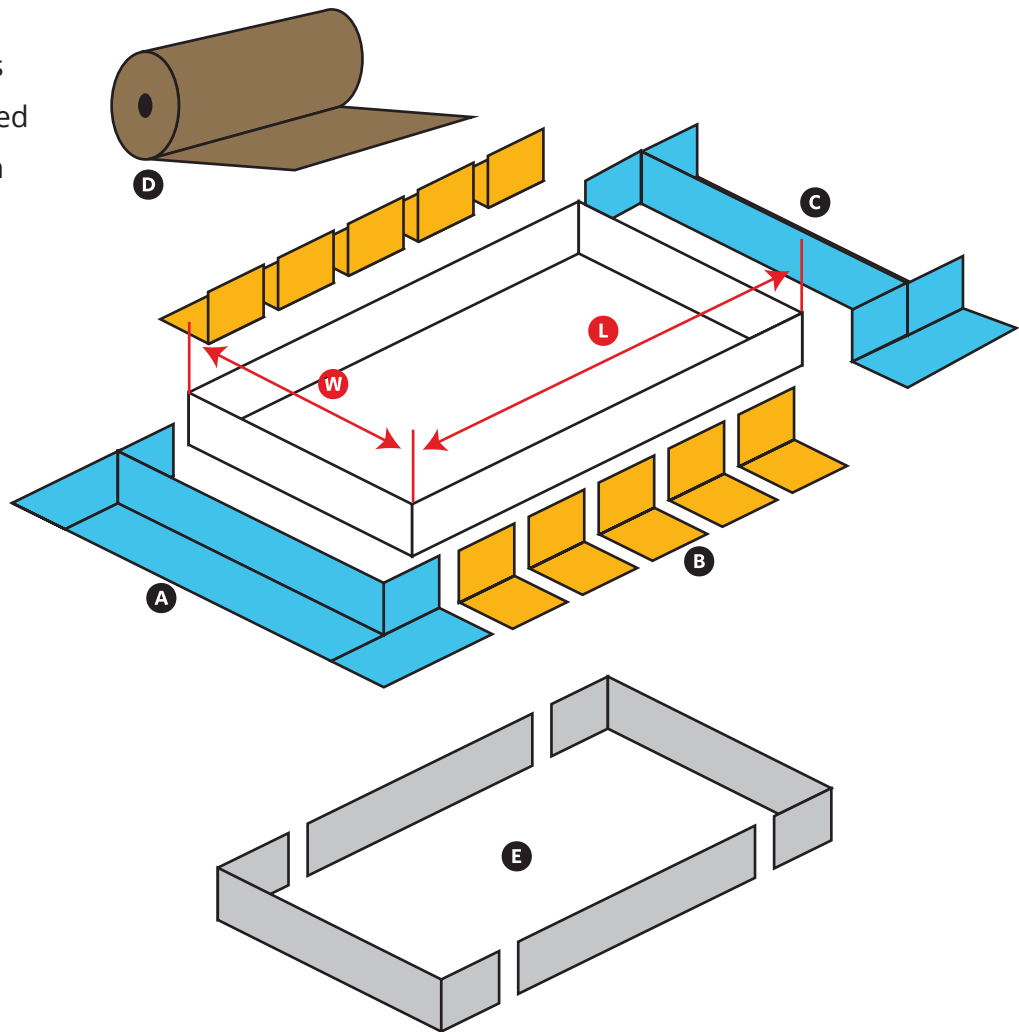
- Caulking Gun
- Sealant
- Hammer
- Tin Snips
- Roofing Nails
- Safety Glasses
- OSHA Approved
- Fall Protection

KIT INCLUDES:

- A** Sill Flashing
- B** Step Flashing
- C** Head Flashing
- D** Adhesive Underlayment
- E** Adjustable Flashing for 6" curbs

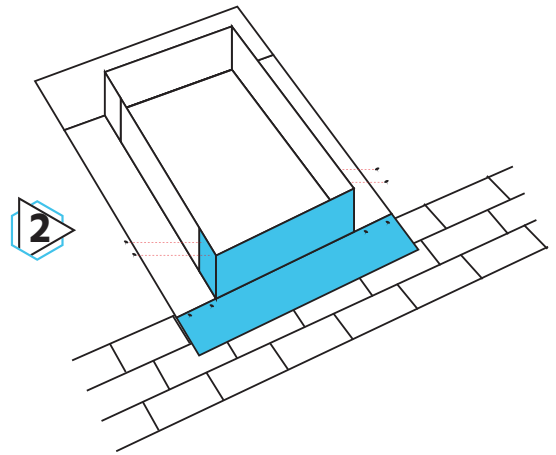
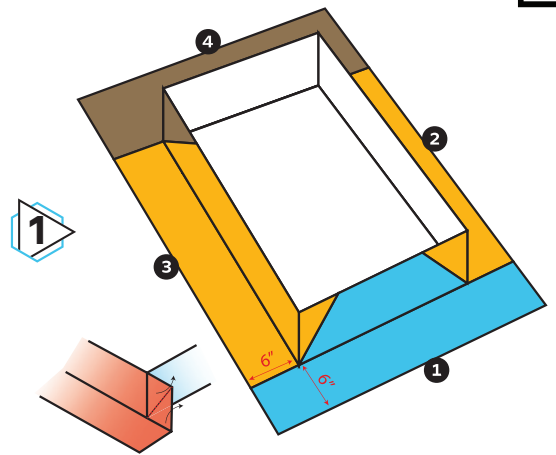
Outside Curb Dimension

- Always measure the CURB not the skylight frame. Refer to image to the left for measurement locations. Outside curb dimensions should be taken on the exposed curb if possible
- DALYTE adds 5/8" standard clearance on ALL sides. The 5/8" clearance is in addition to the curb dimensions provided and is for the roofing materials, flashing and out-of-square curbs



1 INSTALL ADHESIVE UNDERLAYMENT (D)

- Cut two pieces that are 12" longer than the width and two pieces that are 12" longer than the length.
- (1) Starting at the sill- remove the peel-n-stick backing and apply the adhesive underlayment (D) to the curb working towards the base and onto the roof ensuring complete adhesion.
- Make a 45 degree cut at the corners in the vertical portion only and wrap around the corner.
- (2-3) Install underlayment (D) in similar manner on both sides of the skylight
- (4) Finally, install underlayment (D) at head of curb. It should be long enough so it is overlapped by the roofing underlayment above
- Underlayment should extend a minimum of 6" from sides up curb

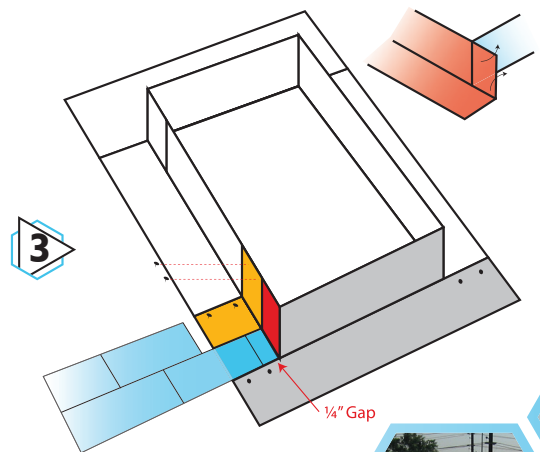


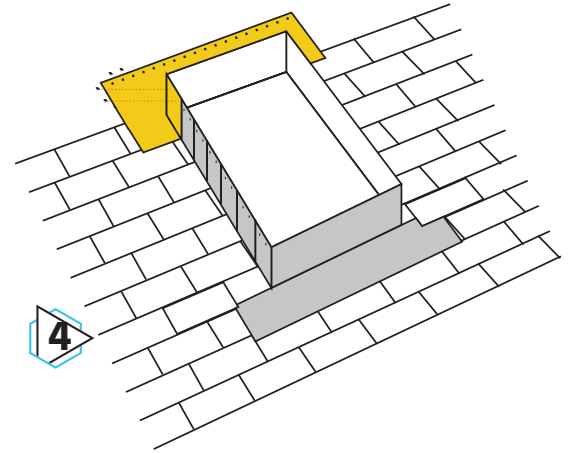
2 INSTALL SILL FLASHING (A)

- Nail in locations shown in image
- Flashing should overlap the course of shingles below
- Avoid exposed fasteners

3 INSTALL STEP FLASHING (B)

- Nail in locations shown in image
- Interweave step flashing pieces and roofing material from the bottom up
- Flashing should overlap the shingle below by 4"
- Shingles should be a maximum 1/4" from flashing
- Cut the top pieces of step flashing as needed. Cut a 45 degree angle in the vertical portion only and wrap around the corner of the curb



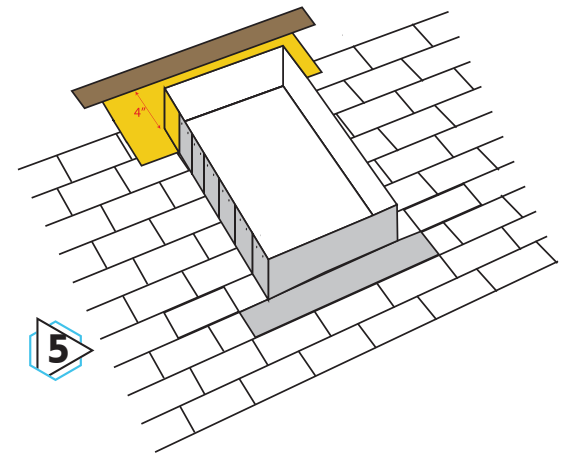


4 INSTALL HEAD FLASHING (C)

- Attach according to image shown
- Head Flashing (C) should overlap the course of shingles below
- Avoid exposed fasteners

5 INSTALL ADHESIVE UNDERLAYMENT (D)

- Install peel-n-stick adhesive underlayment (D) on top of head flashing (C) and under main roofing underlayment above
- Continue installing shingles above Head Flashing (C)
- Maintain 4" clearance between head flashing (C) and bottom course of shingles above.



6 OPTIONAL: INSTALL ADJUSTABLE FLASHING (E) - FOR 6" TALL CURB ONLY

- Nail Adjustable Flashing (E) according to image shown
- Install flashing from the sill up according to image
- Apply silicone sealant to gaps as needed

