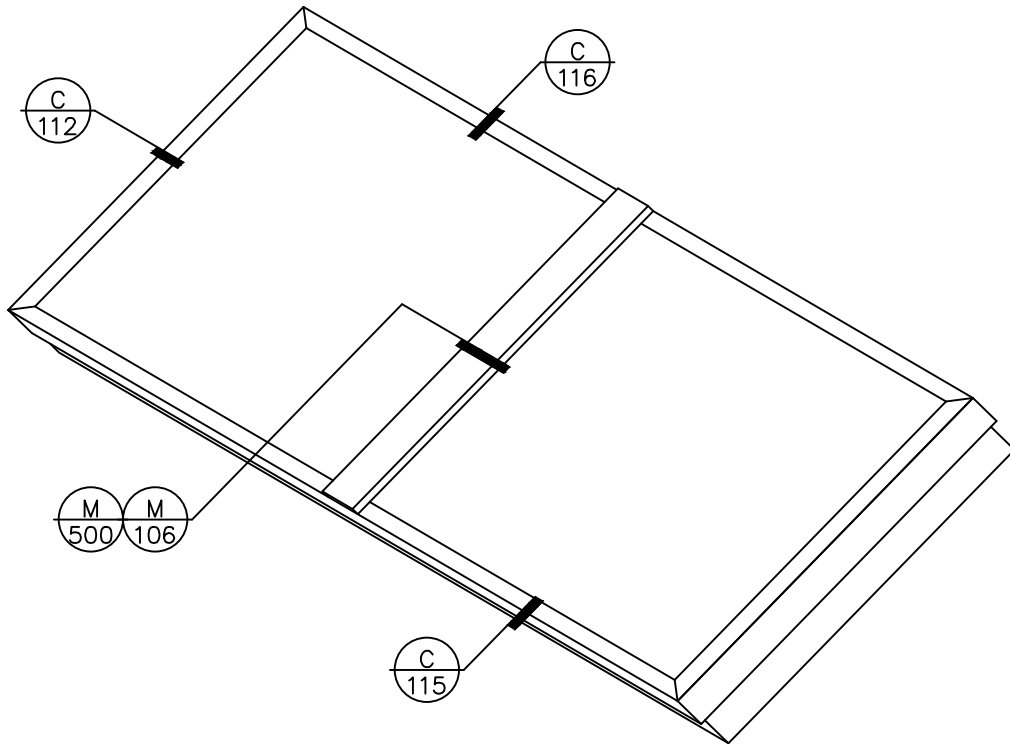


CURB MOUNT SINGLE SLOPE



An AiA Industries Company

290 East 56th Avenue
Denver, CO 80216
(303) 296-9696
Fax (303) 296-2146

CURB MOUNT
SINGLE SLOPE

**PLAN
ISO**

NEUTRAL CURE 791
SILICONE SEALANT

CLOSED CELL
FOAM TAPE

SETTING BLOCK

1 7/16" x 2 3/4"
RETAINING ANGLE

1 7/16" x 7/8"
GLAZING STOP

POUR AND DEBRIDGE
POLYURETHANE
THERMAL BREAK

#8 x 1/2" HH SELF
DRILLING FASTENER

OUTSIDE CURB
DIMENSION POINT.

5/8" REQUIRED CLEARANCE

FLASHING BY OTHERS

SEALANT BY INSTALLER

ANCHOR SCREW BY INSTALLER

CURB BY OTHERS

1 1/2" MINIMUM

DALYTE

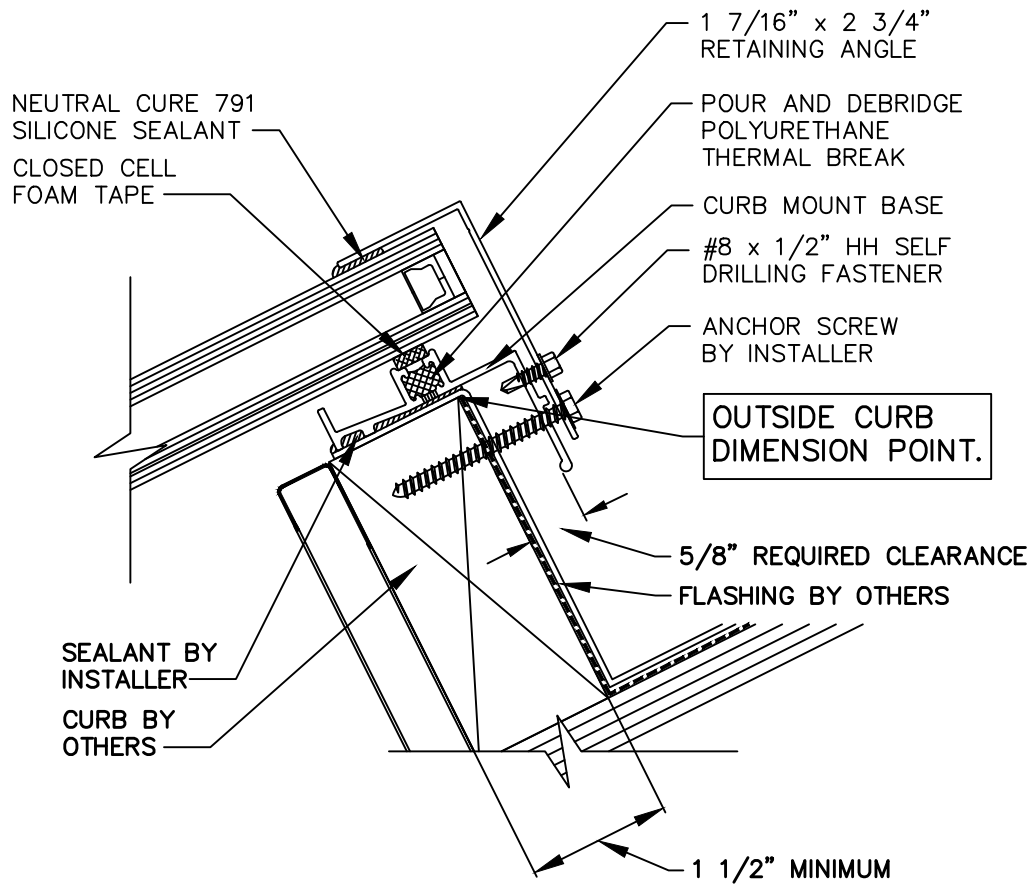
An AiA Industries Company

290 East 56th Avenue
Denver, CO 80216
(303) 296-9696
Fax (303) 296-2146

CURB MOUNT
SINGLE SLOPE

SILL

C
115

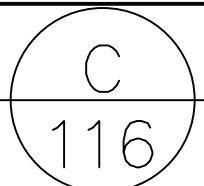


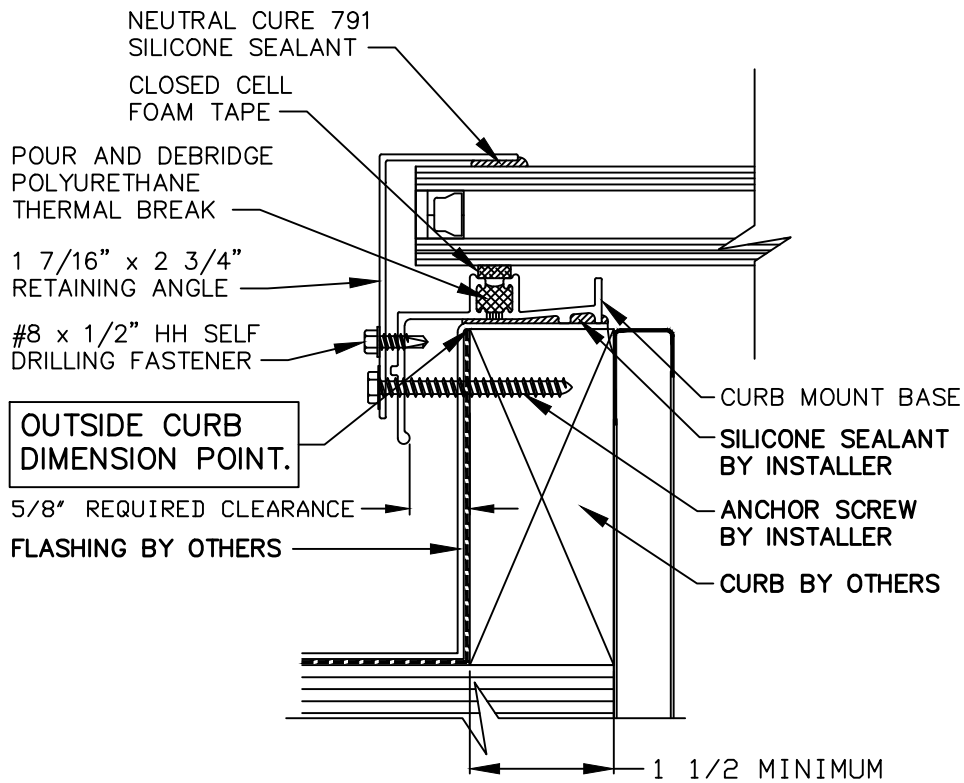
An AiA Industries Company

290 East 56th Avenue
Denver, CO 80216
(303) 296-9696
Fax (303) 296-2146

CURB MOUNT
SINGLE SLOPE

HEAD

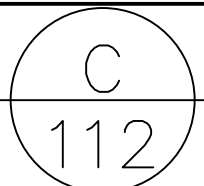


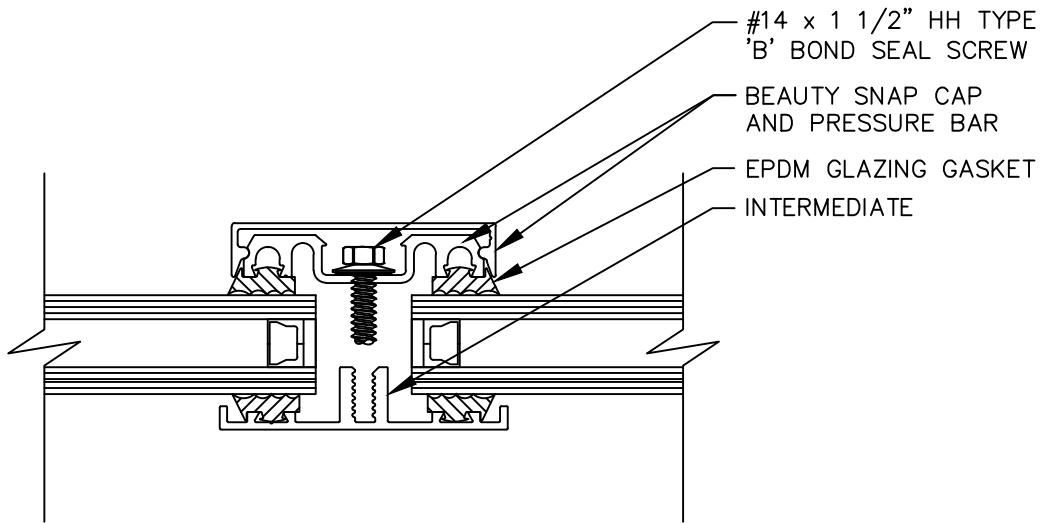


An AiA Industries Company

290 East 56th Avenue
 Denver, CO 80216
 (303) 296-9696
 Fax (303) 296-2146

CURB MOUNT
 SINGLE SLOPE
END RAFTER

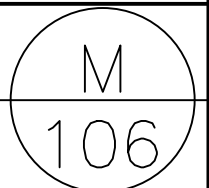


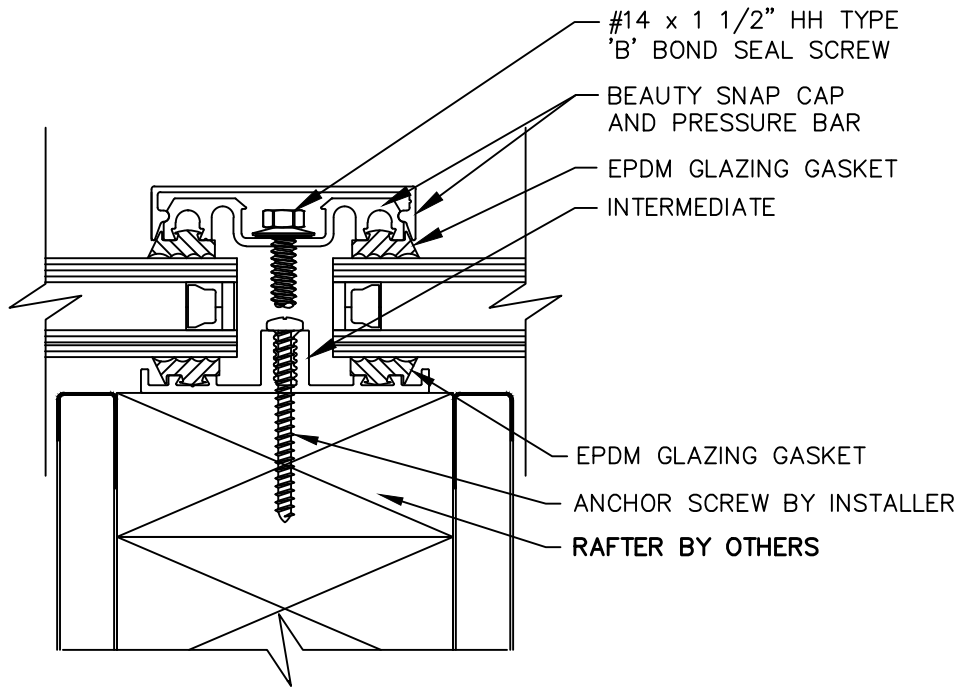


An AiA Industries Company

290 East 56th Avenue
 Denver, CO 80216
 (303) 296-9696
 Fax (303) 296-2146

CURB MOUNT
 SINGLE SLOPE
RAFTER





An AiA Industries Company

290 East 56th Avenue
 Denver, CO 80216
 (303) 296-9696
 Fax (303) 296-2146

CURB MOUNT
 SINGLE SLOPE
MULLION

