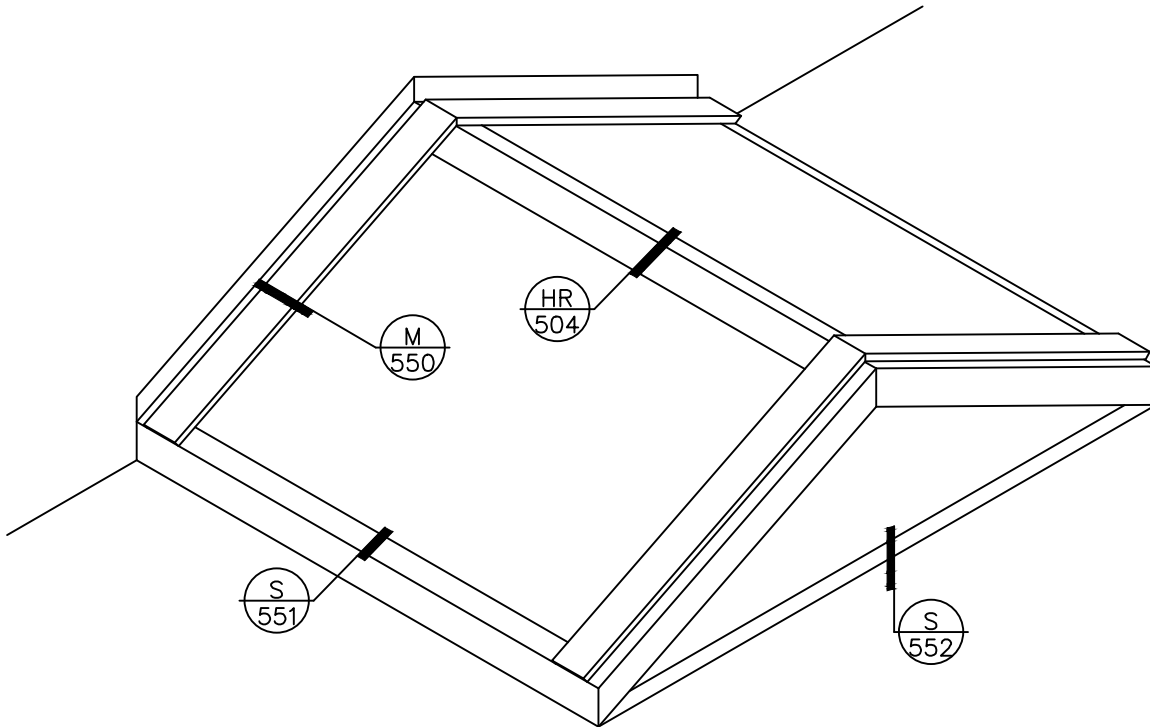


# CURB MOUNT GABLED RIDGE

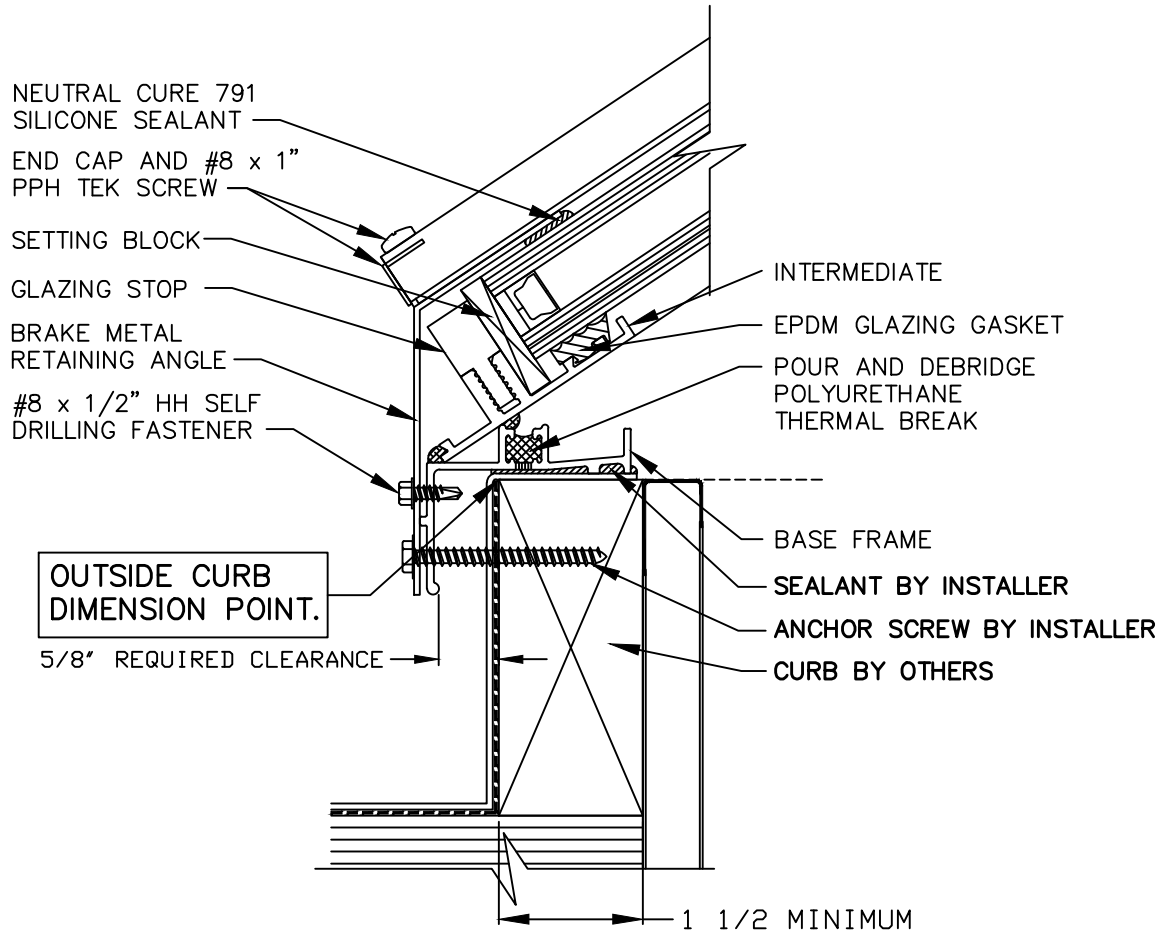


An AiA Industries Company

290 East 56th Avenue  
Denver, CO 80216  
(303) 296-9696  
Fax (303) 296-2146

CURB MOUNT  
CABLE RIDGE

PLAN  
ISO

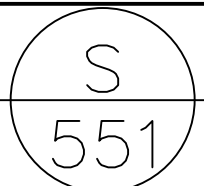


An AiA Industries Company

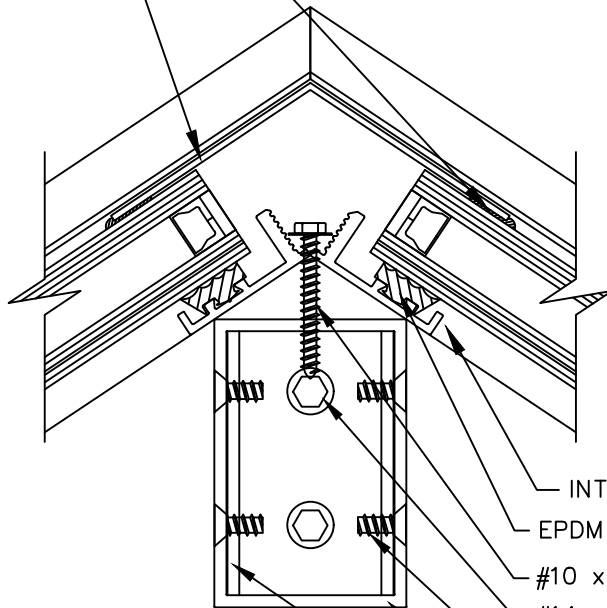
290 East 56th Avenue  
 Denver, CO 80216  
 (303) 296-9696  
 Fax (303) 296-2146

CURB MOUNT  
 GABLED RIDGE

**SILL**



NEUTRAL CURE 791  
SILICONE SEALANT  
RIDGE CAP



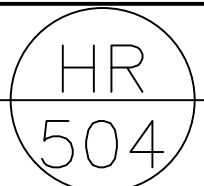
INTERMEDIATE  
EPDM GLAZING GASKET  
#10 x 1 1/4" HH SMS SCREW  
#14 x 1" SELF DRILLING SCREWS  
#12 x 1/2" PFH SMS SCREW  
2" x 3" x 1/8" RIDGE TUBE  
1/8" 'U' CHANNEL RAFTER CLIPS

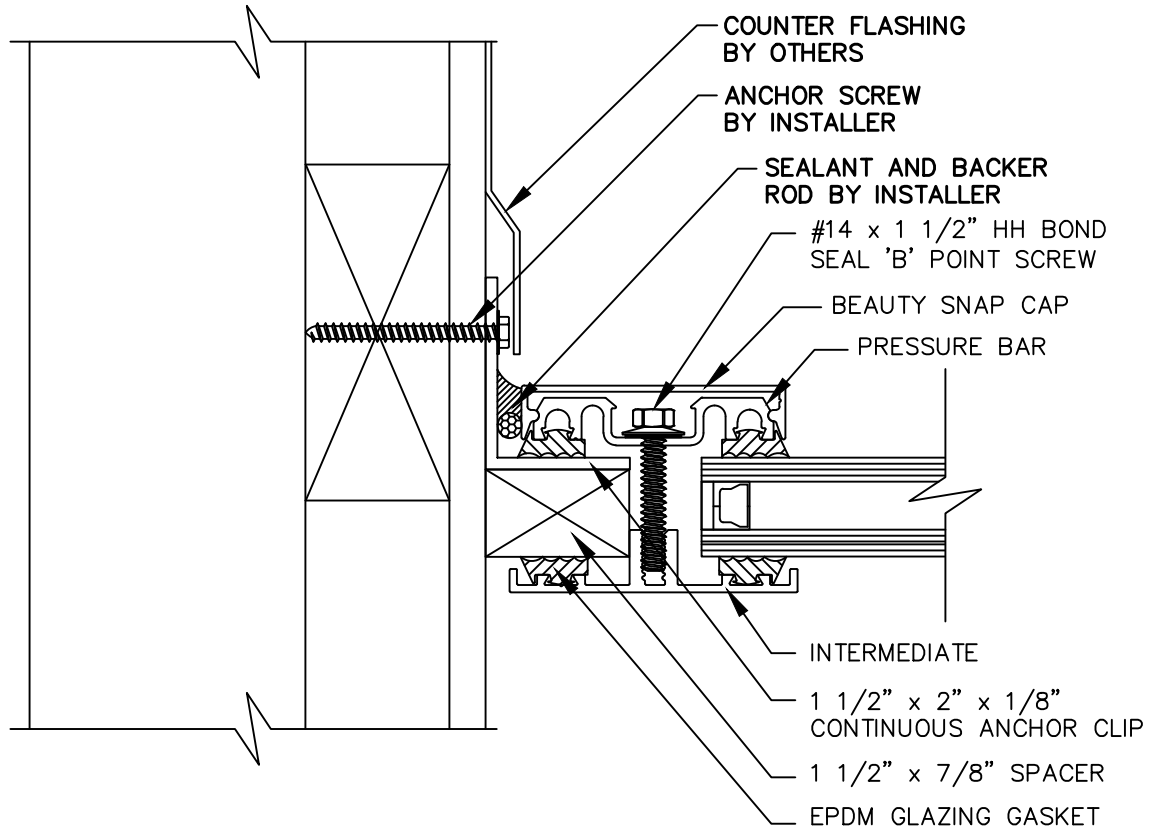


An AiA Industries Company

290 East 56th Avenue  
Denver, CO 80216  
(303) 296-9696  
Fax (303) 296-2146

CURB MOUNT  
GABLED RIDGE  
**RIDGE**

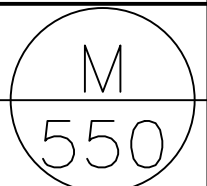


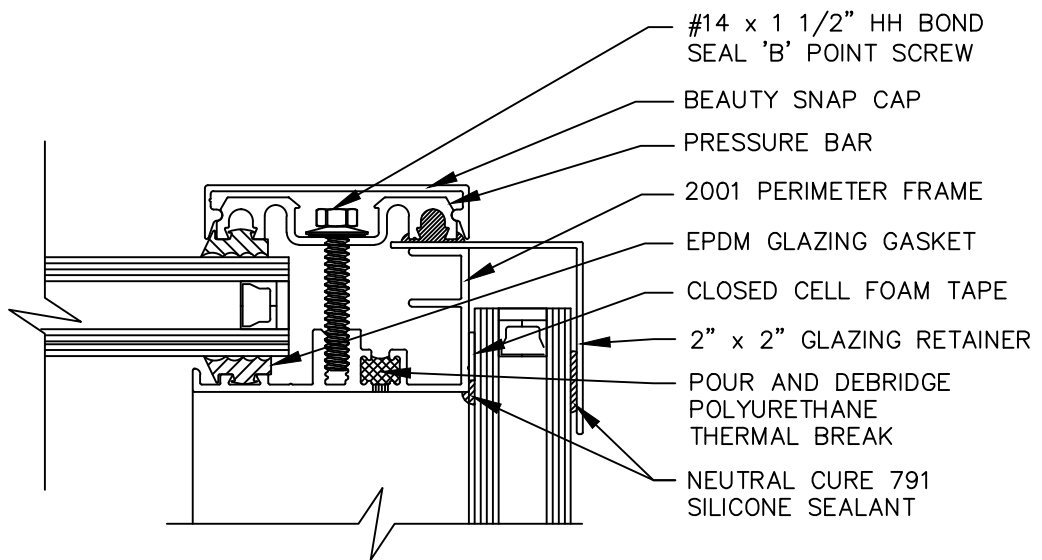


An AiA Industries Company

290 East 56th Avenue  
 Denver, CO 80216  
 (303) 296-9696  
 Fax (303) 296-2146

CURB MOUNT  
 LOW PROFILE VAULT  
 END RAFTER  
 AT WALL

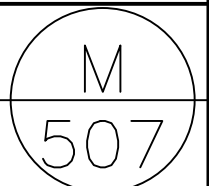


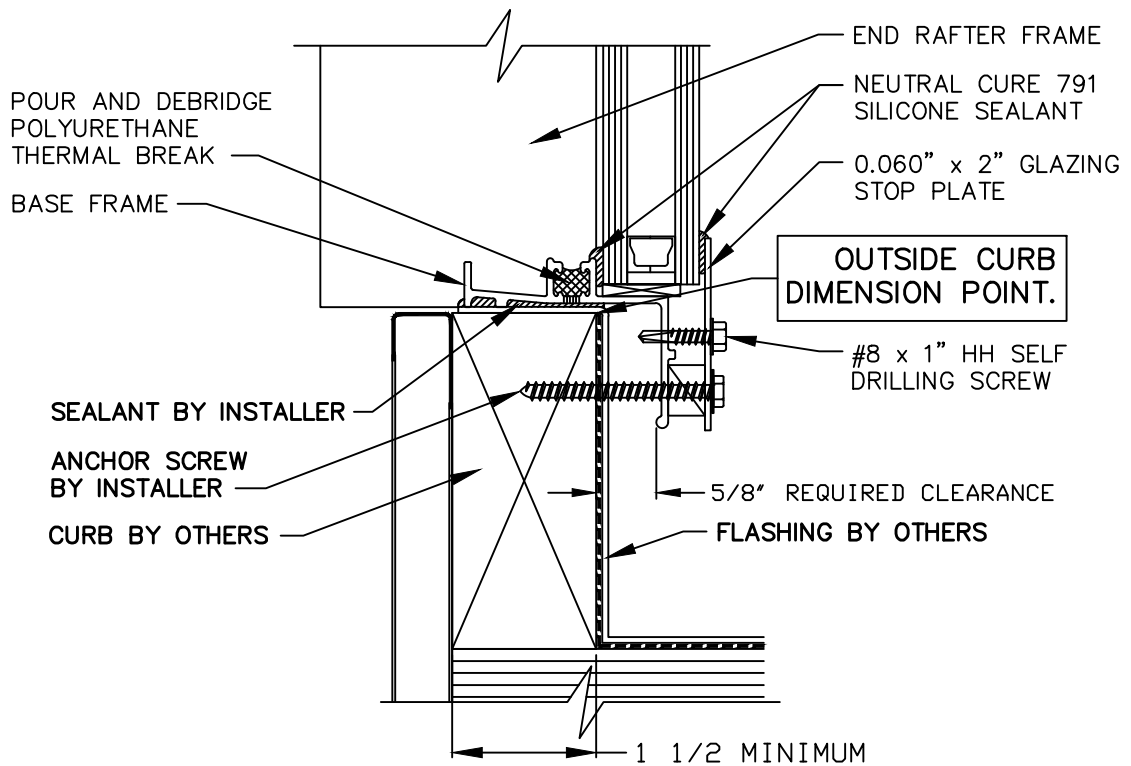


An AiA Industries Company

290 East 56th Avenue  
 Denver, CO 80216  
 (303) 296-9696  
 Fax (303) 296-2146

CURB MOUNT  
 GABLED RIDGE  
 MULLION





An AiA Industries Company

290 East 56th Avenue  
Denver, CO 80216  
(303) 296-9696  
Fax (303) 296-2146

CURB MOUNT  
GABLED RIDGE

GABLE END SILL

