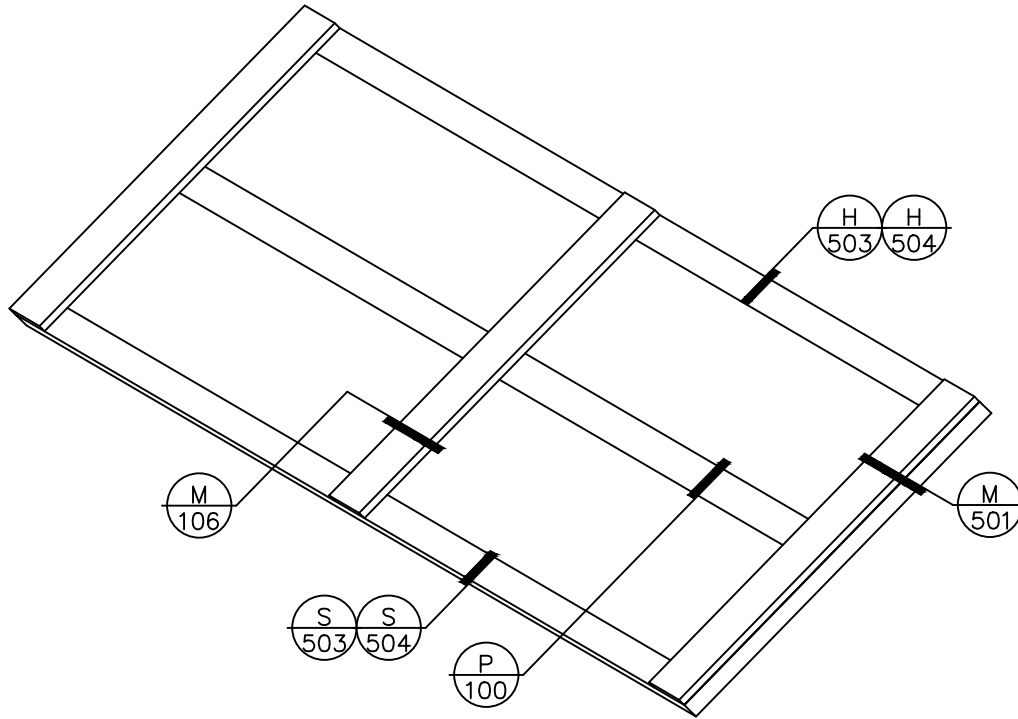


NON-STRUCTURAL SINGLE SLOPE with SUPPORT TUBES

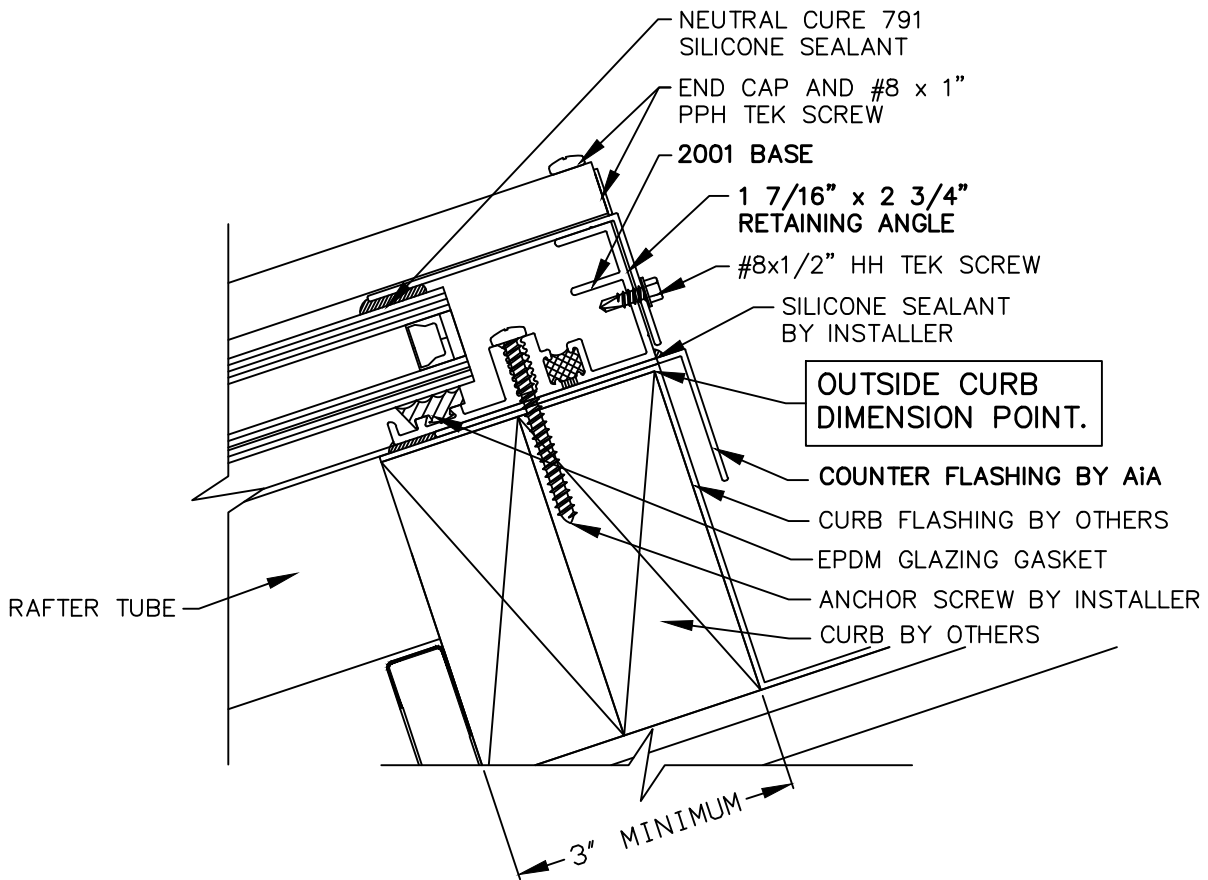


An AiA Industries Company

290 East 56th Avenue
Denver, CO 80216
(303) 296-9696
Fax (303) 296-2146

2001 NON-STRUCTURAL
SINGLE SLOPE
with SUPPORT TUBES

**PLAN
ISO**

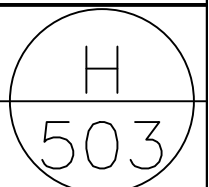


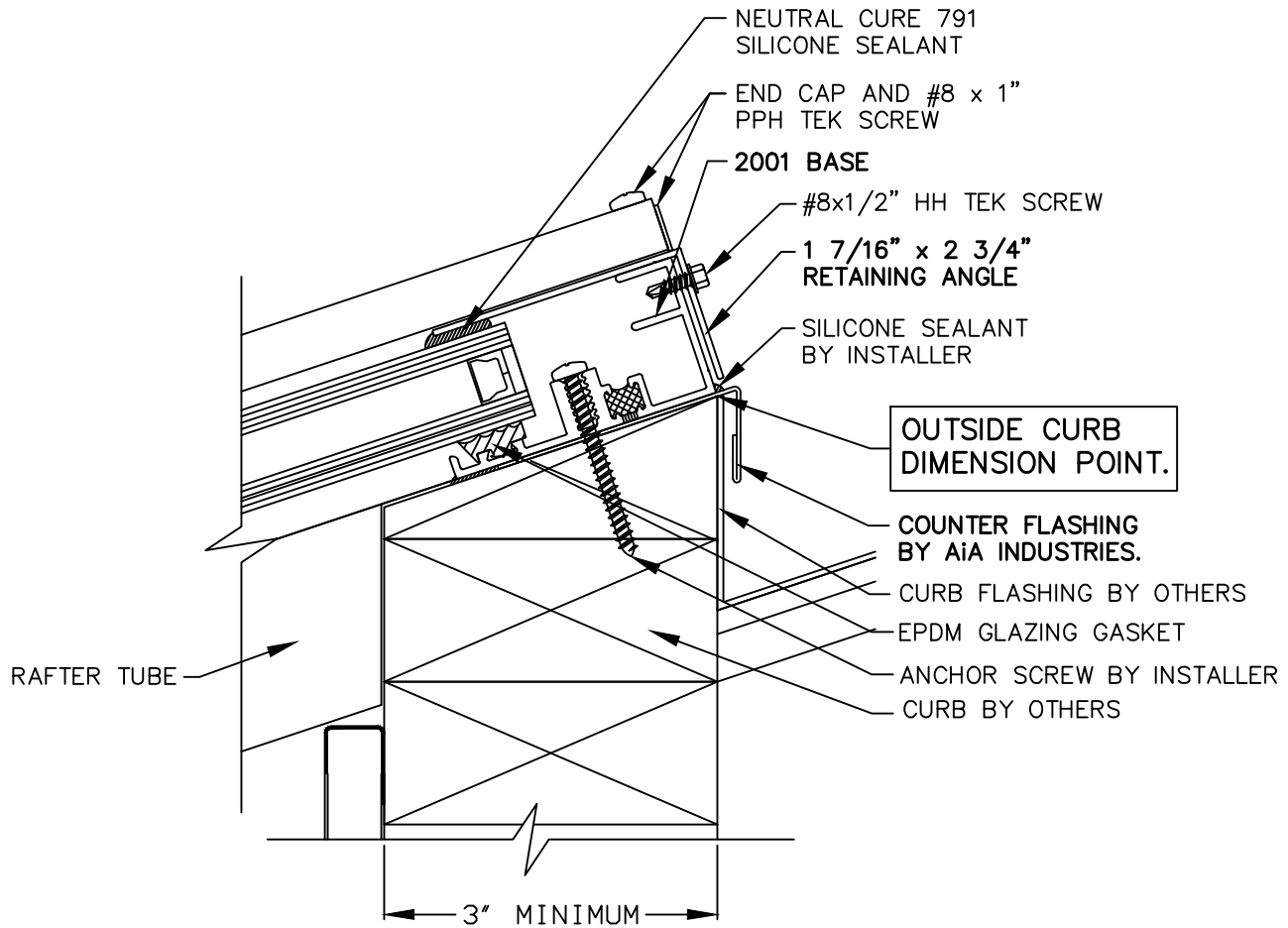
An AiA Industries Company

290 East 56th Avenue
 Denver, CO 80216
 (303) 296-9696
 Fax (303) 296-2146

SINGLE SLOPE
 with SUPPORT TUBES

HEAD



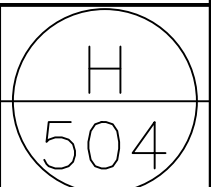


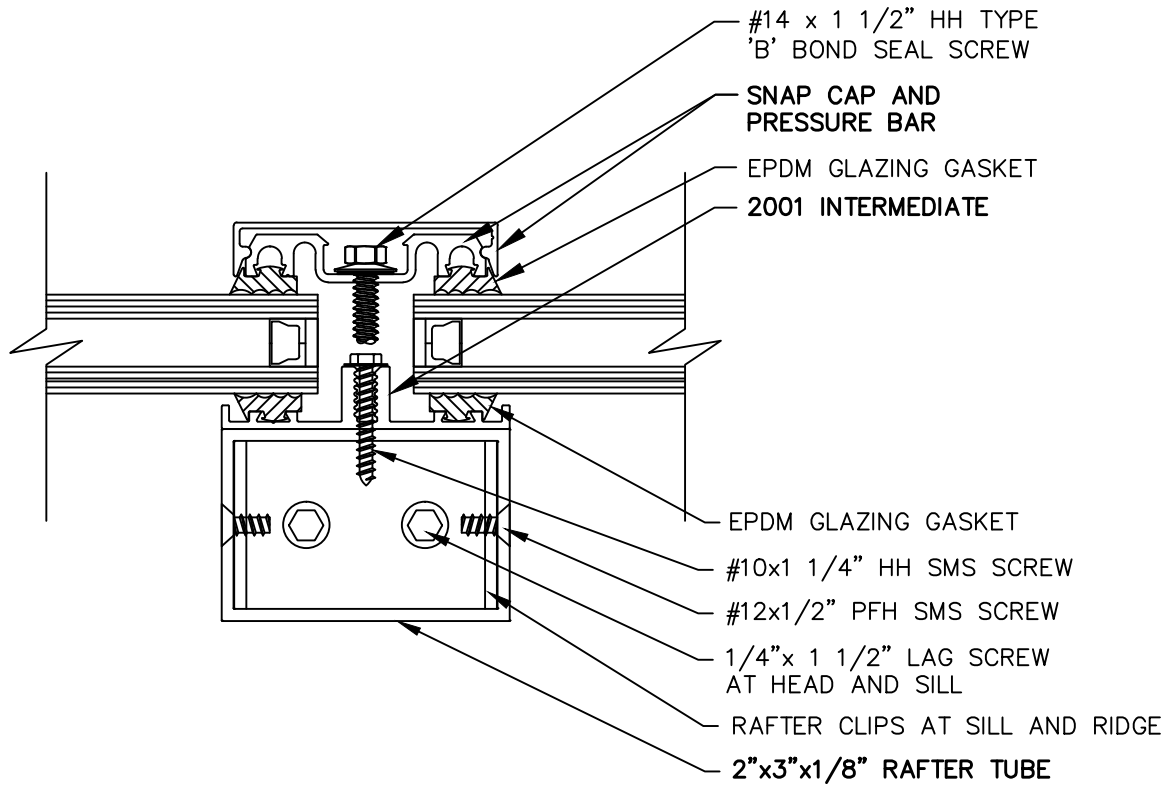
An AiA Industries Company

290 East 56th Avenue
 Denver, CO 80216
 (303) 296-9696
 Fax (303) 296-2146

SINGLE SLOPE
 with SUPPORT TUBES

HEAD



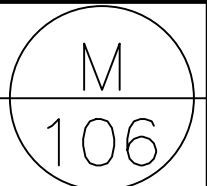


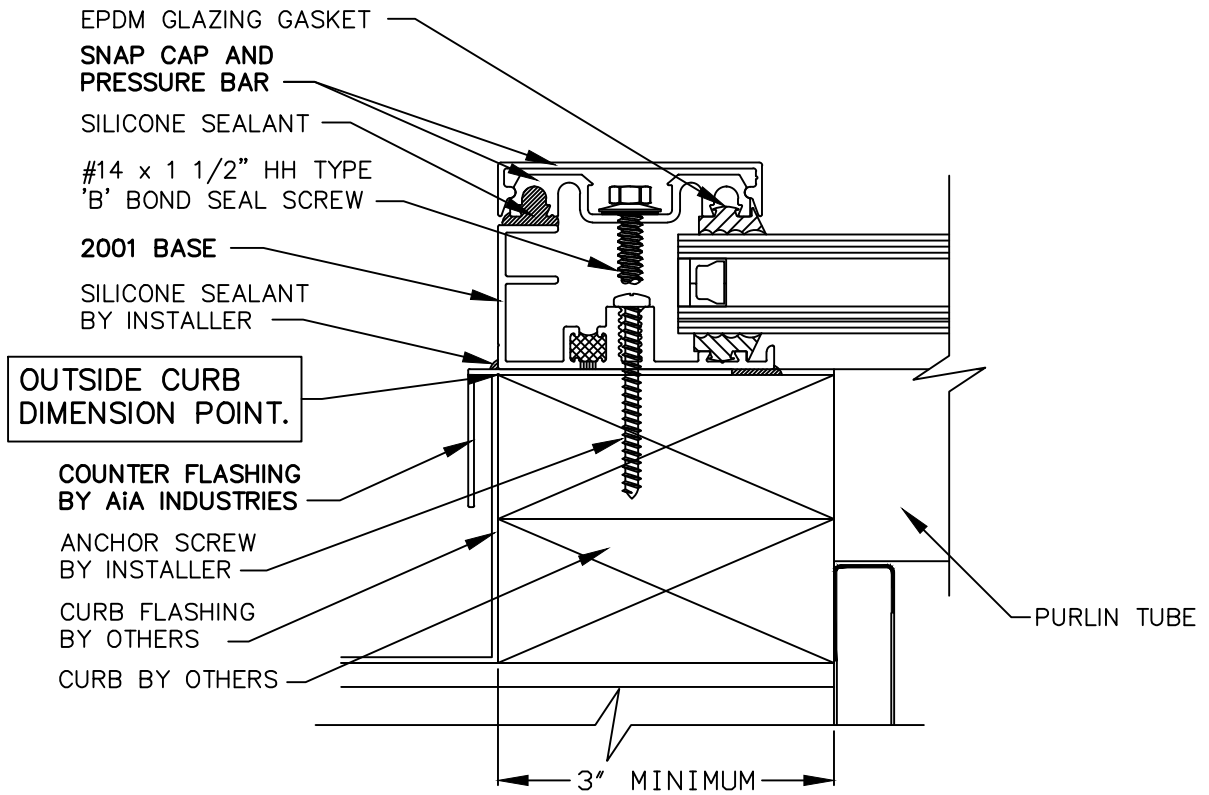
An AiA Industries Company

290 East 56th Avenue
 Denver, CO 80216
 (303) 296-9696
 Fax (303) 296-2146

SINGLE SLOPE
 with SUPPORT TUBES

RAFTER

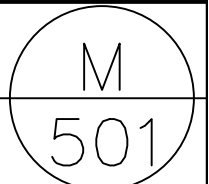




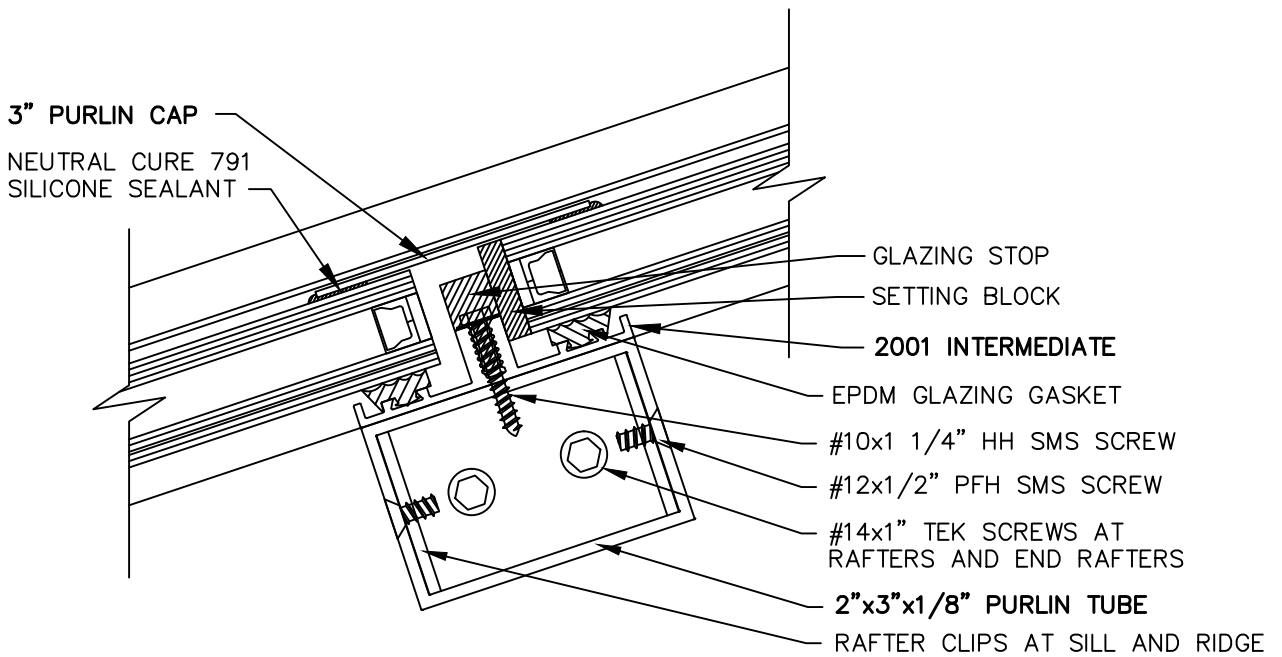
An AiA Industries Company

290 East 56th Avenue
 Denver, CO 80216
 (303) 296-9696
 Fax (303) 296-2146

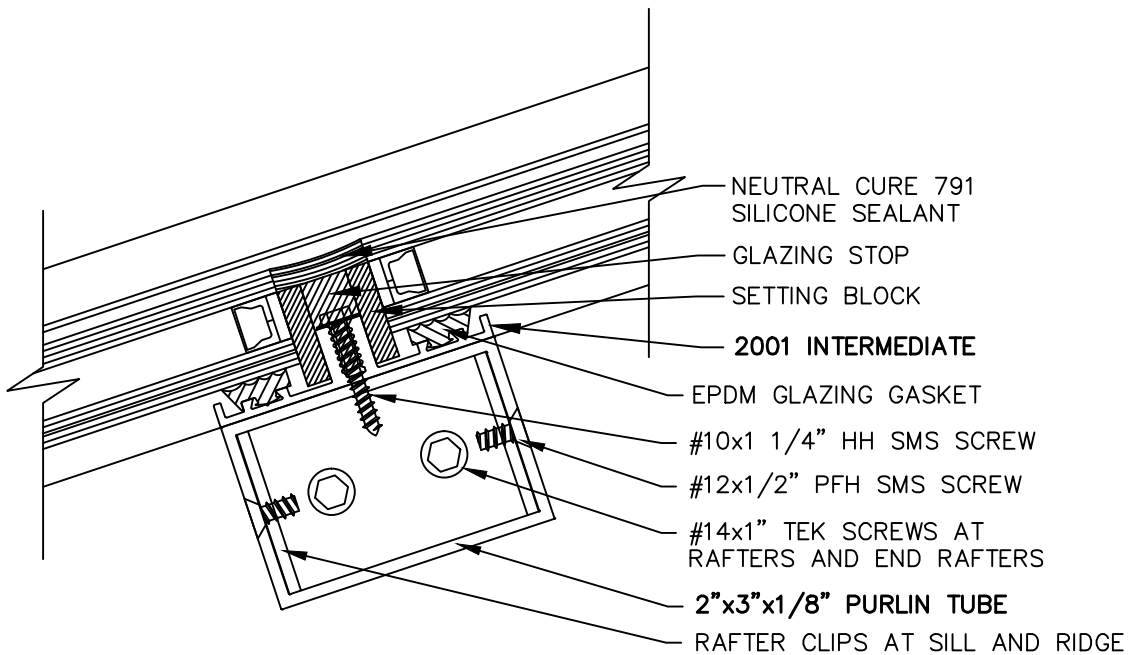
SINGLE SLOPE
 with SUPPORT TUBES
END RAFTER



**STANDARD PURLIN
WITH FLAT COVER**



**BUTT GLAZED
PURLIN OPTION**

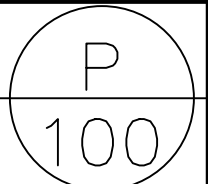


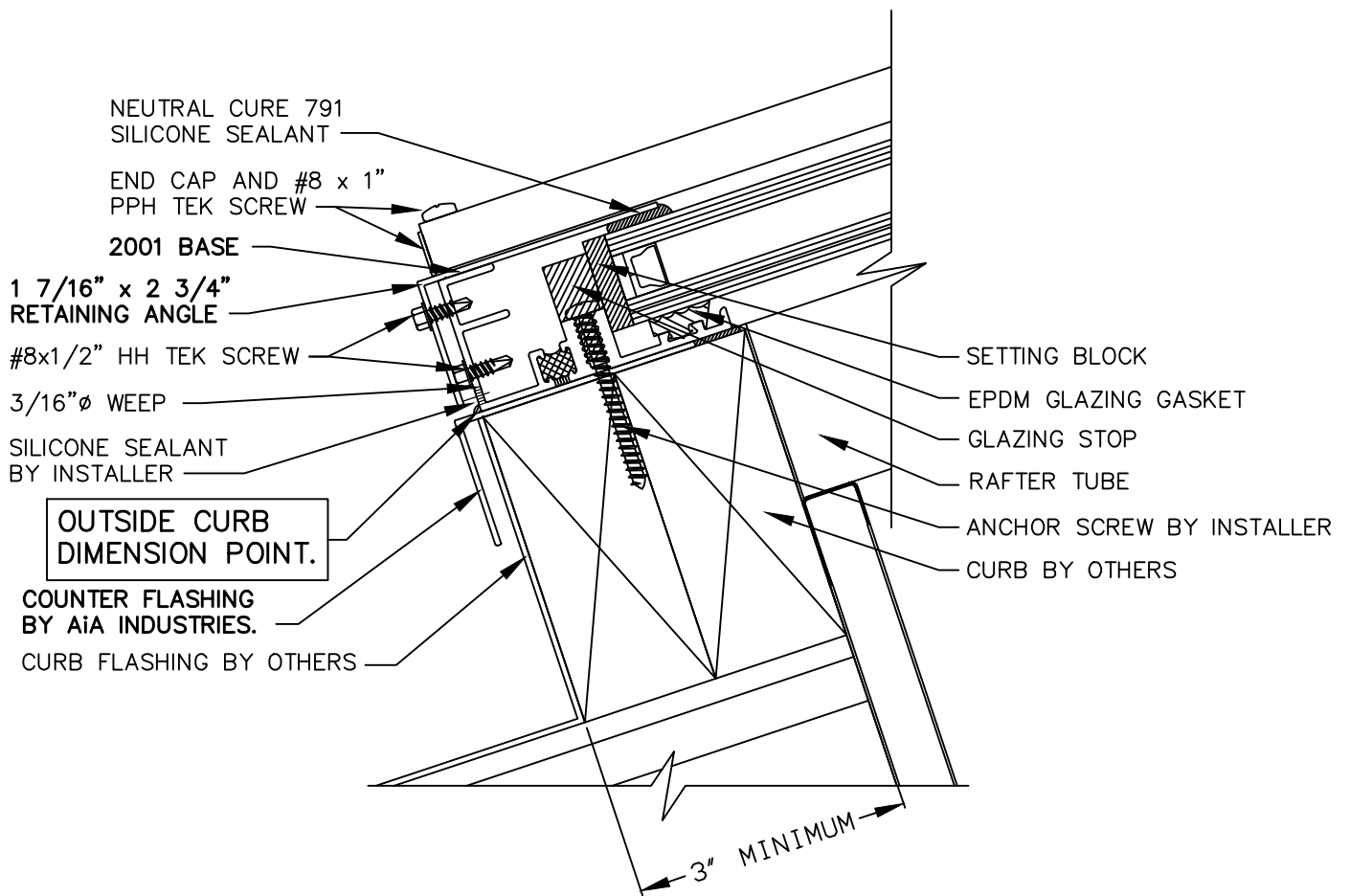
An AiA Industries Company

290 East 56th Avenue
Denver, CO 80216
(303) 296-9696
Fax (303) 296-2146

**SINGLE SLOPE
with SUPPORT TUBES**

PURLIN



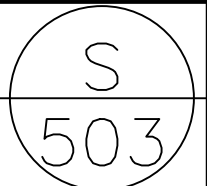


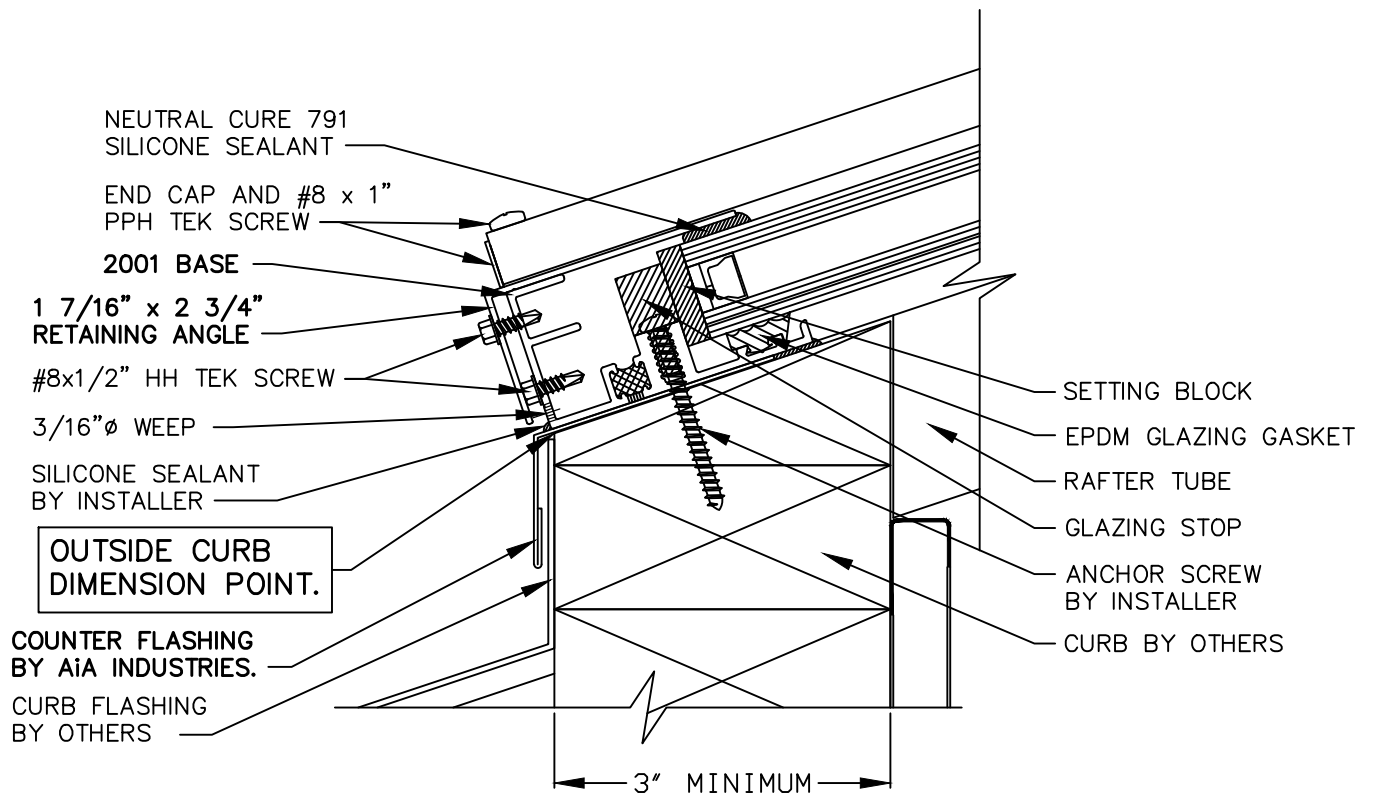
An AiA Industries Company

290 East 56th Avenue
Denver, CO 80216
(303) 296-9696
Fax (303) 296-2146

SINGLE SLOPE
with SUPPORT TUBES

SILL





DALYTE

An AiA Industries Company

290 East 56th Avenue
 Denver, CO 80216
 (303) 296-9696
 Fax (303) 296-2146

SINGLE SLOPE
 with SUPPORT TUBES

SILL

S
 504