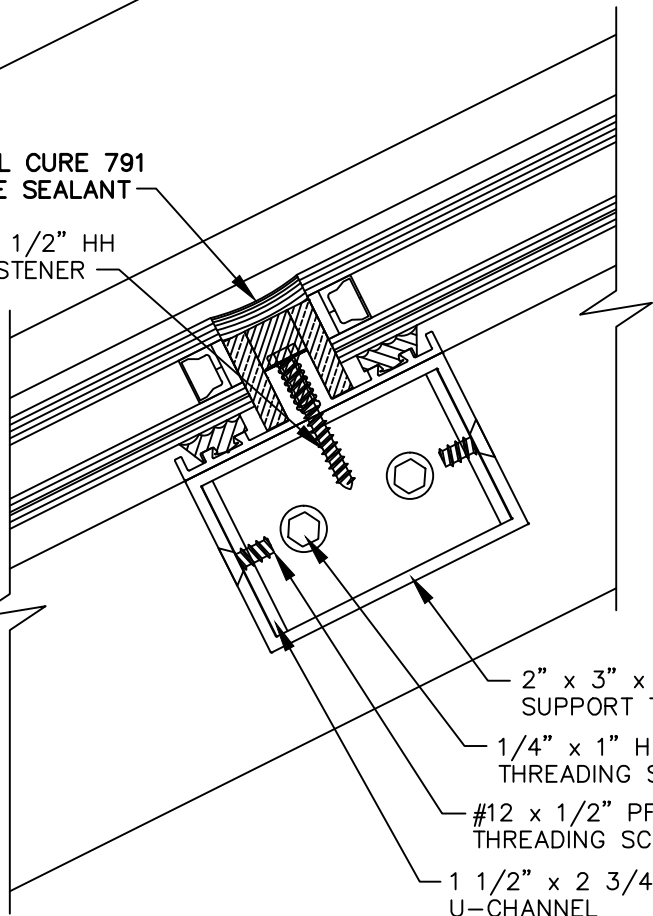


STANDARD PURLIN WITH FLAT COVER

- 1/8" FLAT COVER
- NEUTRAL CURE 791 SILICONE SEALANT
- #14x1 1/2" HH TYPE 'B' SCREW AND BOND SEAL WASHER
- SETTING BLOCK
- GLAZING STOP
- #10 x 1 1/2" HH SMS FASTENER
- EPDM GLAZING GASKET
- 2001 INTERMEDIATE

- NEUTRAL CURE 791 SILICONE SEALANT
- #10 x 1 1/2" HH SMS FASTENER

BUTT GLAZED PURLIN OPTION



- 2" x 3" x 1/8" ALUMINUM SUPPORT TUBE
- 1/4" x 1" HH SELF THREADING SCREW
- #12 x 1/2" PFH SELF THREADING SCREW
- 1 1/2" x 2 3/4" x 1/8" U-CHANNEL



An AiA Industries Company

290 East 56th Avenue  
 Denver, CO 80216  
 (303) 296-9696  
 Fax (303) 296-2146

2010 STRUCTURAL  
 PURLIN

