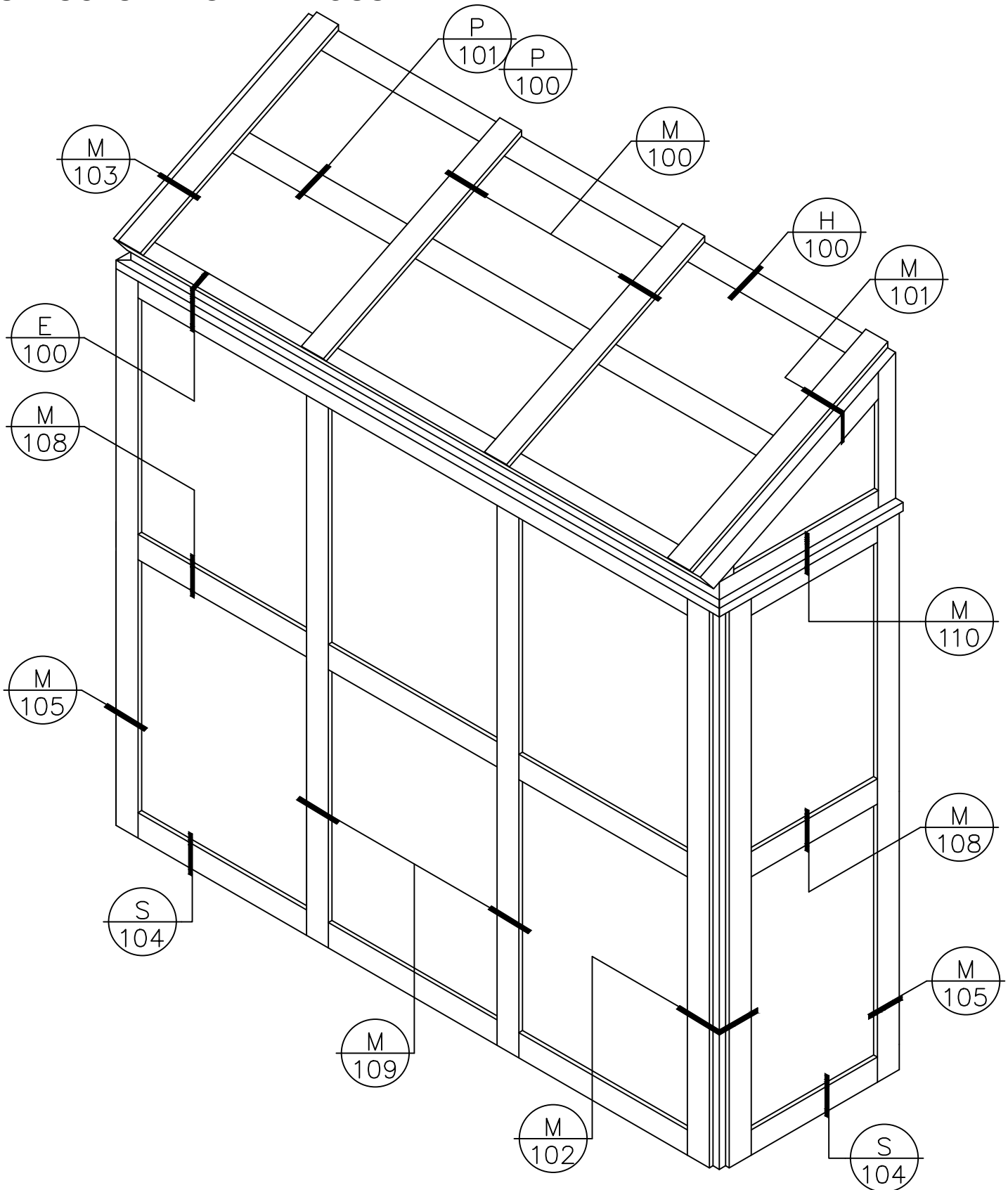


# STRUCTURAL GREENHOUSE

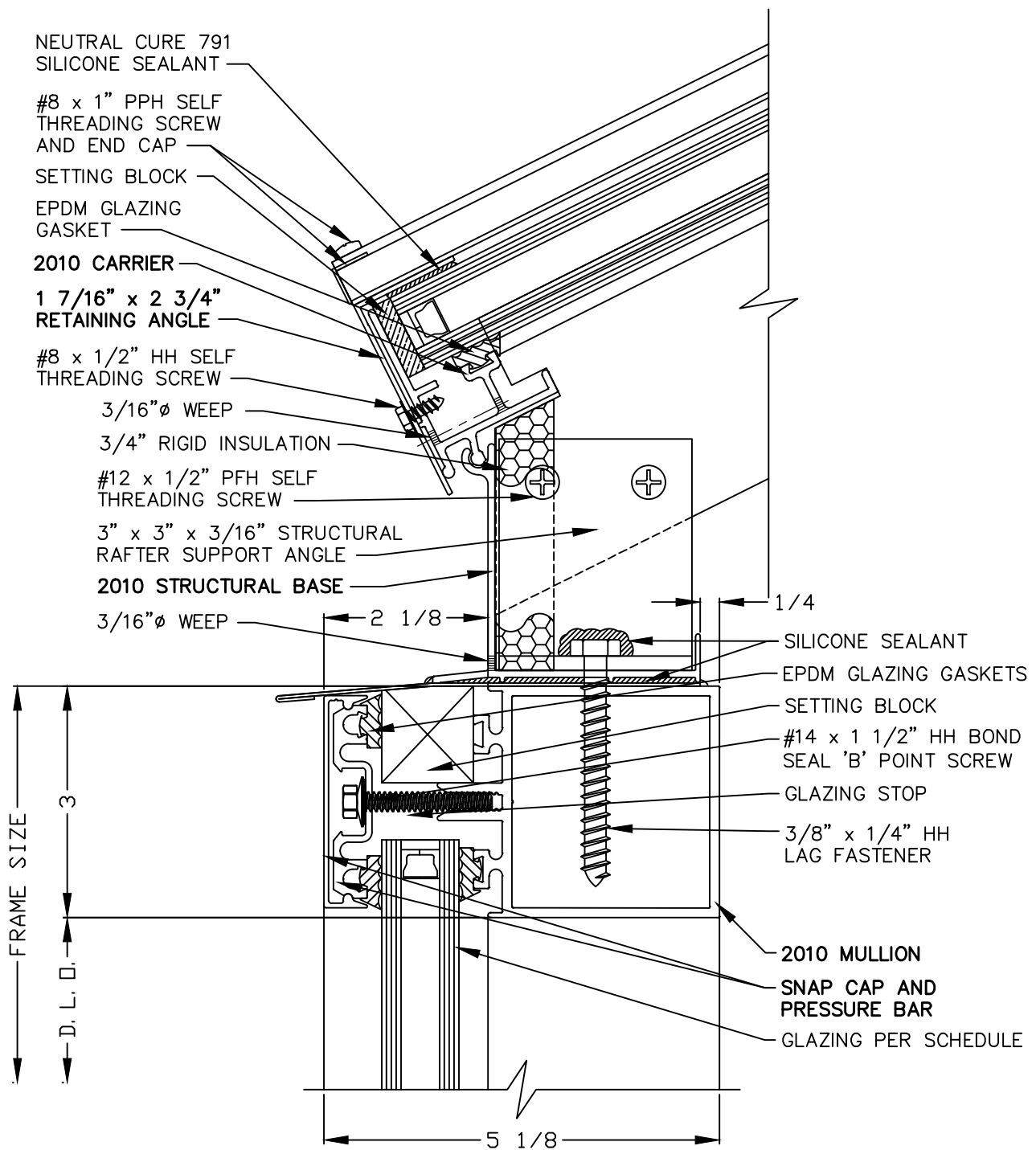


An AiA Industries Company

290 East 56th Avenue  
Denver, CO 80216  
(303) 296-9696  
Fax (303) 296-2146

2010 STRUCTURAL  
GREENHOUSE

PLAN  
ISO

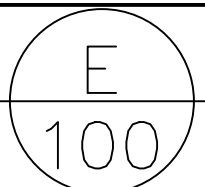


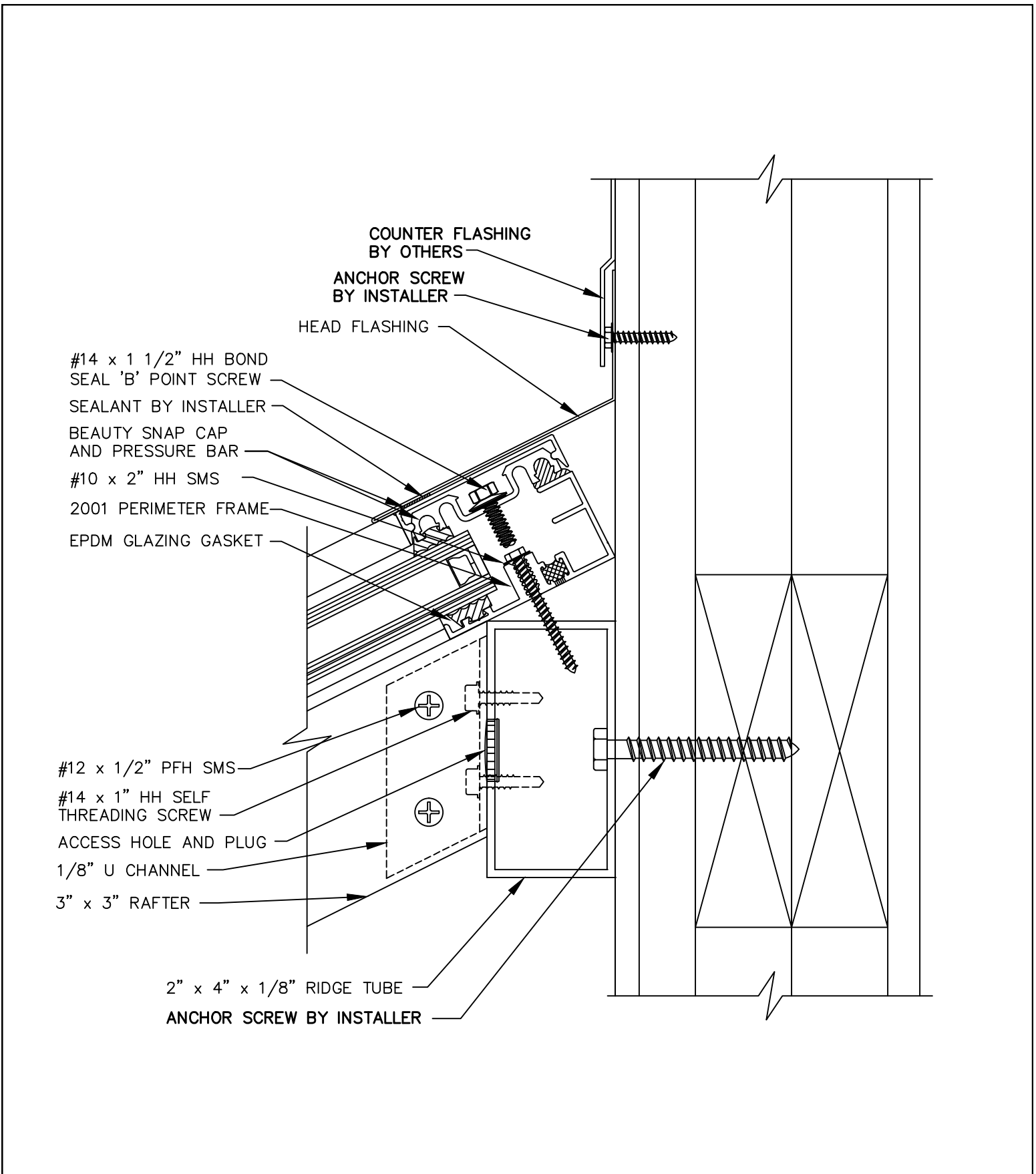
An AiA Industries Company

290 East 56th Avenue  
 Denver, CO 80216  
 (303) 296-9696  
 Fax (303) 296-2146

2010 STRUCTURAL

EAVE



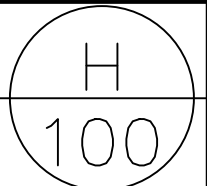


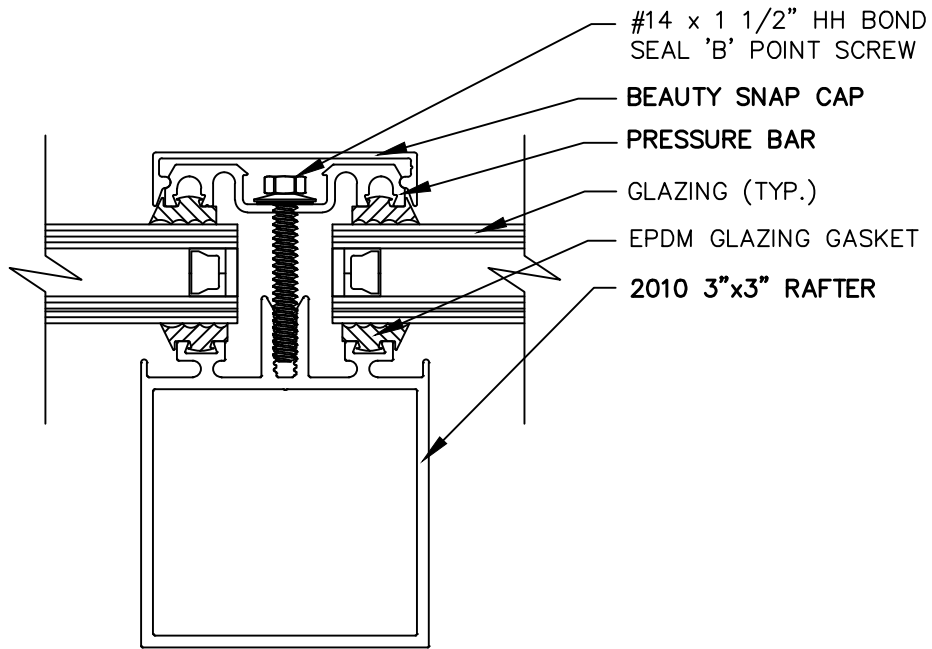
An AiA Industries Company

290 East 56th Avenue  
 Denver, CO 80216  
 (303) 296-9696  
 Fax (303) 296-2146

2010 STRUCTURAL

HEAD

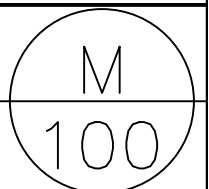


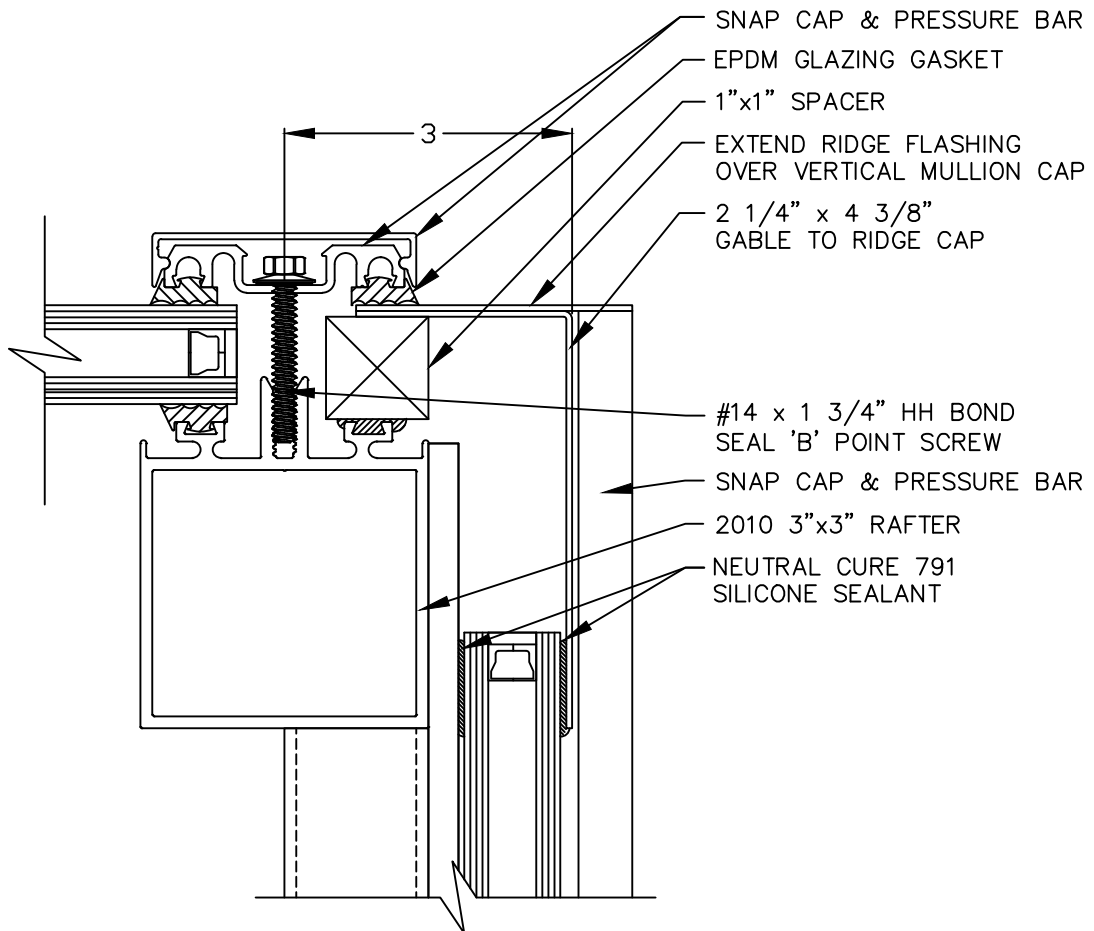


An AiA Industries Company

290 East 56th Avenue  
Denver, CO 80216  
(303) 296-9696  
Fax (303) 296-2146

2010 STRUCTURAL  
RAFTER



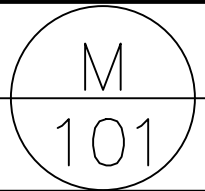


- SNAP CAP & PRESSURE BAR
- EPDM GLAZING GASKET
- 1"x1" SPACER
- EXTEND RIDGE FLASHING OVER VERTICAL MULLION CAP
- 2 1/4" x 4 3/8" GABLE TO RIDGE CAP
- #14 x 1 3/4" HH BOND SEAL 'B' POINT SCREW
- SNAP CAP & PRESSURE BAR
- 2010 3"x3" RAFTER
- NEUTRAL CURE 791 SILICONE SEALANT



290 East 56th Avenue  
 Denver, CO 80216  
 (303) 296-9696  
 Fax (303) 296-2146

2010 STRUCTURAL  
**GABLE END RAFTER**



EPDM GLAZING GASKET

3" X 3" MULLION

#14 x 1 3/4" HH BOND  
SEAL 'B' POINT SCREW

#10 x 1 1/2" SS PPH SMS

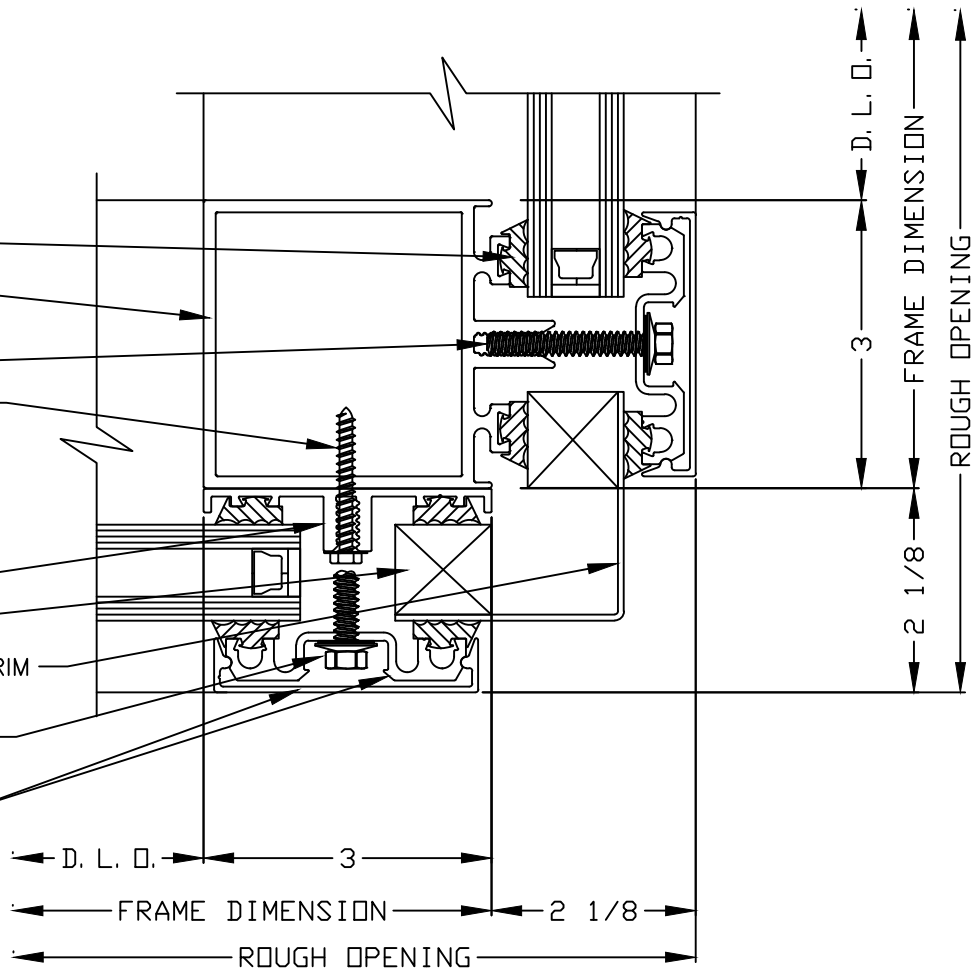
2001 PERIMETER

1" SPACER

CORNER BRAKE METAL TRIM

#14 x 1 3/4" HH BOND  
SEAL 'B' POINT SCREW

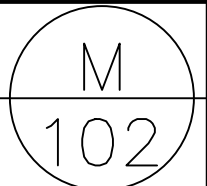
BEAUTY SNAP CAP  
AND PRESSURE BAR

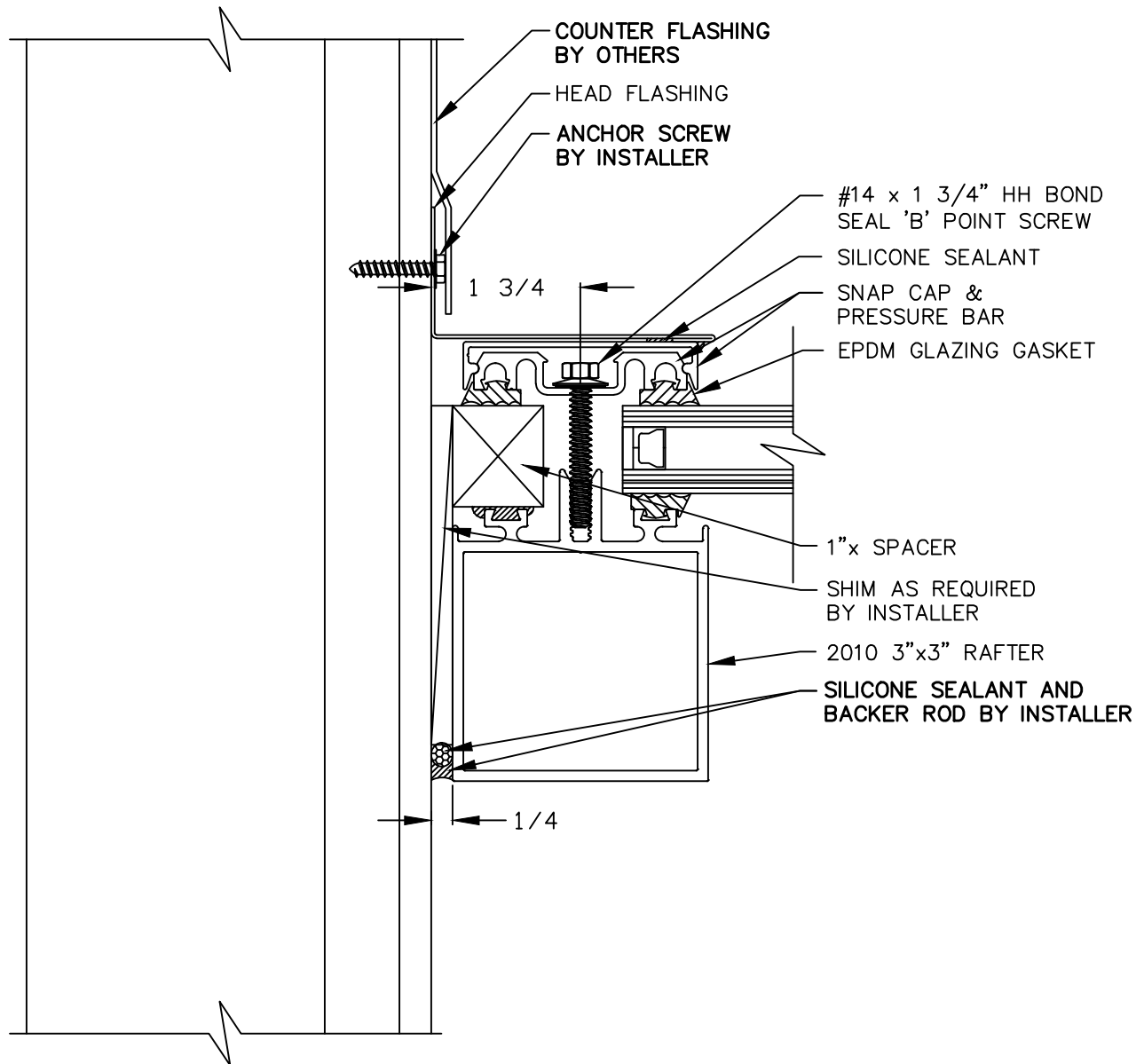


An AiA Industries Company

290 East 56th Avenue  
Denver, CO 80216  
(303) 296-9696  
Fax (303) 296-2146

2010 STRUCTURAL  
CORNER MULLION

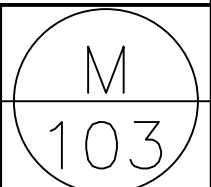


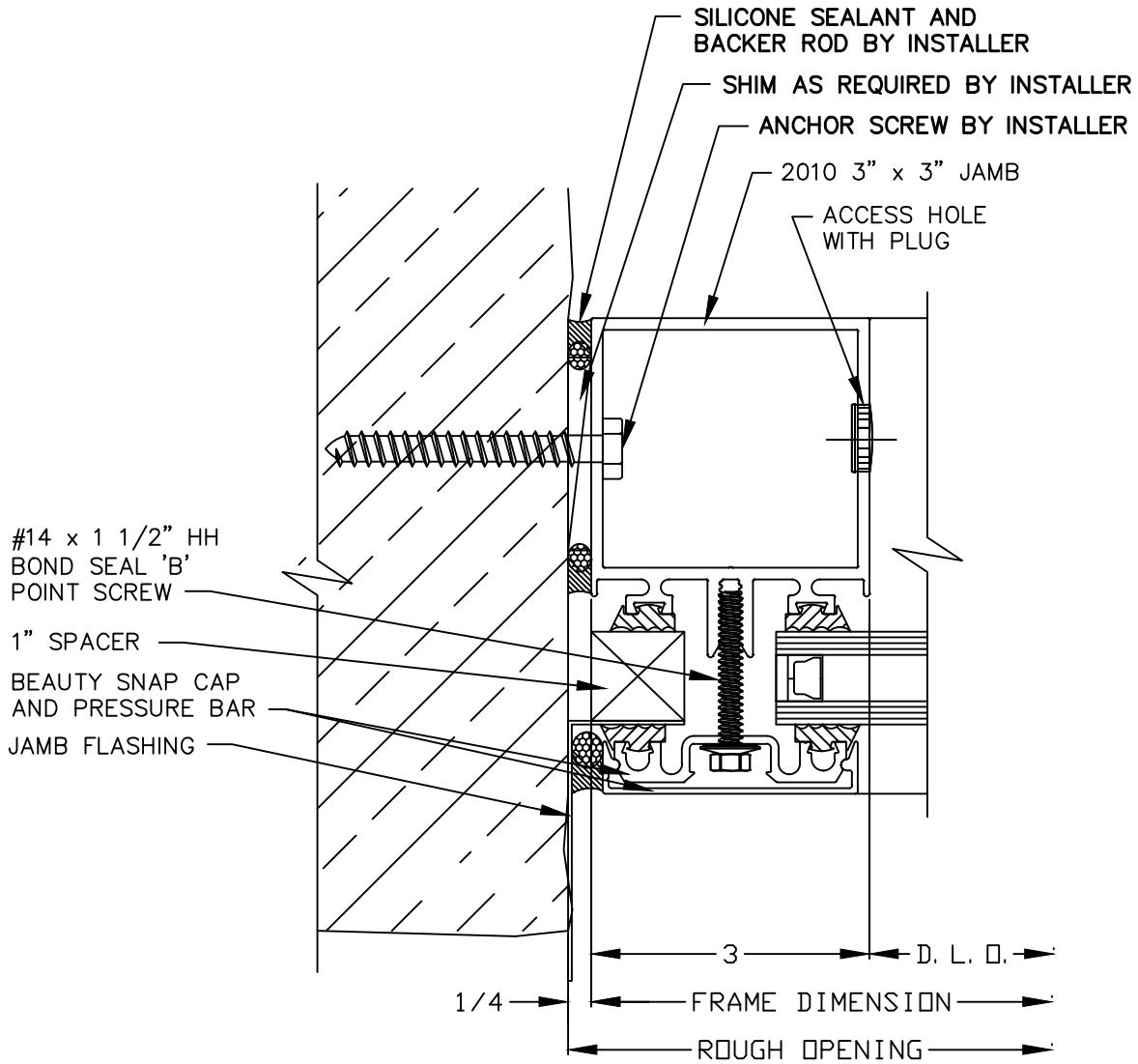


An AiA Industries Company

290 East 56th Avenue  
 Denver, CO 80216  
 (303) 296-9696  
 Fax (303) 296-2146

2010 STRUCTURAL  
 END RAFTER

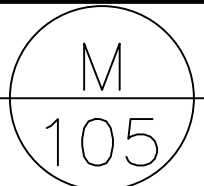




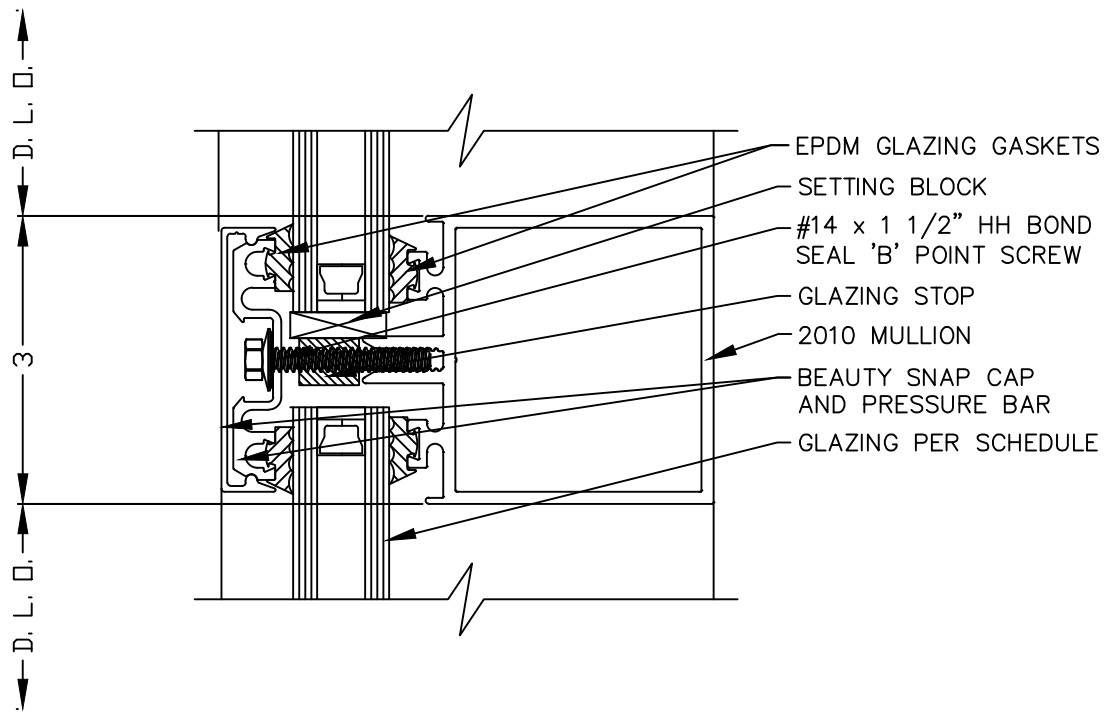
An AiA Industries Company

290 East 56th Avenue  
 Denver, CO 80216  
 (303) 296-9696  
 Fax (303) 296-2146

2010 STRUCTURAL  
**JAMB**



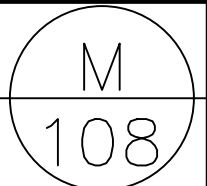


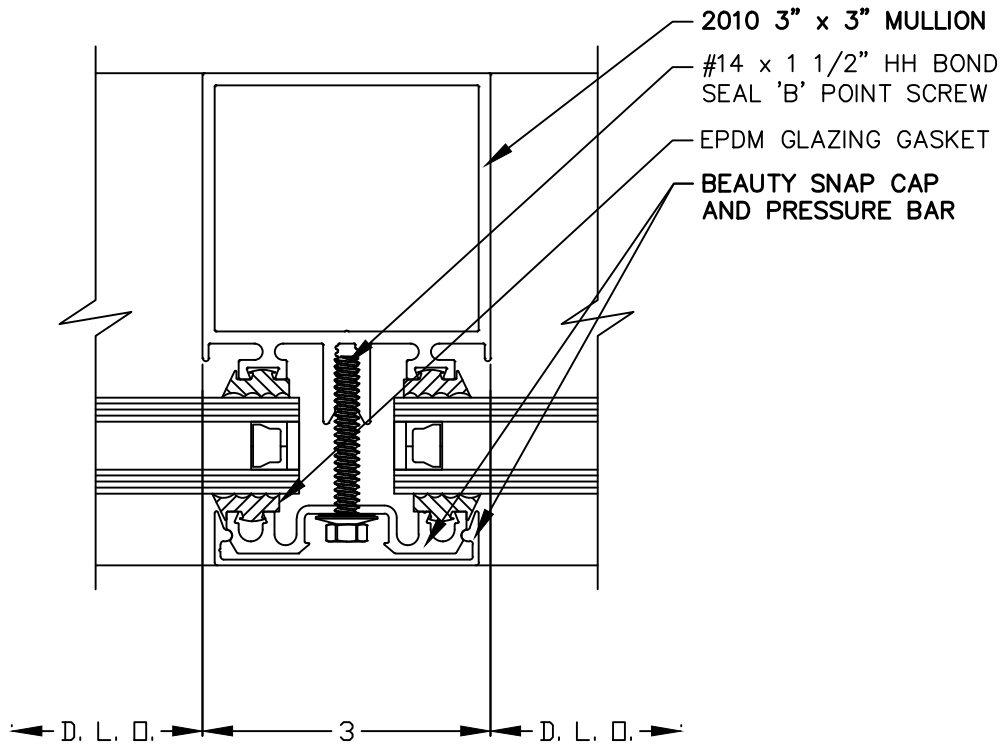


An AiA Industries Company

290 East 56th Avenue  
 Denver, CO 80216  
 (303) 296-9696  
 Fax (303) 296-2146

2010 STRUCTURAL  
 HORIZONTAL  
 MULLION

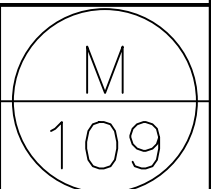


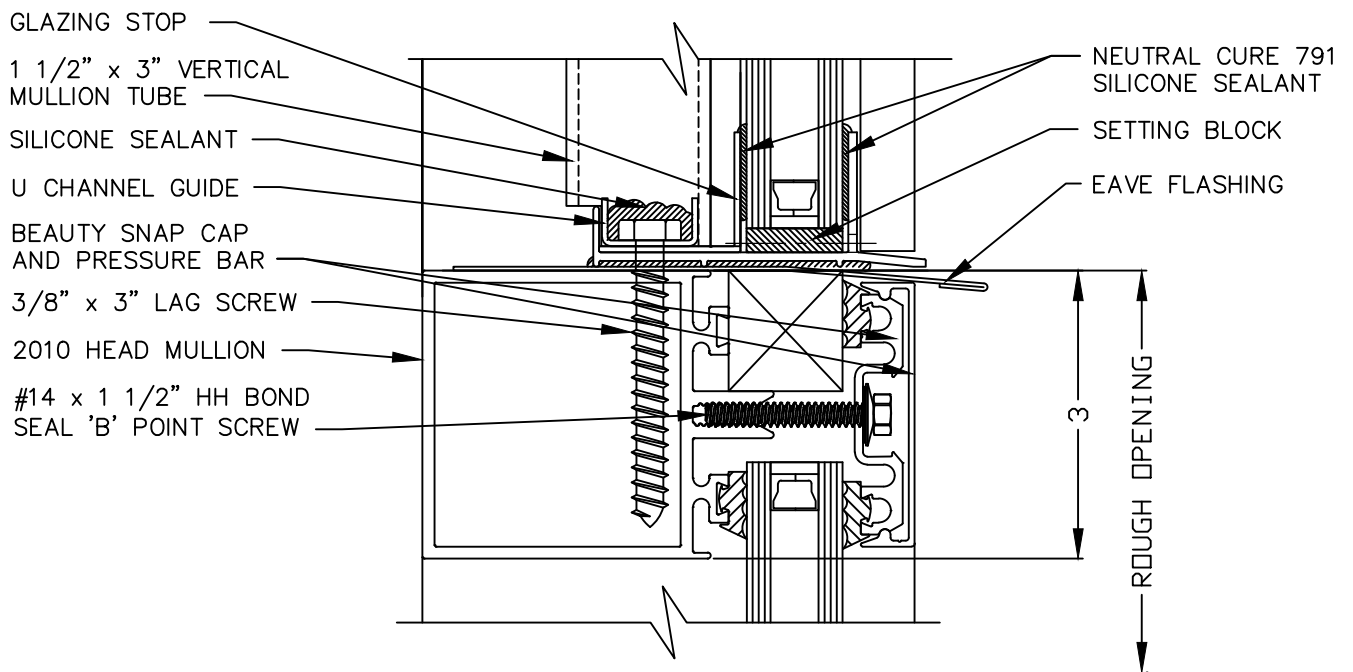


An AiA Industries Company

290 East 56th Avenue  
 Denver, CO 80216  
 (303) 296-9696  
 Fax (303) 296-2146

2010 STRUCTURAL  
 VERTICAL  
 MULLION

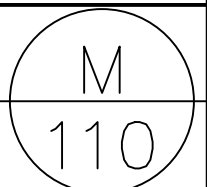


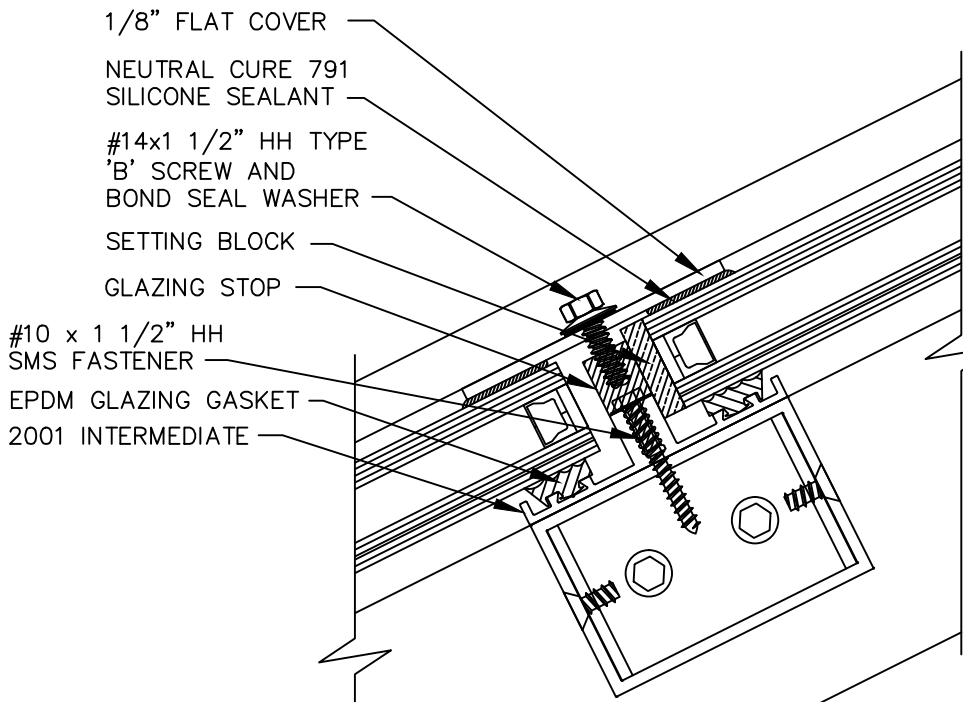


An AiA Industries Company

290 East 56th Avenue  
 Denver, CO 80216  
 (303) 296-9696  
 Fax (303) 296-2146

2010 STRUCTURAL  
 GABLE END MULLION



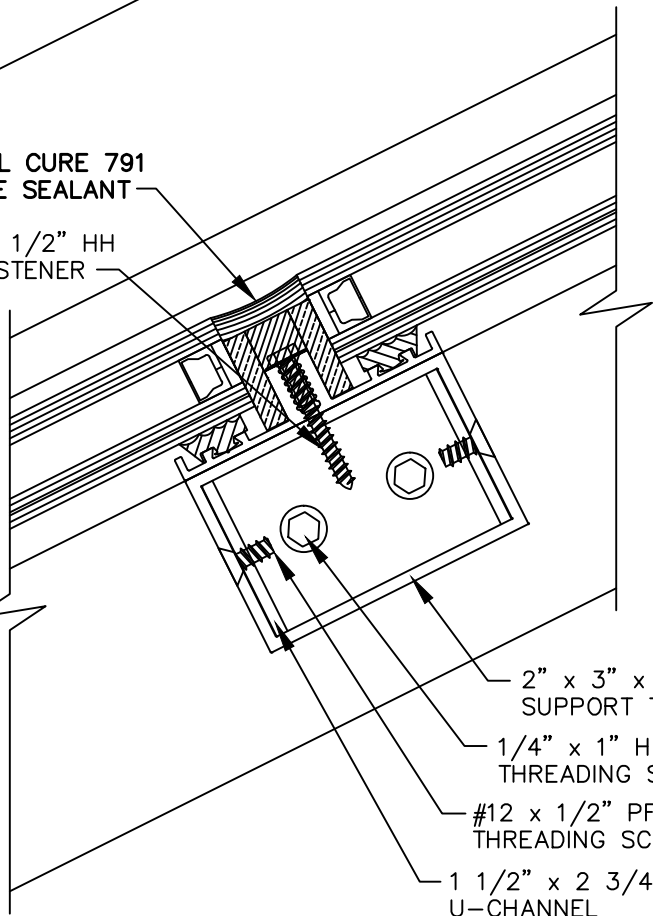


STANDARD PURLIN WITH FLAT COVER

- 1/8" FLAT COVER
- NEUTRAL CURE 791 SILICONE SEALANT
- #14x1 1/2" HH TYPE 'B' SCREW AND BOND SEAL WASHER
- SETTING BLOCK
- GLAZING STOP
- #10 x 1 1/2" HH SMS FASTENER
- EPDM GLAZING GASKET
- 2001 INTERMEDIATE

- NEUTRAL CURE 791 SILICONE SEALANT
- #10 x 1 1/2" HH SMS FASTENER

BUTT GLAZED PURLIN OPTION



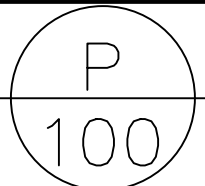
- 2" x 3" x 1/8" ALUMINUM SUPPORT TUBE
- 1/4" x 1" HH SELF THREADING SCREW
- #12 x 1/2" PFH SELF THREADING SCREW
- 1 1/2" x 2 3/4" x 1/8" U-CHANNEL



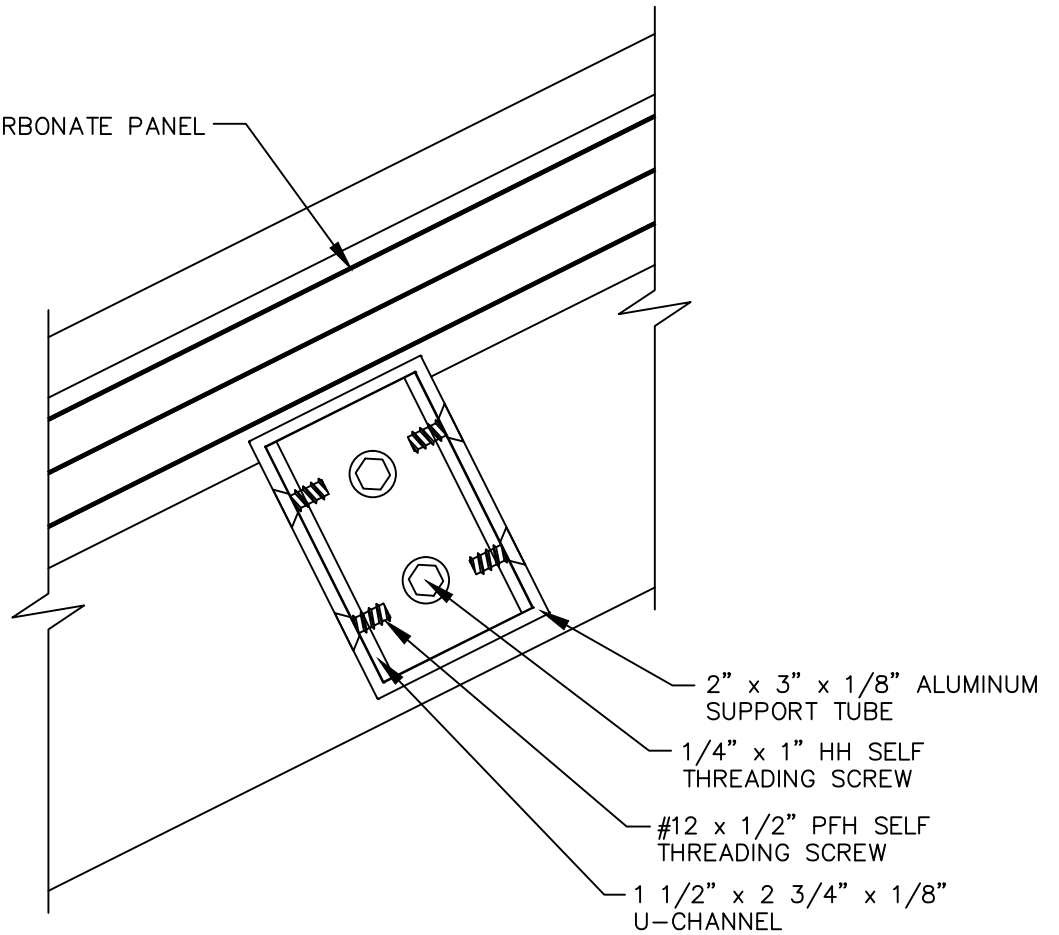
An AiA Industries Company

290 East 56th Avenue  
 Denver, CO 80216  
 (303) 296-9696  
 Fax (303) 296-2146

2010 STRUCTURAL  
 PURLIN



POLYCARBONATE PANEL



FOR MULTIWALL  
POLYCARBONATE PANELS ONLY

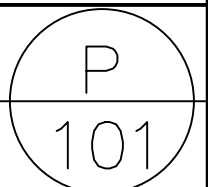


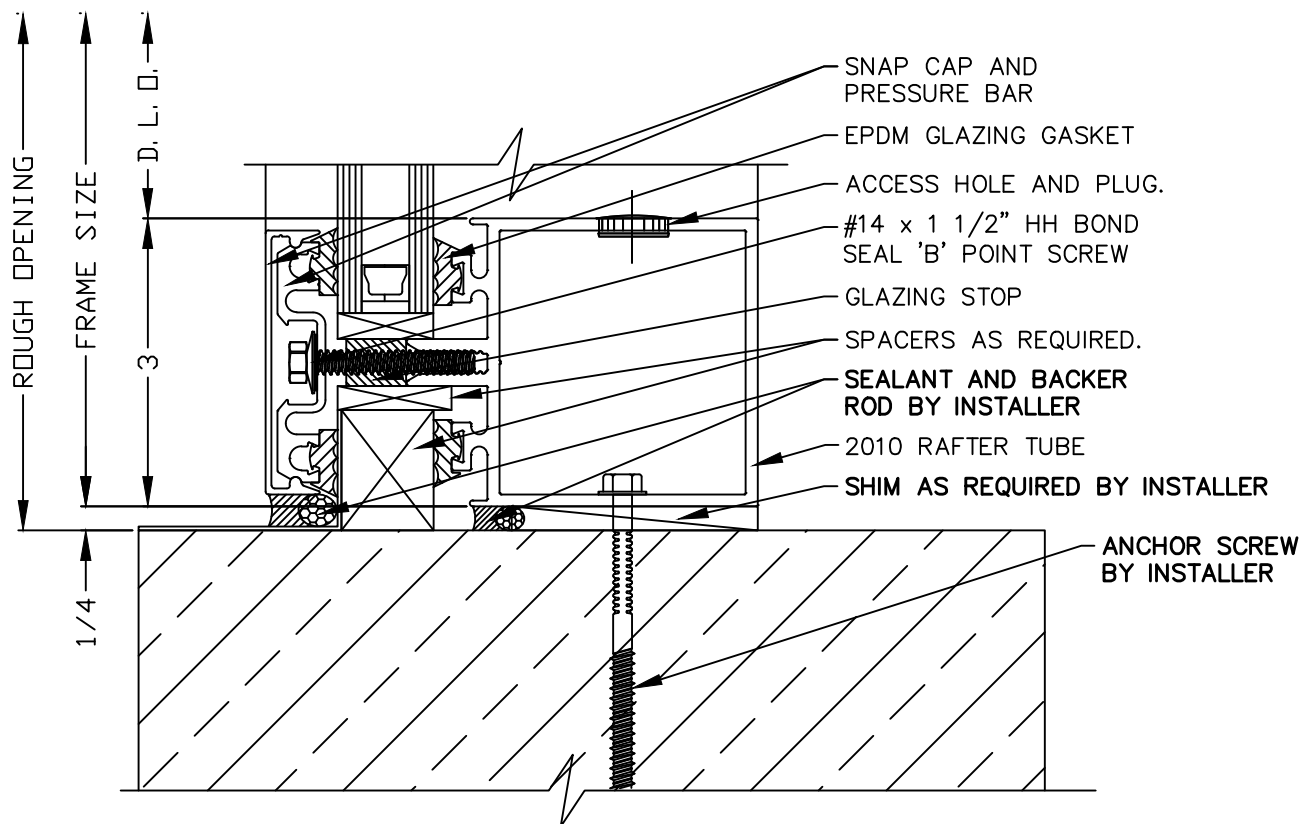
An AiA Industries Company

290 East 56th Avenue  
Denver, CO 80216  
(303) 296-9696  
Fax (303) 296-2146

2010 STRUCTURAL

PURLIN





An AiA Industries Company

290 East 56th Avenue  
 Denver, CO 80216  
 (303) 296-9696  
 Fax (303) 296-2146

2010 STRUCTURAL

SILL

