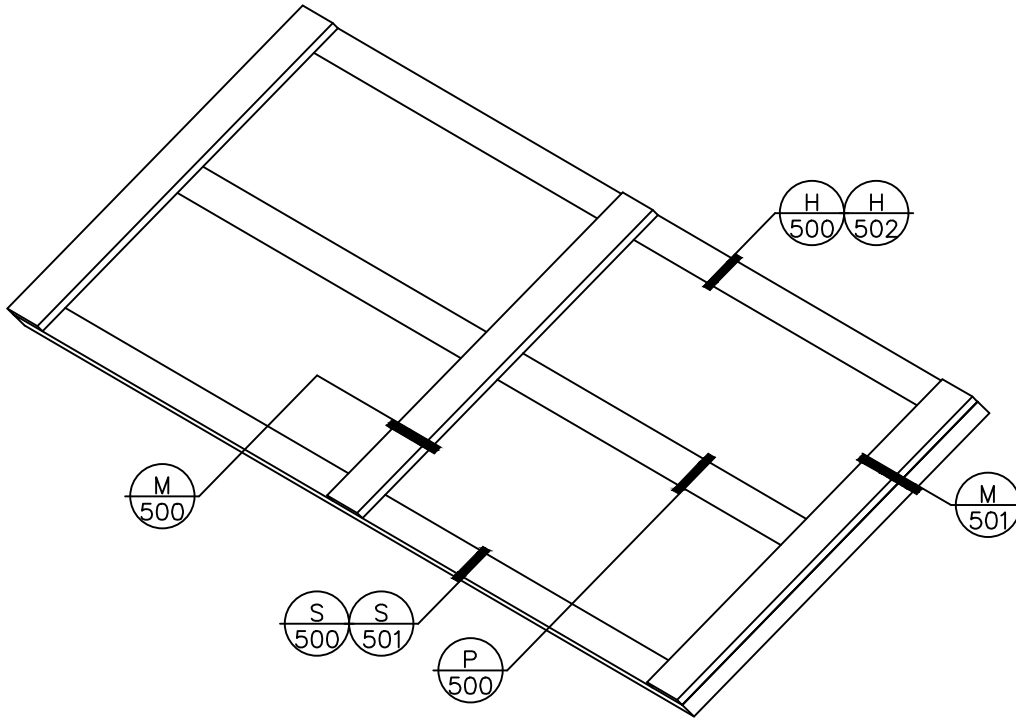


NON-STRUCTURAL SINGLE SLOPE

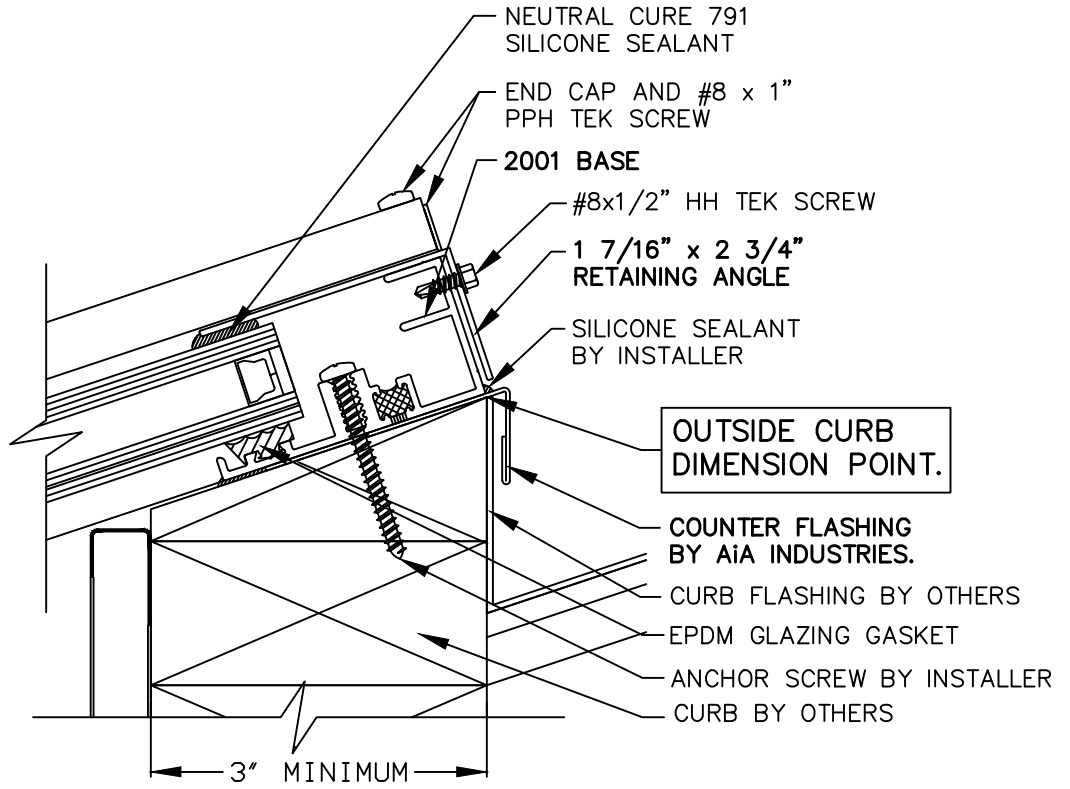


An AiA Industries Company

290 East 56th Avenue
Denver, CO 80216
(303) 296-9696
Fax (303) 296-2146

2001 NON-STRUCTURAL
SINGLE SLOPE

PLAN
ISO

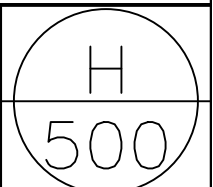


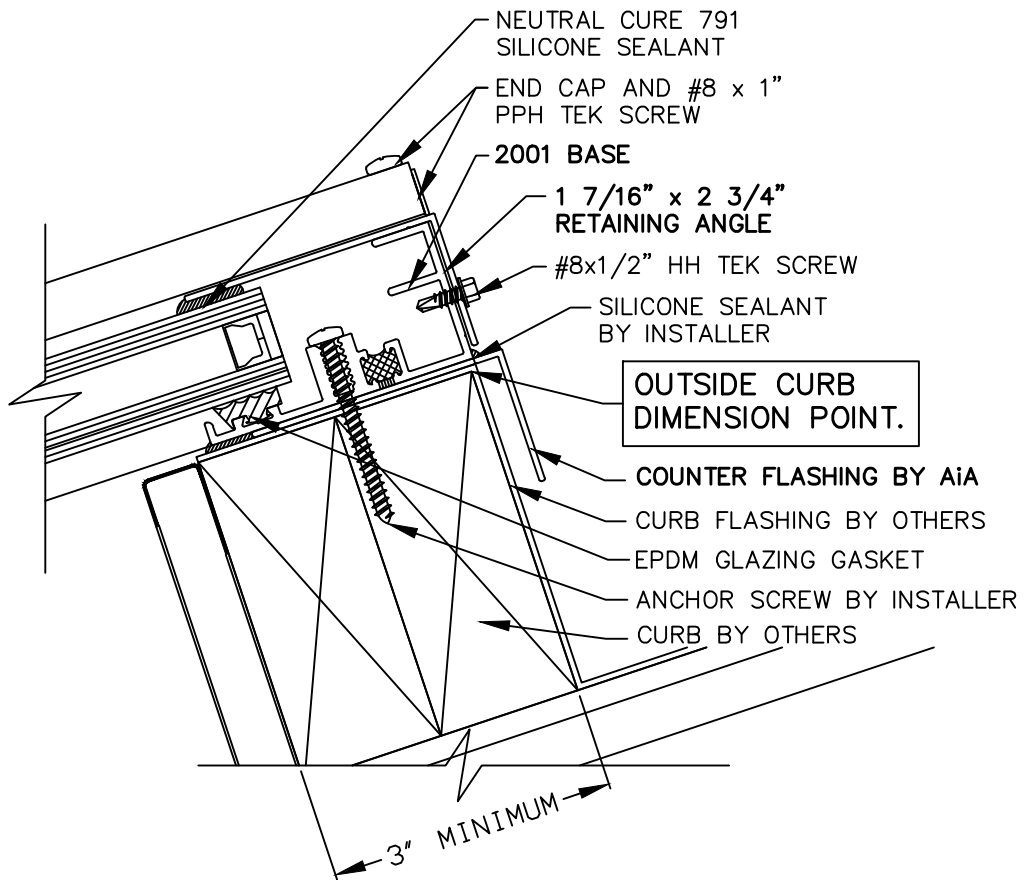
An AiA Industries Company

290 East 56th Avenue
 Denver, CO 80216
 (303) 296-9696
 Fax (303) 296-2146

2001 NON-STRUCTURAL
 SINGLE SLOPE

HEAD



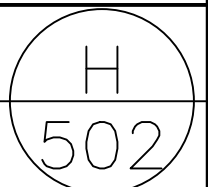


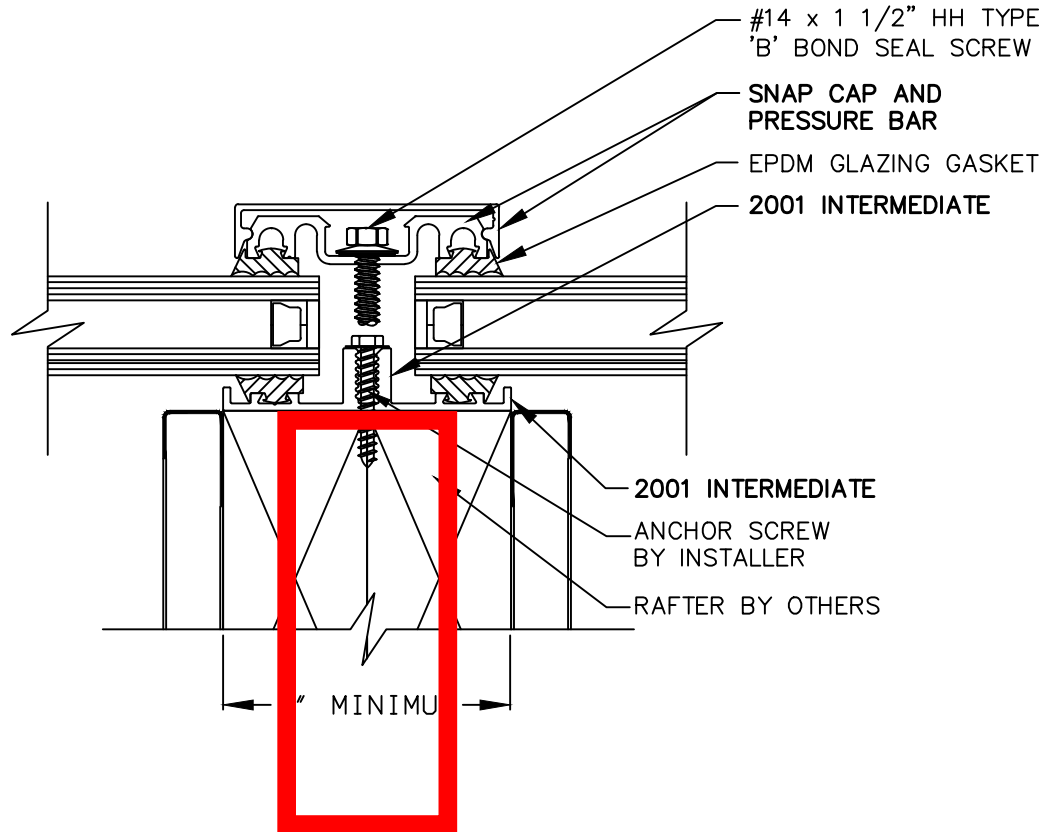
An AiA Industries Company

290 East 56th Avenue
 Denver, CO 80216
 (303) 296-9696
 Fax (303) 296-2146

2001 NON-STRUCTURAL
 SINGLE SLOPE

HEAD

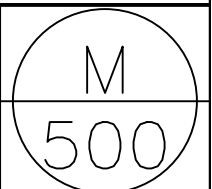


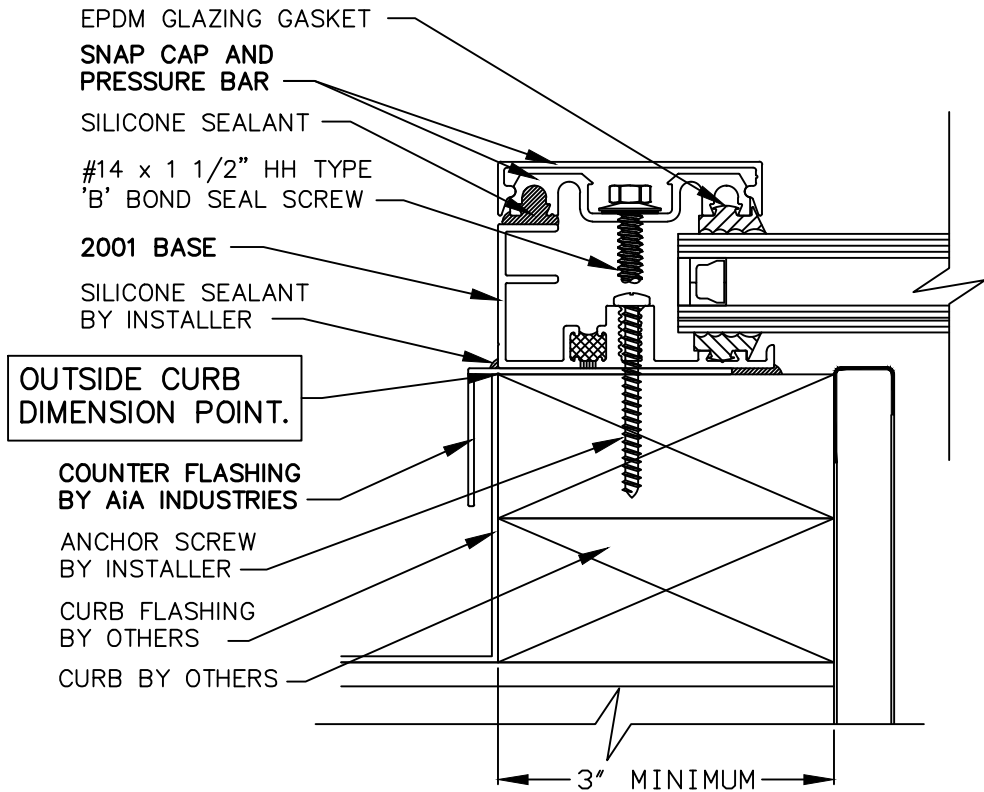


An AiA Industries Company

290 East 56th Avenue
Denver, CO 80216
(303) 296-9696
Fax (303) 296-2146

2001 NON-STRUCTURAL
SINGLE SLOPE
RAFTER



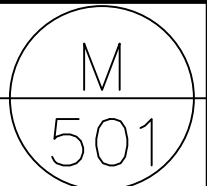


An AiA Industries Company

290 East 56th Avenue
 Denver, CO 80216
 (303) 296-9696
 Fax (303) 296-2146

2001 NON-STRUCTURAL
 SINGLE SLOPE

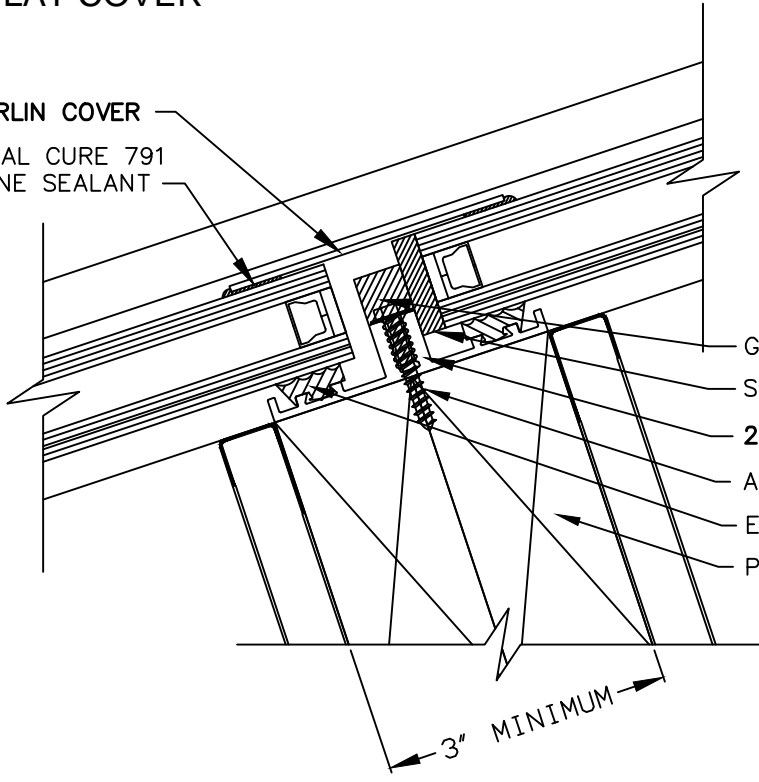
END RAFTER



**STANDARD PURLIN
WITH FLAT COVER**

3" PURLIN COVER

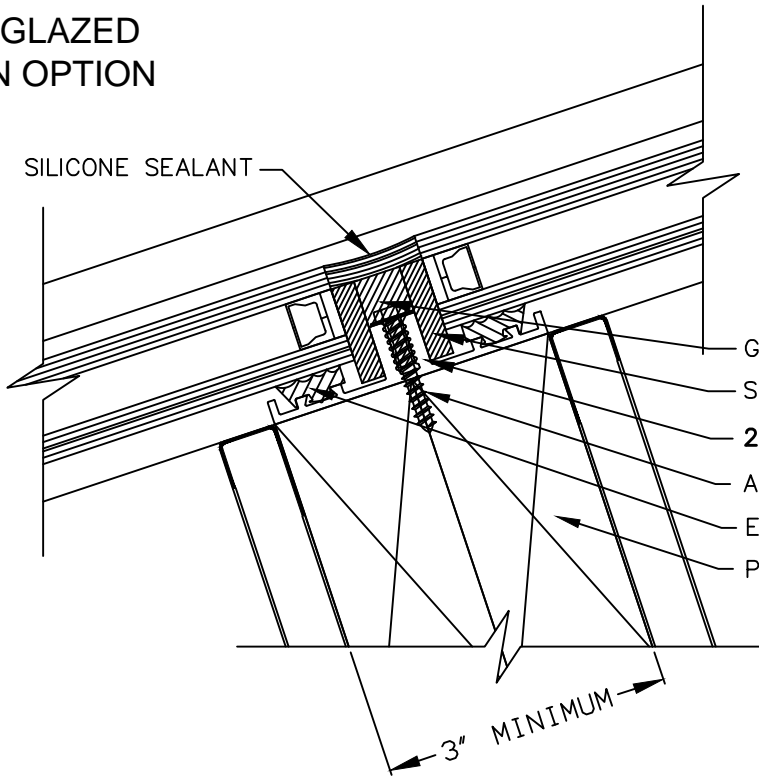
NEUTRAL CURE 791
SILICONE SEALANT



- GLAZING STOP
- SETTING BLOCK
- 2001 INTERMEDIATE
- ANCHOR SCREW BY INSTALLER
- EPDM GLAZING GASKET
- PURLIN SUPPORT BY OTHERS

**BUTT GLAZED
PURLIN OPTION**

SILICONE SEALANT



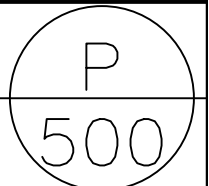
- GLAZING STOP
- SETTING BLOCK
- 2001 INTERMEDIATE
- ANCHOR SCREW BY INSTALLER
- EPDM GLAZING GASKET
- PURLIN SUPPORT BY OTHERS

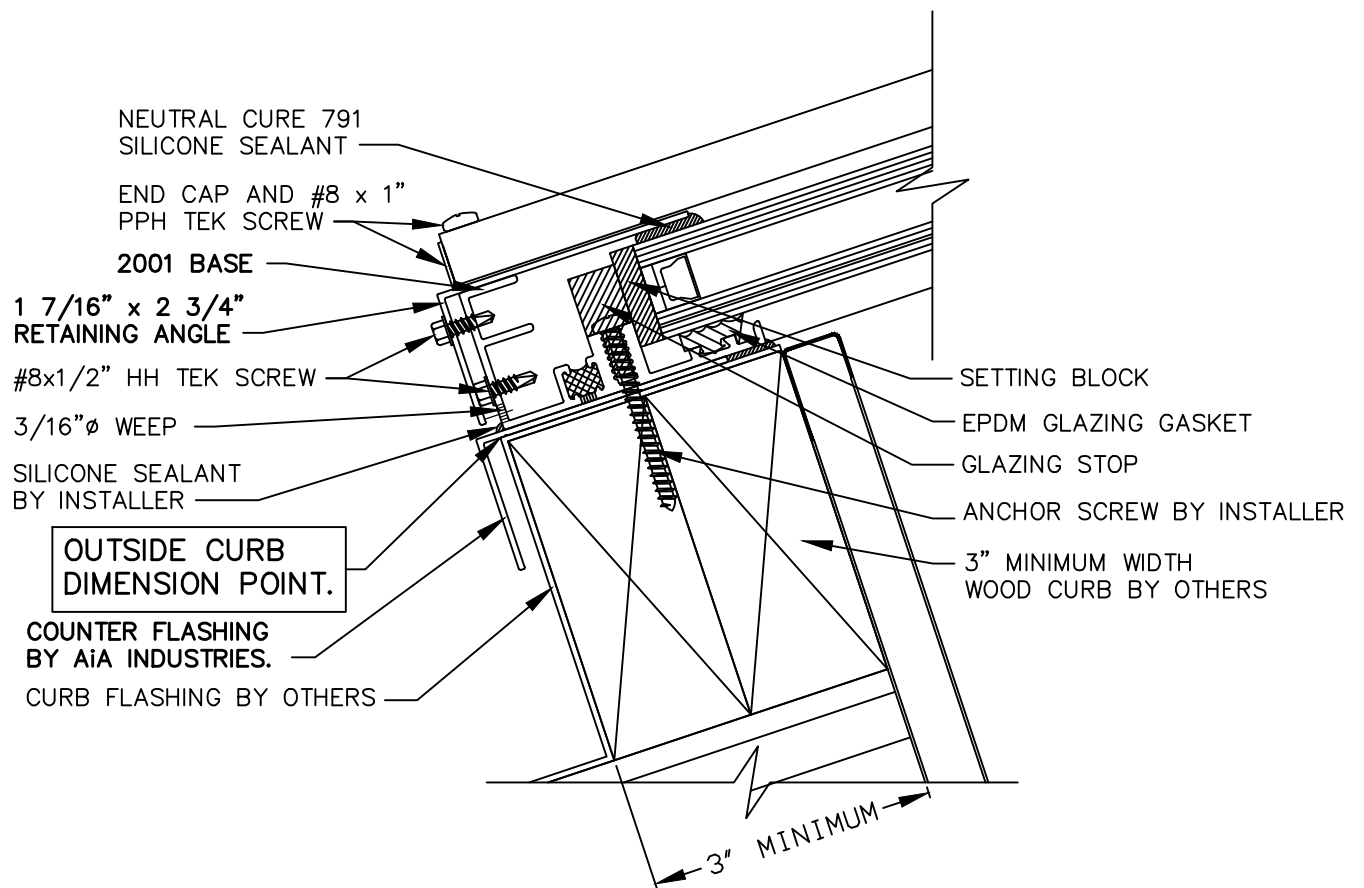


An AiA Industries Company

290 East 56th Avenue
Denver, CO 80216
(303) 296-9696
Fax (303) 296-2146

2001 NON-STRUCTURAL
SINGLE SLOPE
PURLIN



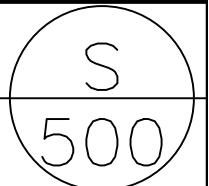


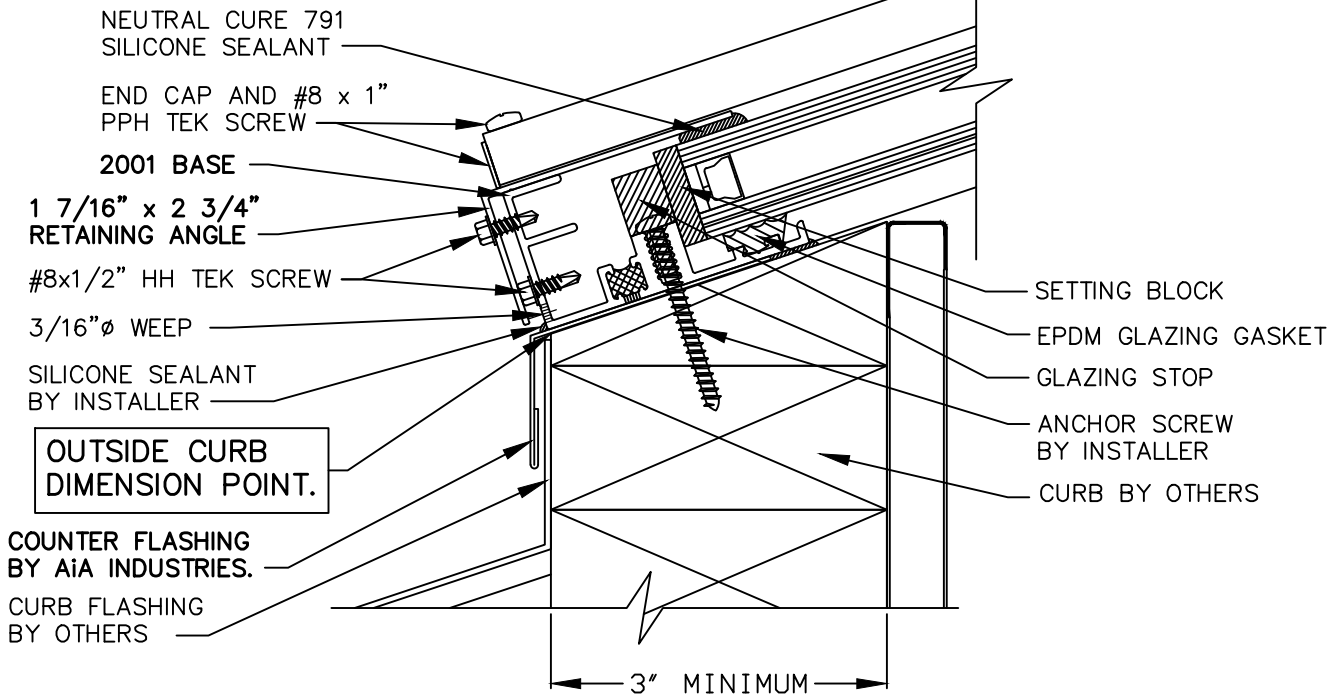
An AiA Industries Company

290 East 56th Avenue
 Denver, CO 80216
 (303) 296-9696
 Fax (303) 296-2146

2001 NON-STRUCTURAL
 SINGLE SLOPE

SILL





An AiA Industries Company

290 East 56th Avenue
 Denver, CO 80216
 (303) 296-9696
 Fax (303) 296-2146

2001 NON-STRUCTURAL
 SINGLE SLOPE

SILL

