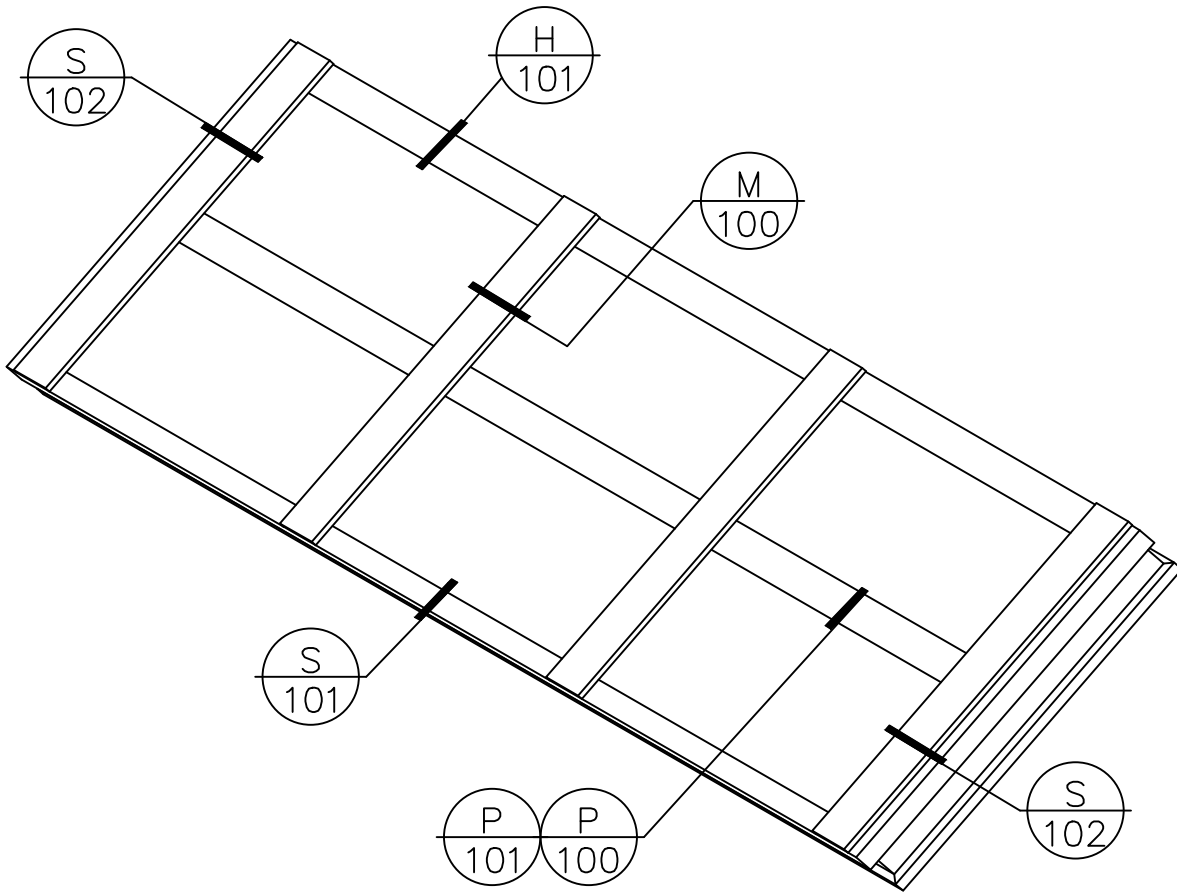


# STRUCTURAL SINGLE SLOPE

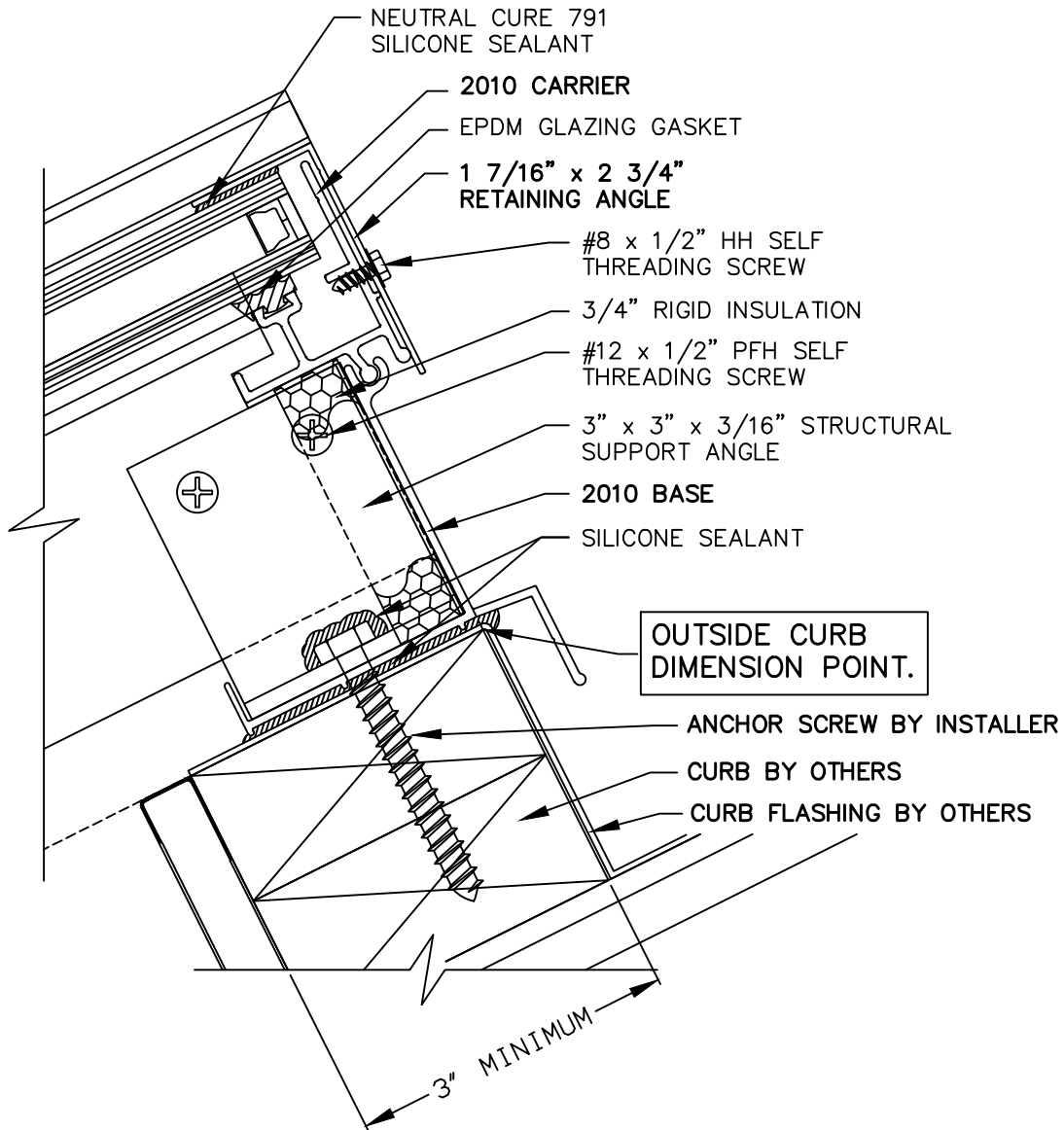


An AiA Industries Company

290 East 56th Avenue  
Denver, CO 80216  
(303) 296-9696  
Fax (303) 296-2146

2010 STRUCTURAL  
SINGLE SLOPE

PLAN  
ISO

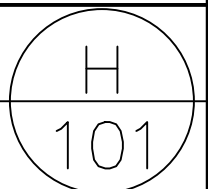


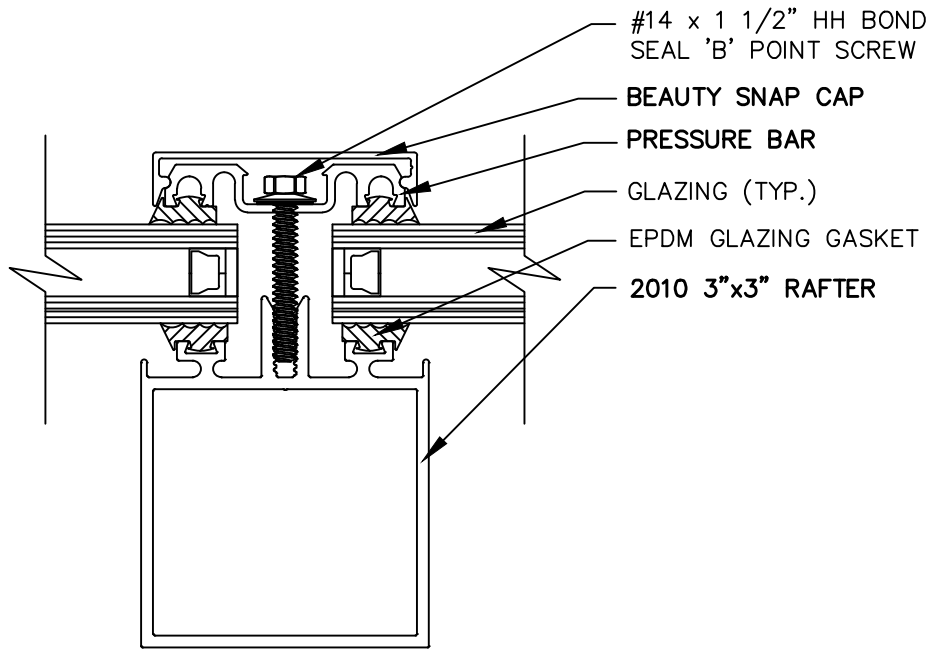
An AiA Industries Company

290 East 56th Avenue  
 Denver, CO 80216  
 (303) 296-9696  
 Fax (303) 296-2146

2010 STRUCTURAL  
 SINGLE SLOPE

RIDGE

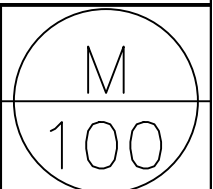


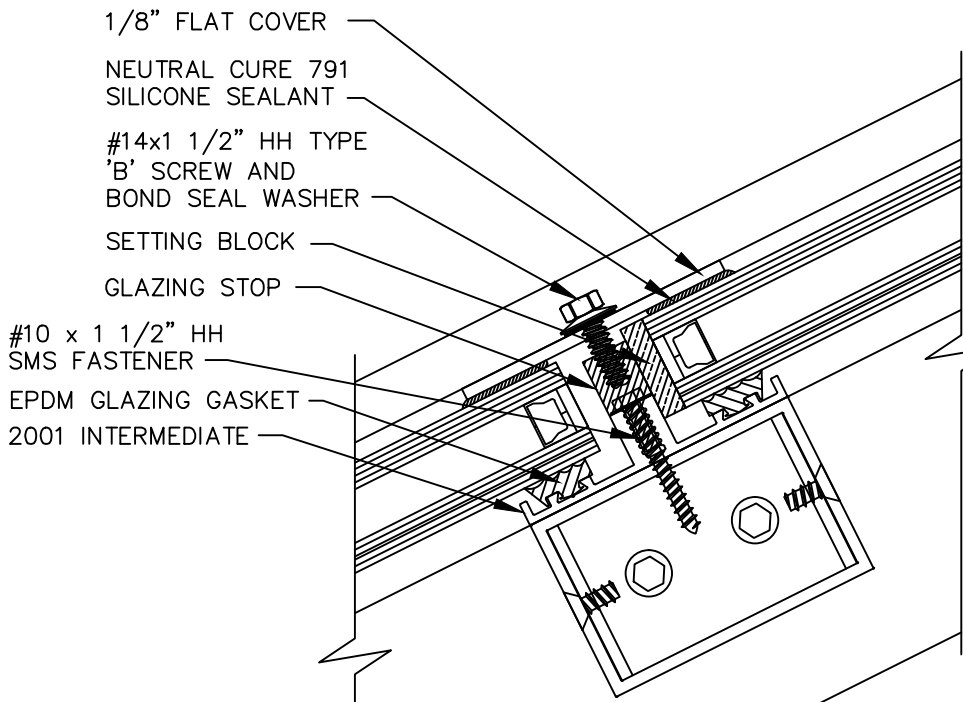


An AiA Industries Company

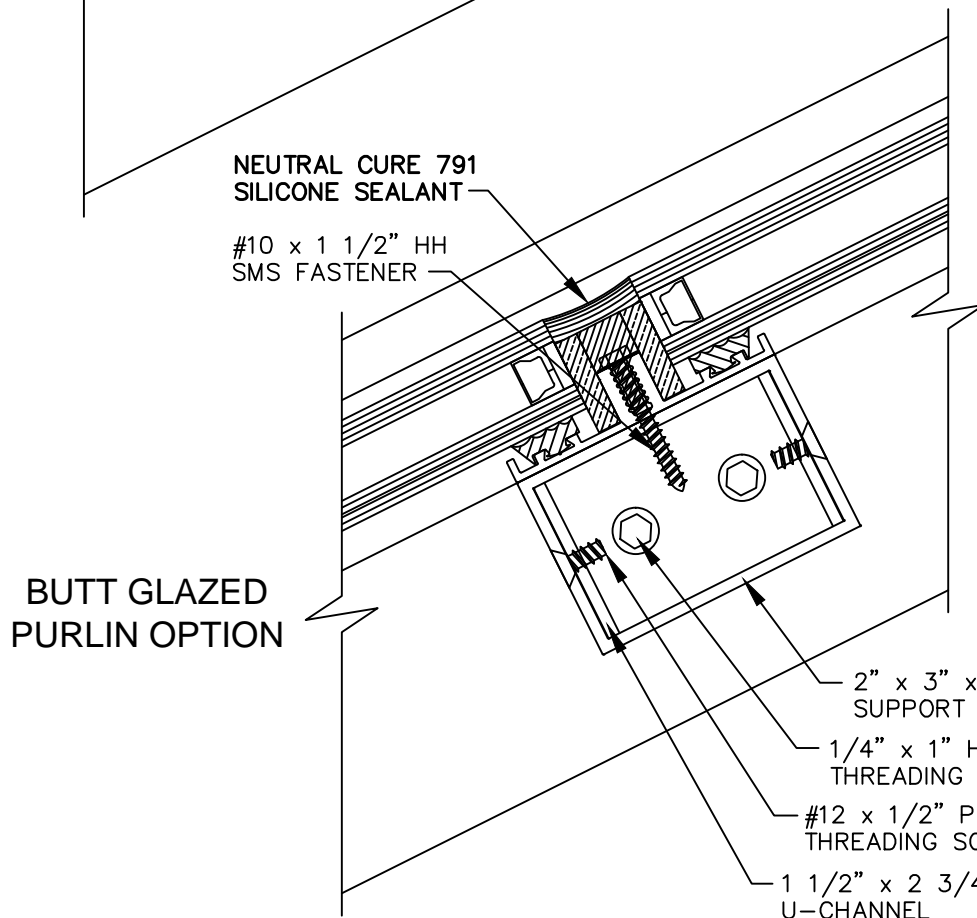
290 East 56th Avenue  
Denver, CO 80216  
(303) 296-9696  
Fax (303) 296-2146

2010 STRUCTURAL  
SINGLE SLOPE  
**RAFTER**





STANDARD PURLIN WITH FLAT COVER



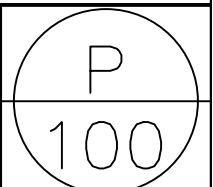
BUTT GLAZED PURLIN OPTION



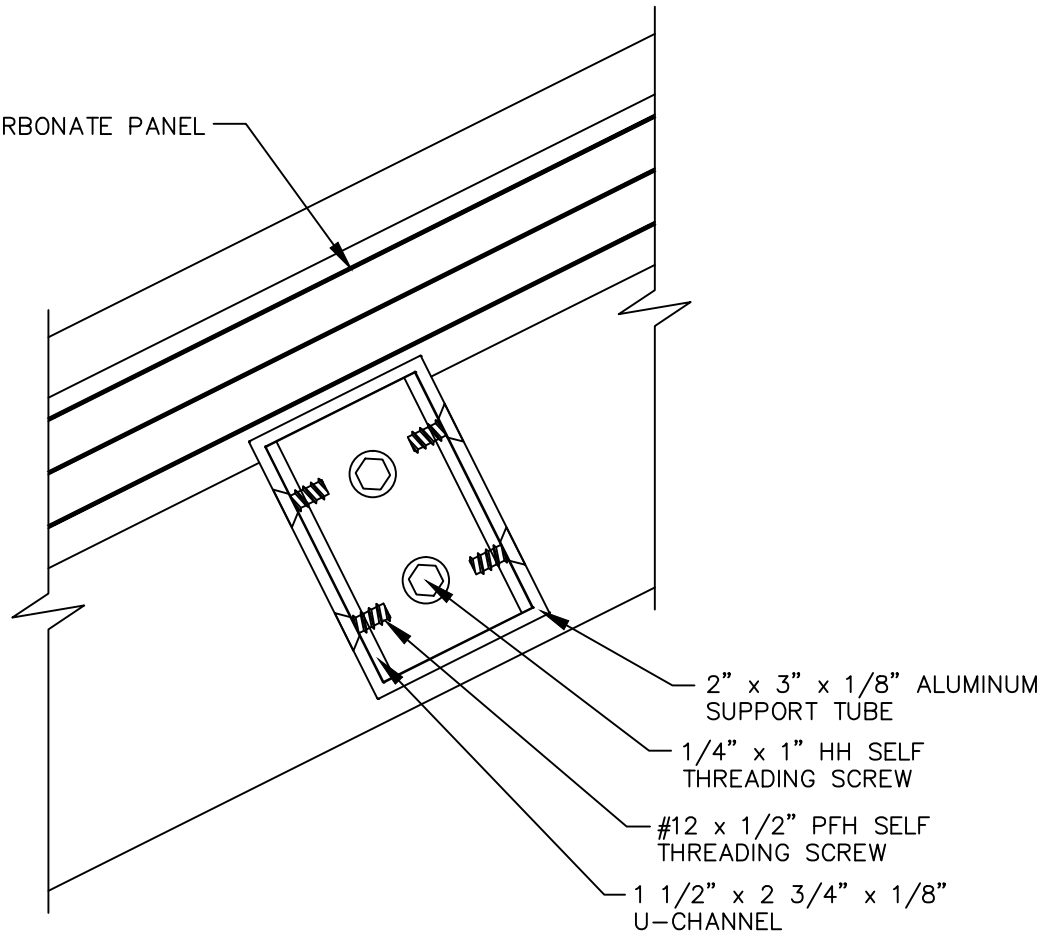
An AiA Industries Company

290 East 56th Avenue  
 Denver, CO 80216  
 (303) 296-9696  
 Fax (303) 296-2146

2010 STRUCTURAL  
 SINGLE SLOPE  
**PURLIN**



POLYCARBONATE PANEL



FOR MULTIWALL  
POLYCARBONATE PANELS ONLY

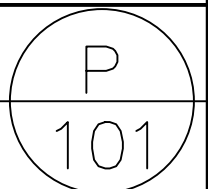


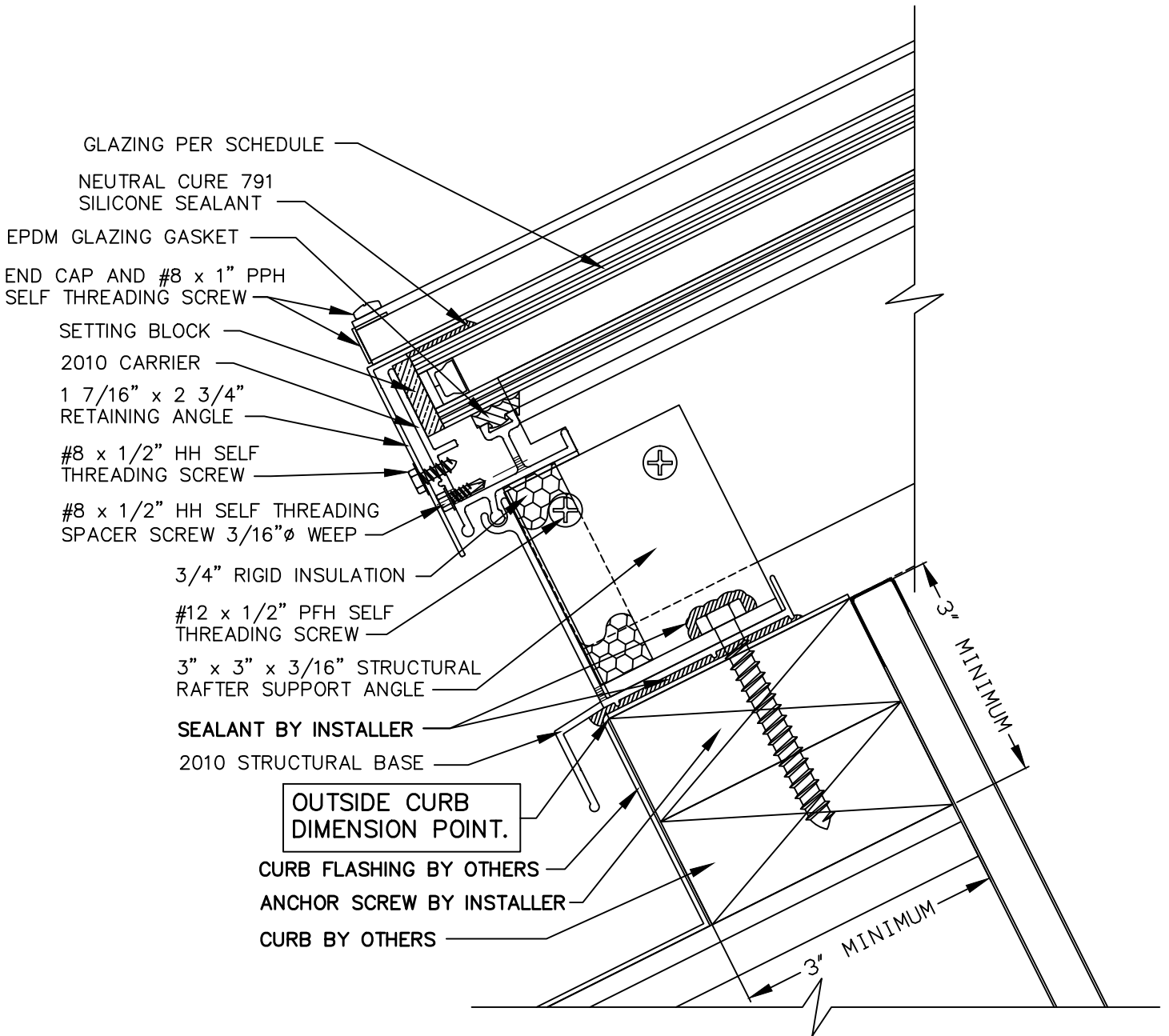
An AiA Industries Company

290 East 56th Avenue  
Denver, CO 80216  
(303) 296-9696  
Fax (303) 296-2146

2010 STRUCTURAL  
SINGLE SLOPE

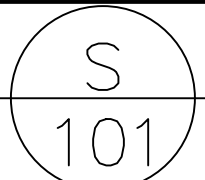
PURLIN

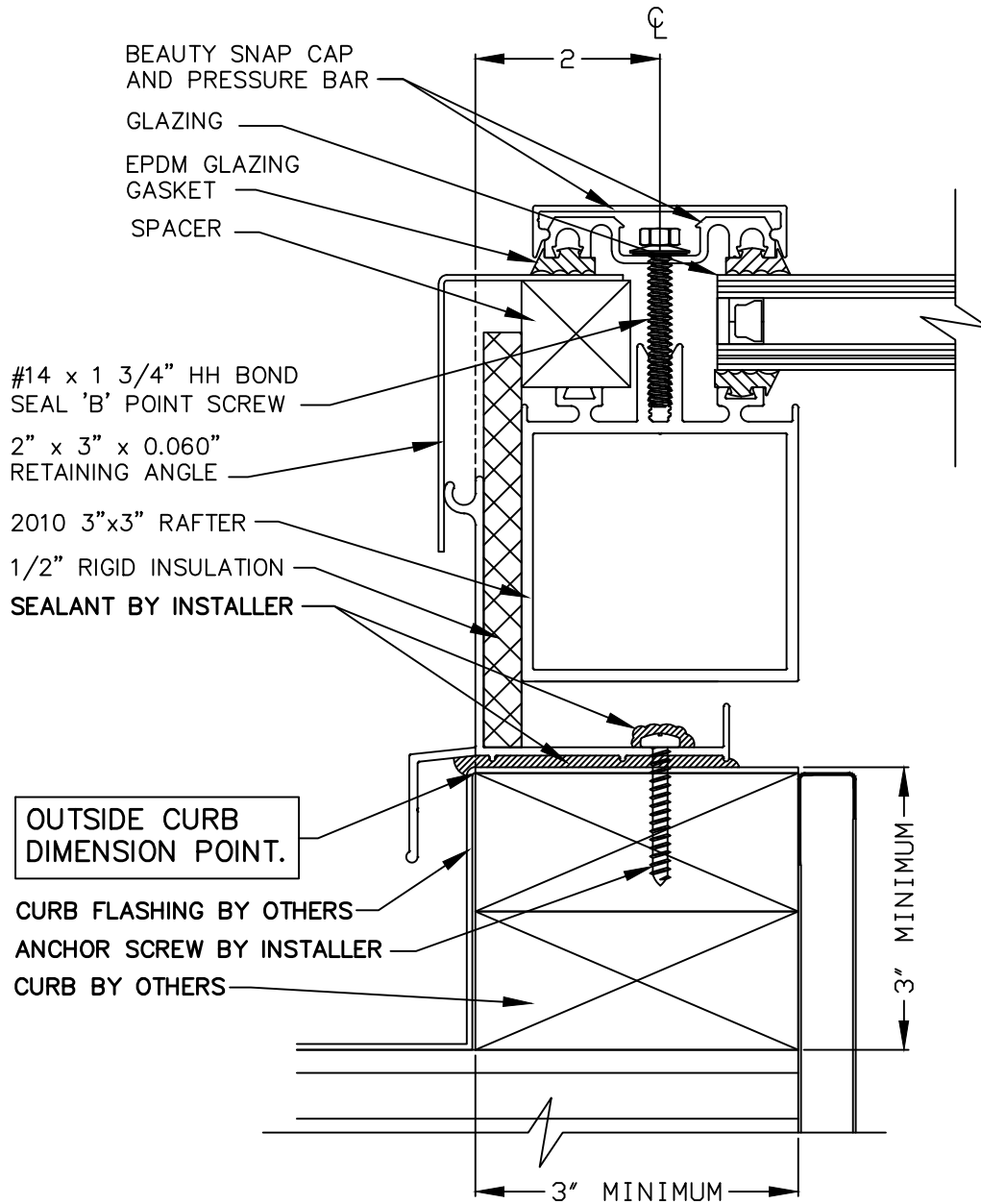




290 East 56th Avenue  
 Denver, CO 80216  
 (303) 296-9696  
 Fax (303) 296-2146

2010 STRUCTURAL  
 SINGLE SLOPE  
**SILL**





An AiA Industries Company

290 East 56th Avenue  
 Denver, CO 80216  
 (303) 296-9696  
 Fax (303) 296-2146

2010 STRUCTURAL  
 SINGLE SLOPE  
**END RAFTER**

