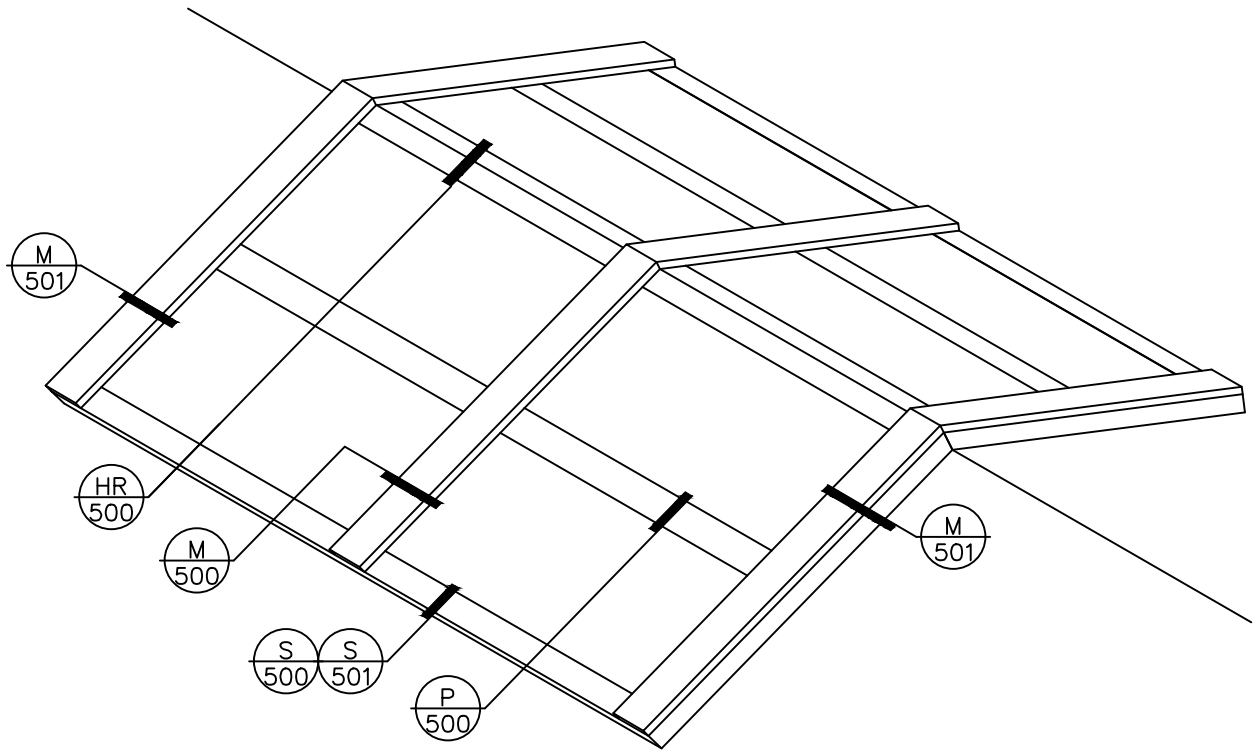


# NON-STRUCTURAL RIDGE

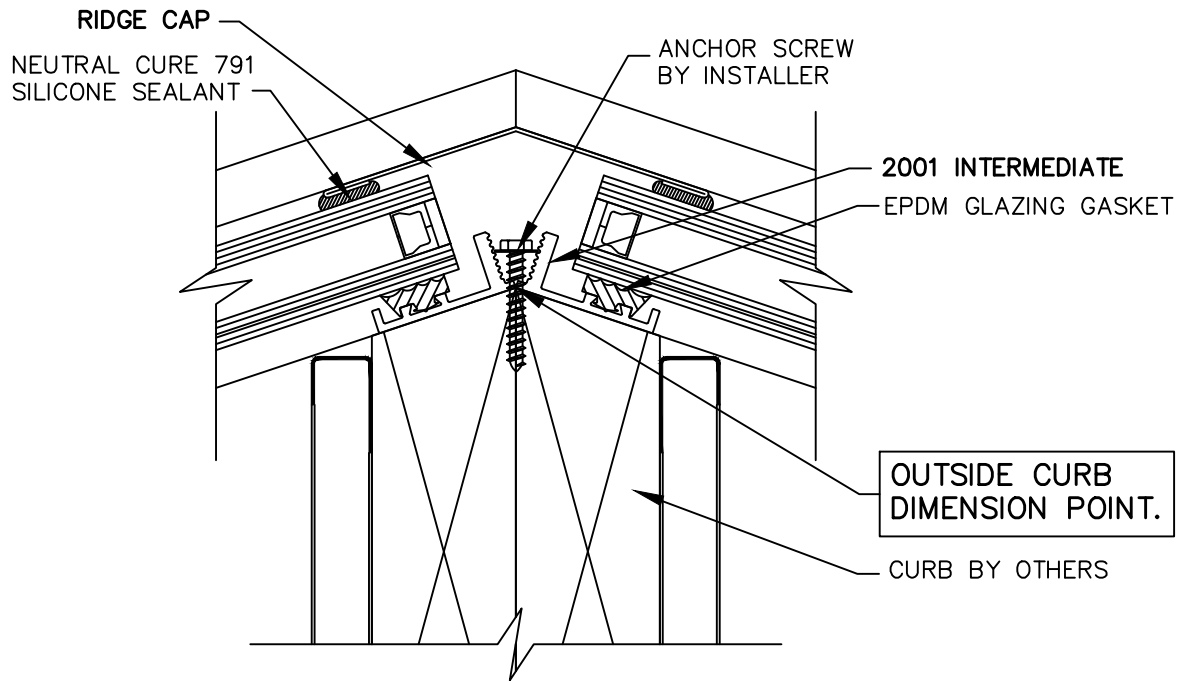


An AiA Industries Company

290 East 56th Avenue  
Denver, CO 80216  
(303) 296-9696  
Fax (303) 296-2146

2001 NON-STRUCTURAL  
**RIDGE**

**PLAN  
ISO**



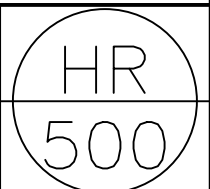
**DALYTE**

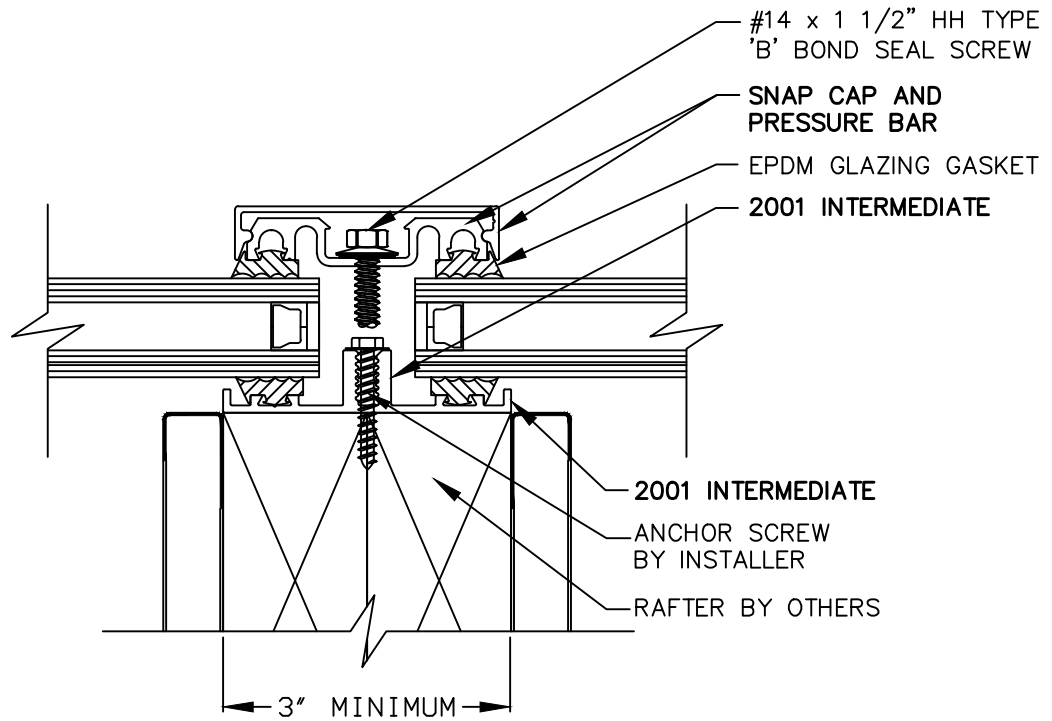
An AiA Industries Company

290 East 56th Avenue  
 Denver, CO 80216  
 (303) 296-9696  
 Fax (303) 296-2146

2001 NON-STRUCTURAL  
 RIDGE

**RIDGE**



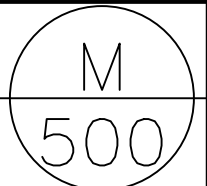


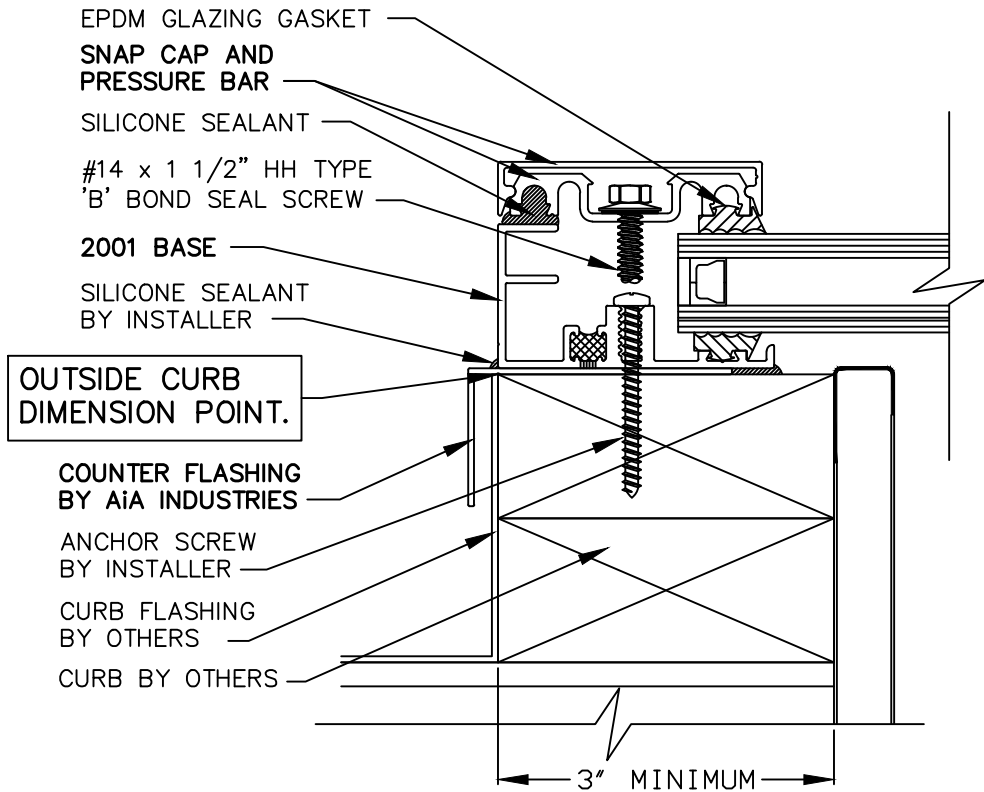
An AiA Industries Company

290 East 56th Avenue  
Denver, CO 80216  
(303) 296-9696  
Fax (303) 296-2146

2001 NON-STRUCTURAL  
RIDGE

RAFTER



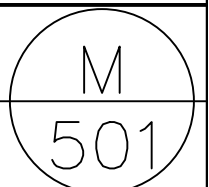


An AiA Industries Company

290 East 56th Avenue  
 Denver, CO 80216  
 (303) 296-9696  
 Fax (303) 296-2146

2001 NON-STRUCTURAL  
 RIDGE

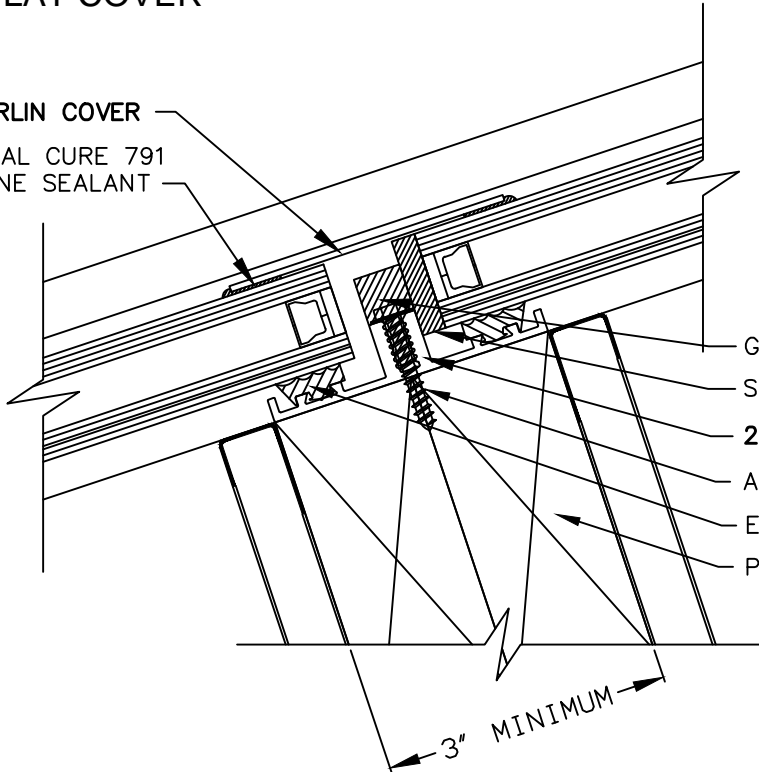
END RAFTER



**STANDARD PURLIN  
WITH FLAT COVER**

3" PURLIN COVER

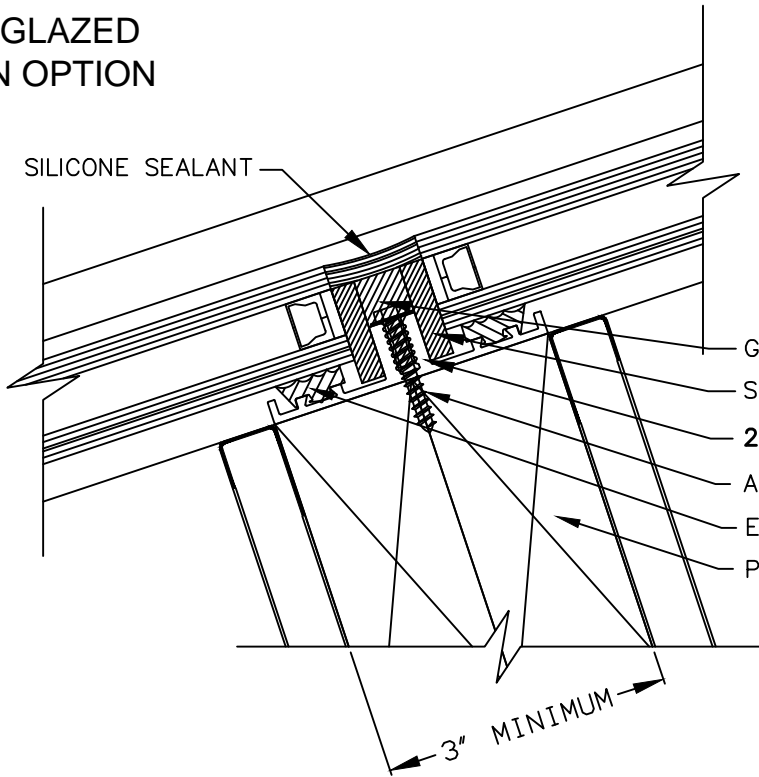
NEUTRAL CURE 791  
SILICONE SEALANT



- GLAZING STOP
- SETTING BLOCK
- 2001 INTERMEDIATE
- ANCHOR SCREW BY INSTALLER
- EPDM GLAZING GASKET
- PURLIN SUPPORT BY OTHERS

**BUTT GLAZED  
PURLIN OPTION**

SILICONE SEALANT



- GLAZING STOP
- SETTING BLOCK
- 2001 INTERMEDIATE
- ANCHOR SCREW BY INSTALLER
- EPDM GLAZING GASKET
- PURLIN SUPPORT BY OTHERS

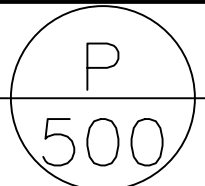


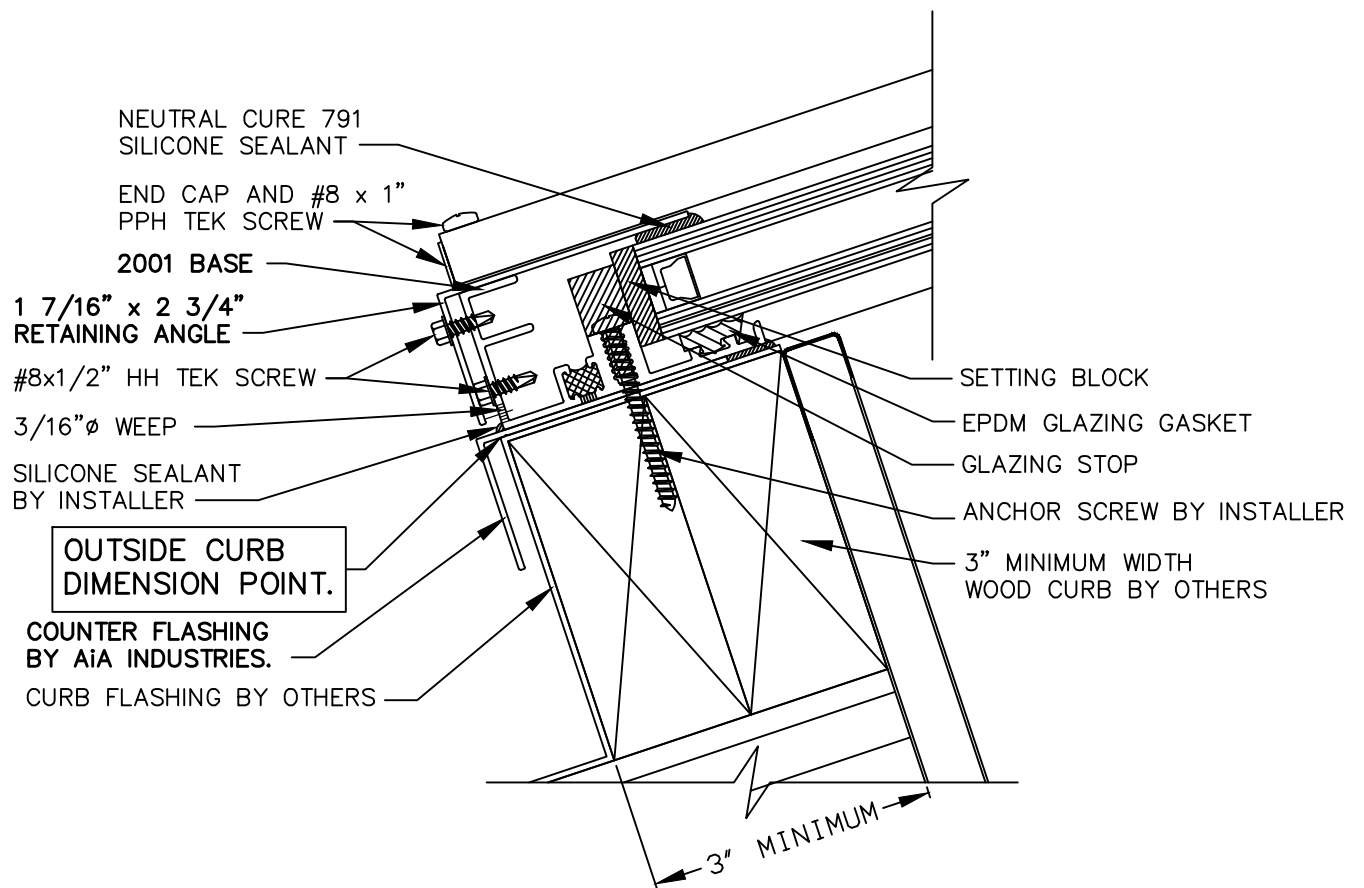
An AiA Industries Company

290 East 56th Avenue  
Denver, CO 80216  
(303) 296-9696  
Fax (303) 296-2146

2001 NON-STRUCTURAL  
RIDGE

**PURLIN**



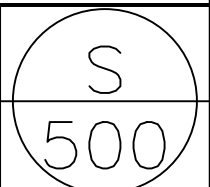


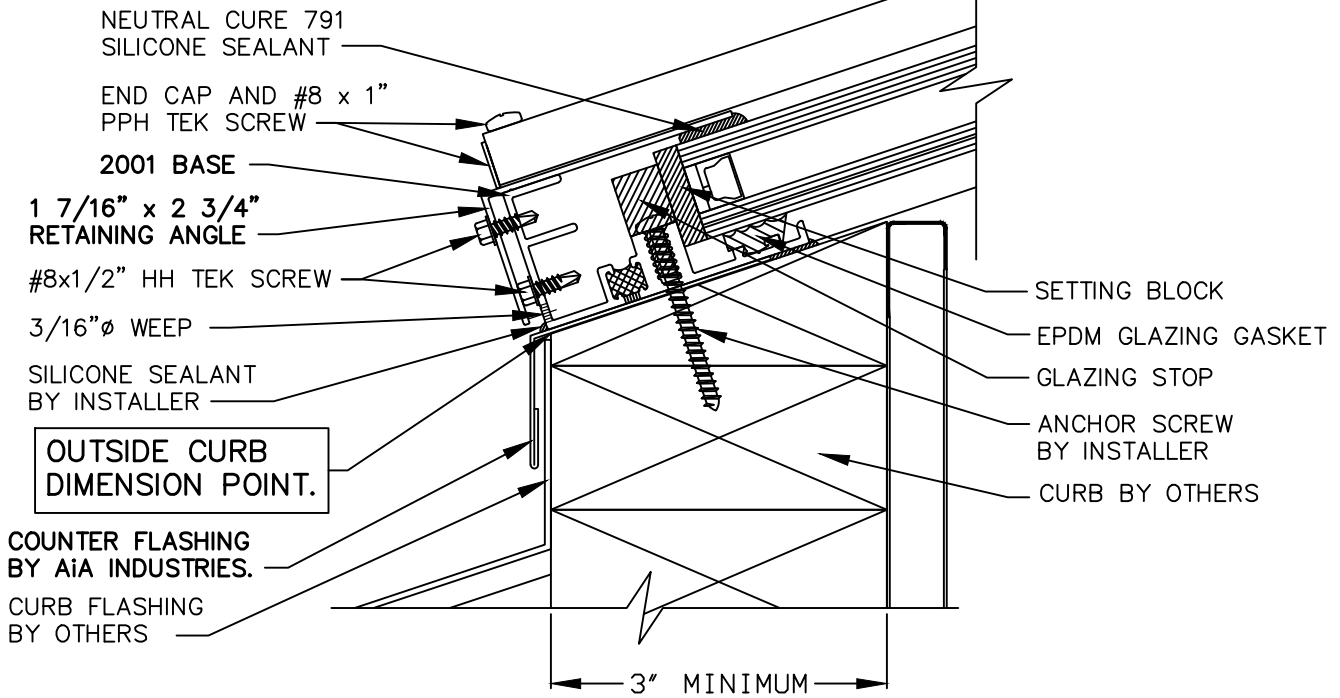
An AiA Industries Company

290 East 56th Avenue  
 Denver, CO 80216  
 (303) 296-9696  
 Fax (303) 296-2146

2001 NON-STRUCTURAL  
 RIDGE

**SILL**





An AiA Industries Company

290 East 56th Avenue  
 Denver, CO 80216  
 (303) 296-9696  
 Fax (303) 296-2146

2001 NON-STRUCTURAL  
 RIDGE  
**SILL**

