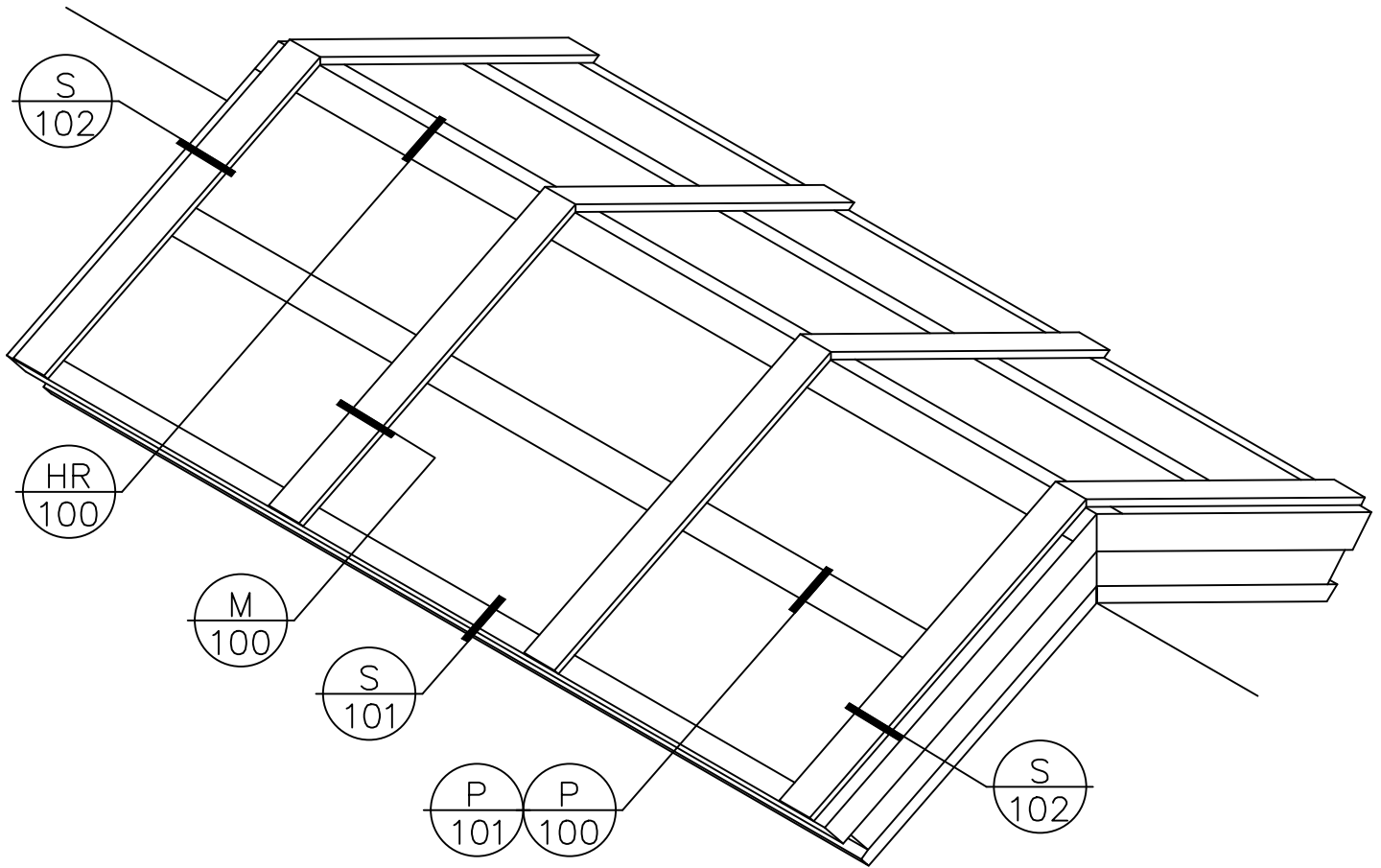


# STRUCTURAL RIDGE

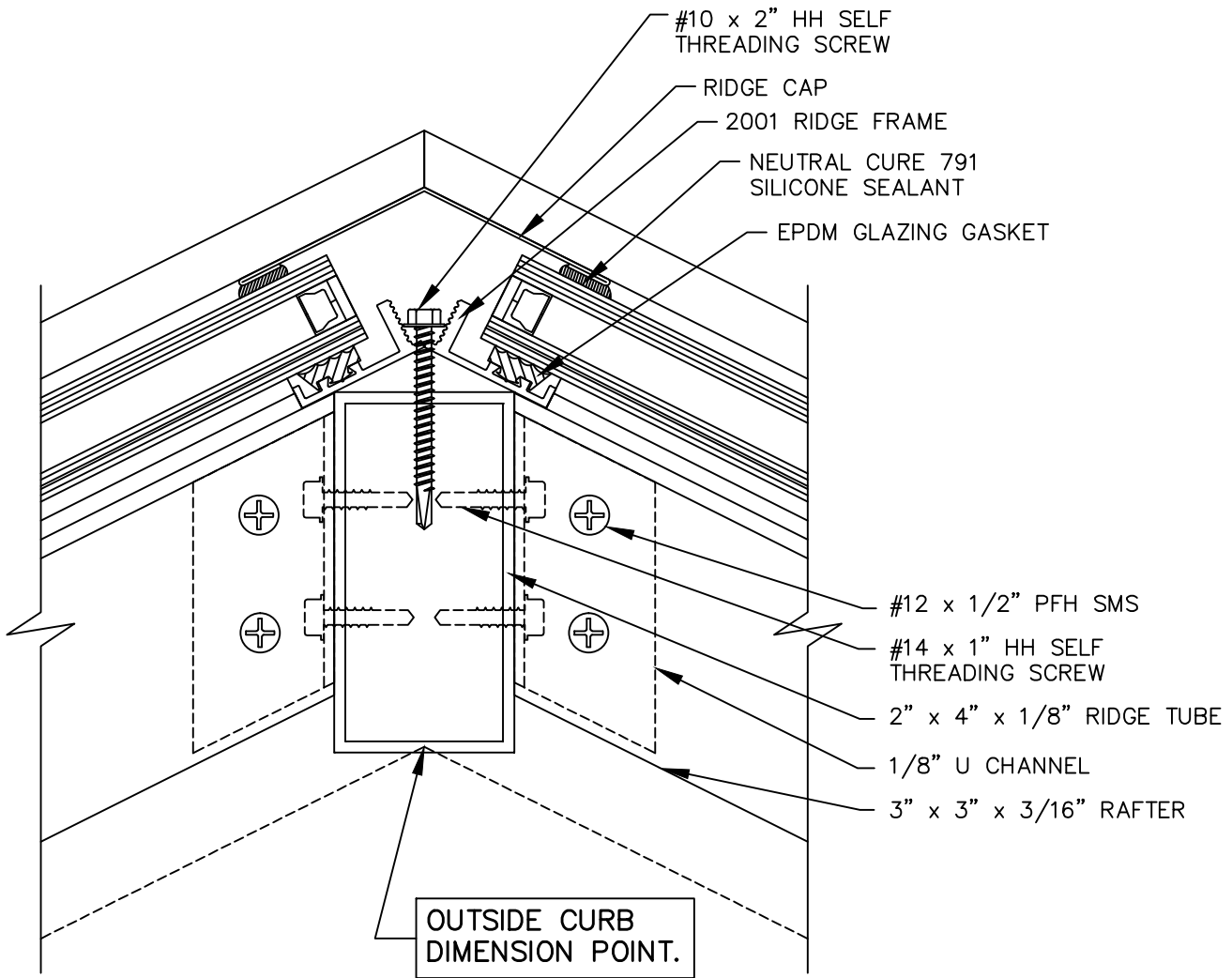


An AiA Industries Company

290 East 56th Avenue  
Denver, CO 80216  
(303) 296-9696  
Fax (303) 296-2146

2010 STRUCTURAL  
RIDGE

PLAN  
ISO



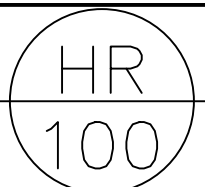
**DALYTE**

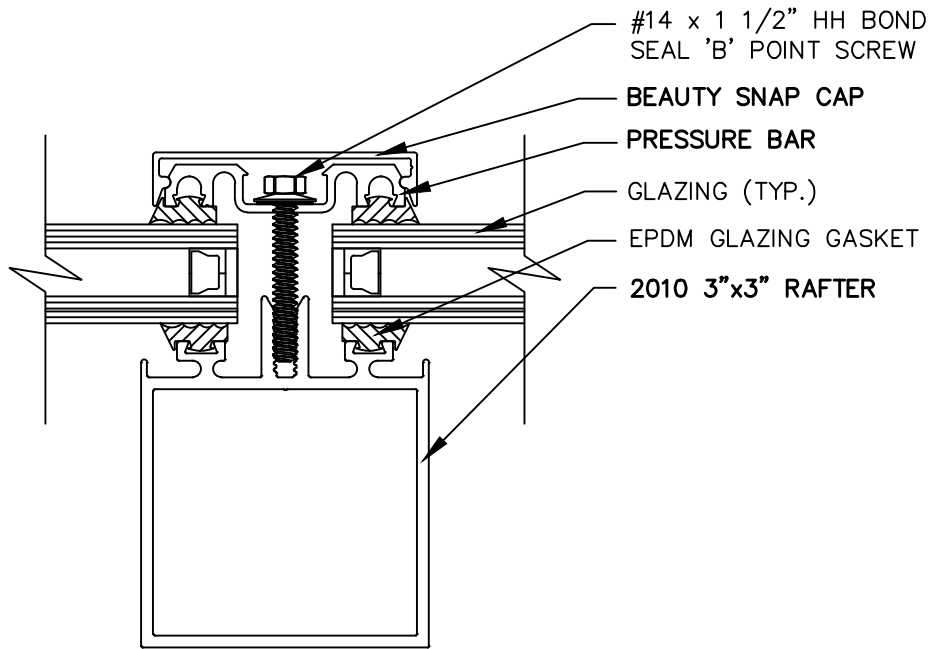
An AiA Industries Company

290 East 56th Avenue  
Denver, CO 80216  
(303) 296-9696  
Fax (303) 296-2146

2010 STRUCTURAL RIDGE

**RIDGE**



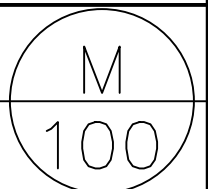


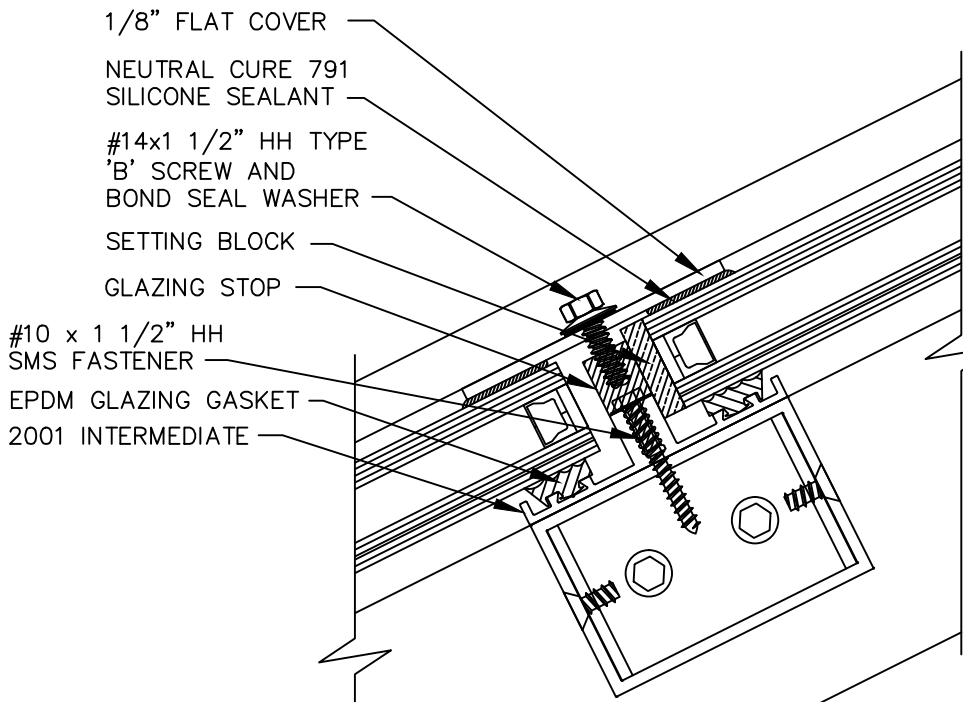
An AiA Industries Company

290 East 56th Avenue  
Denver, CO 80216  
(303) 296-9696  
Fax (303) 296-2146

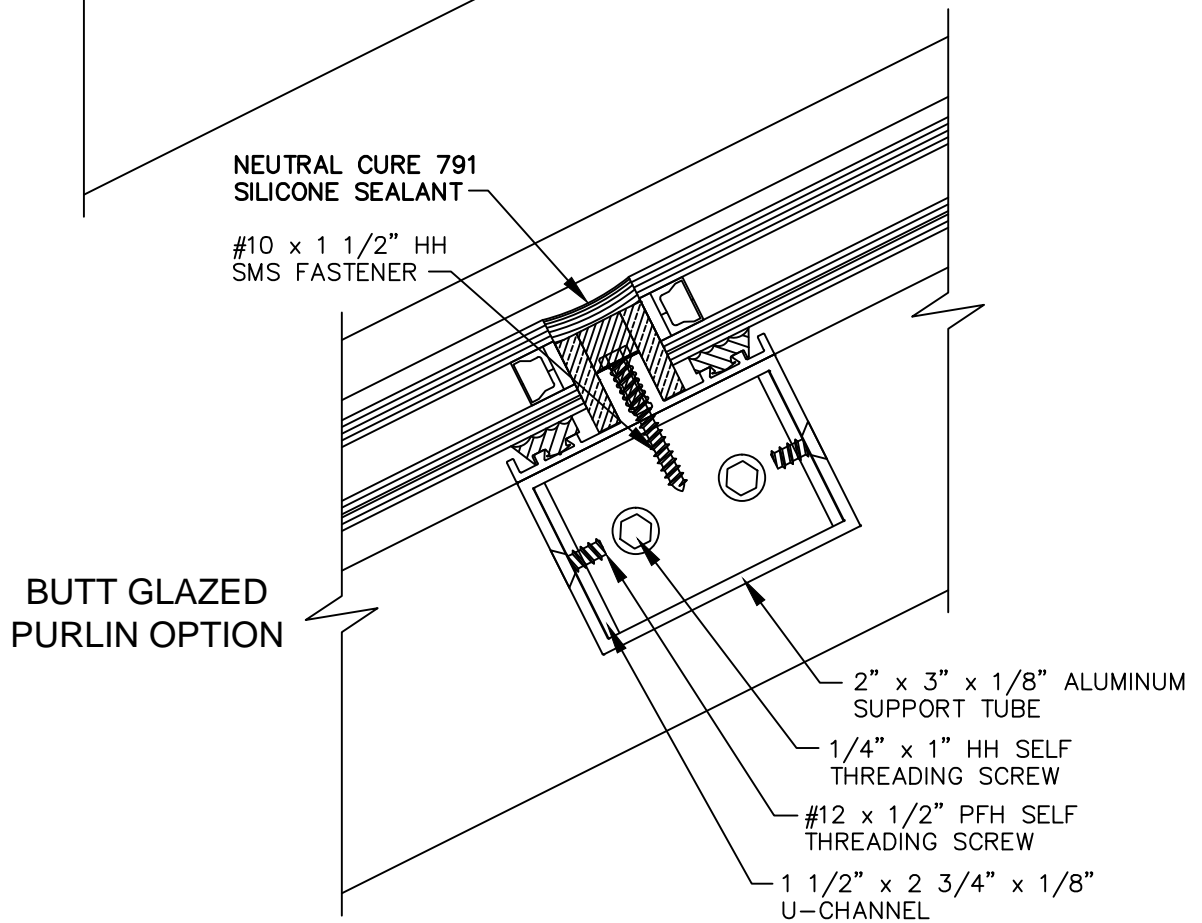
2010 STRUCTURAL RIDGE

RAFTER





STANDARD PURLIN WITH FLAT COVER



BUTT GLAZED PURLIN OPTION

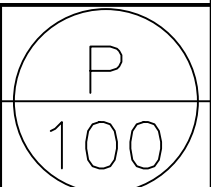


An AiA Industries Company

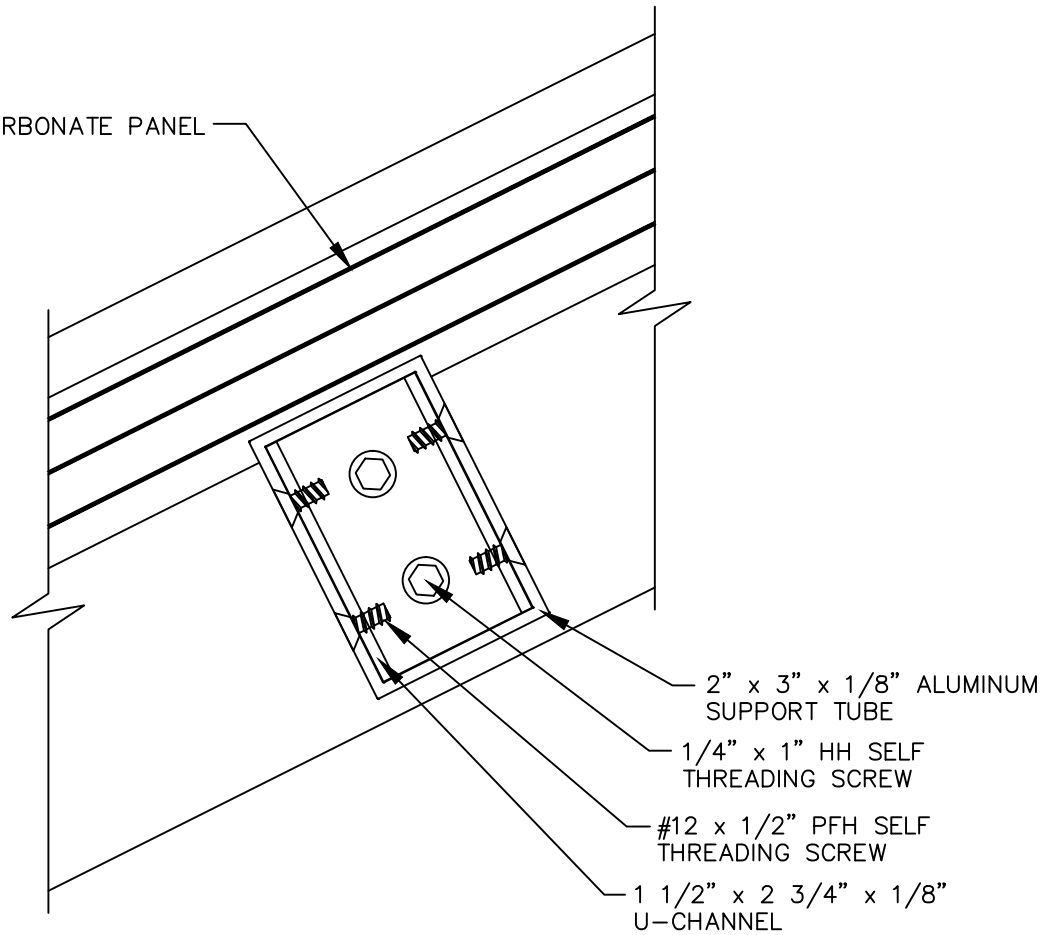
290 East 56th Avenue  
 Denver, CO 80216  
 (303) 296-9696  
 Fax (303) 296-2146

2010 STRUCTURAL RIDGE

PURLIN



POLYCARBONATE PANEL



FOR MULTIWALL  
POLYCARBONATE PANELS ONLY

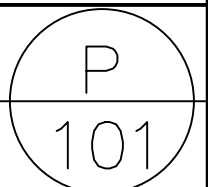
**DALYTE**

An AiA Industries Company

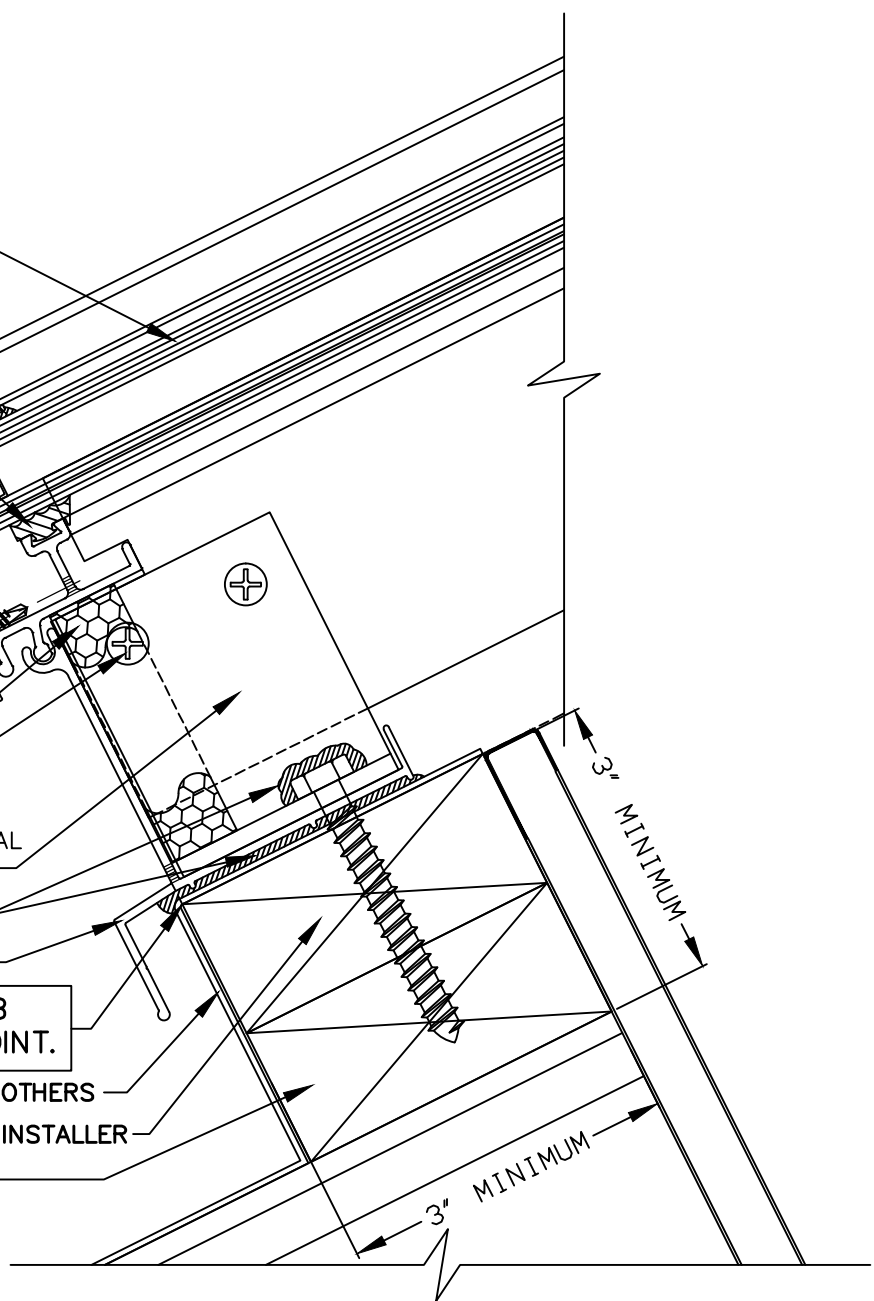
290 East 56th Avenue  
Denver, CO 80216  
(303) 296-9696  
Fax (303) 296-2146

2010 STRUCTURAL RIDGE

**PURLIN**

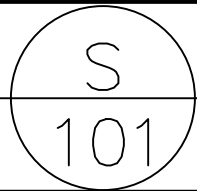


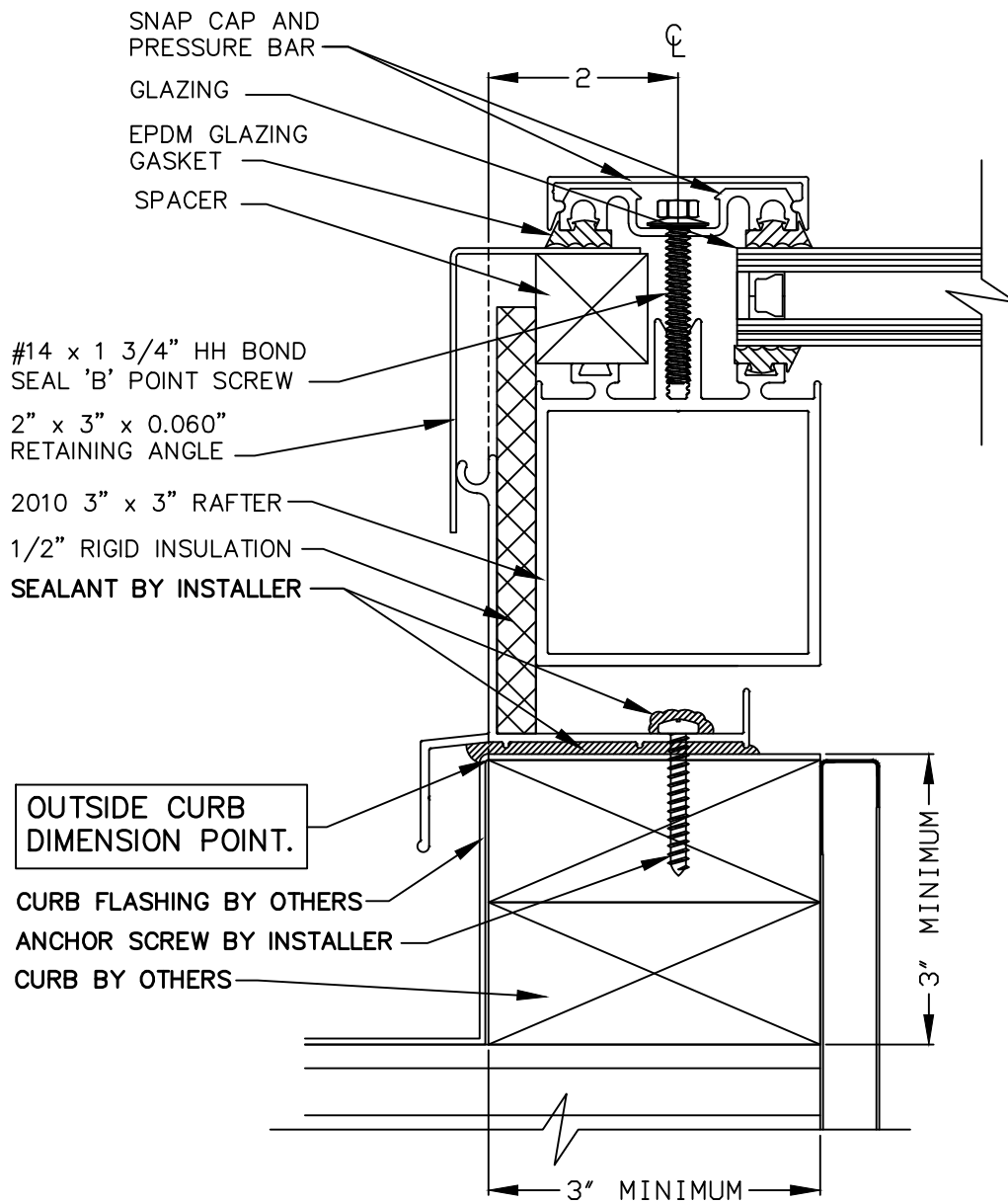
- GLAZING PER SCHEDULE
- NEUTRAL CURE 791 SILICONE SEALANT
- EPDM GLAZING GASKET
- END CAP AND #8 x 1" PPH SELF THREADING SCREW
- SETTING BLOCK
- 2010 CARRIER
- 1 7/16" x 2 3/4" RETAINING ANGLE
- #8 x 1/2" HH SELF THREADING SCREW
- #8 x 1/2" HH SELF THREADING SPACER SCREW 3/16"Ø WEEP
- 3/4" RIGID INSULATION
- #12 x 1/2" PFH SELF THREADING SCREW
- 3" x 3" x 3/16" STRUCTURAL RAFTER SUPPORT ANGLE
- SEALANT BY INSTALLER
- 2010 STRUCTURAL BASE
- OUTSIDE CURB DIMENSION POINT.
- CURB FLASHING BY OTHERS
- ANCHOR SCREW BY INSTALLER
- CURB BY OTHERS



290 East 56th Avenue  
 Denver, CO 80216  
 (303) 296-9696  
 Fax (303) 296-2146

2010 STRUCTURAL RIDGE  
**SILL**





**DALYTE**

An AiA Industries Company

290 East 56th Avenue  
 Denver, CO 80216  
 (303) 296-9696  
 Fax (303) 296-2146

2010 STRUCTURAL RIDGE  
**END RAFTER**

