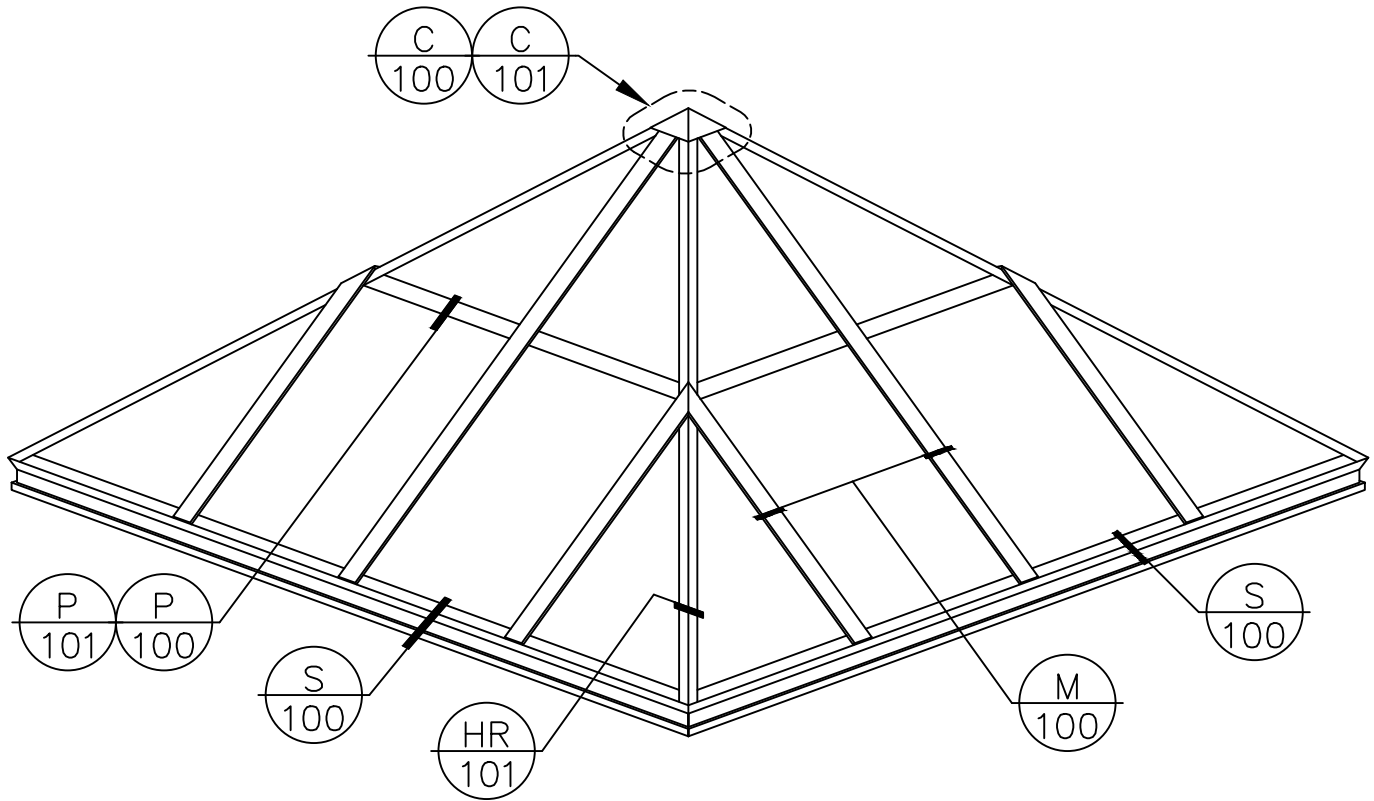


STRUCTURAL PYRAMID

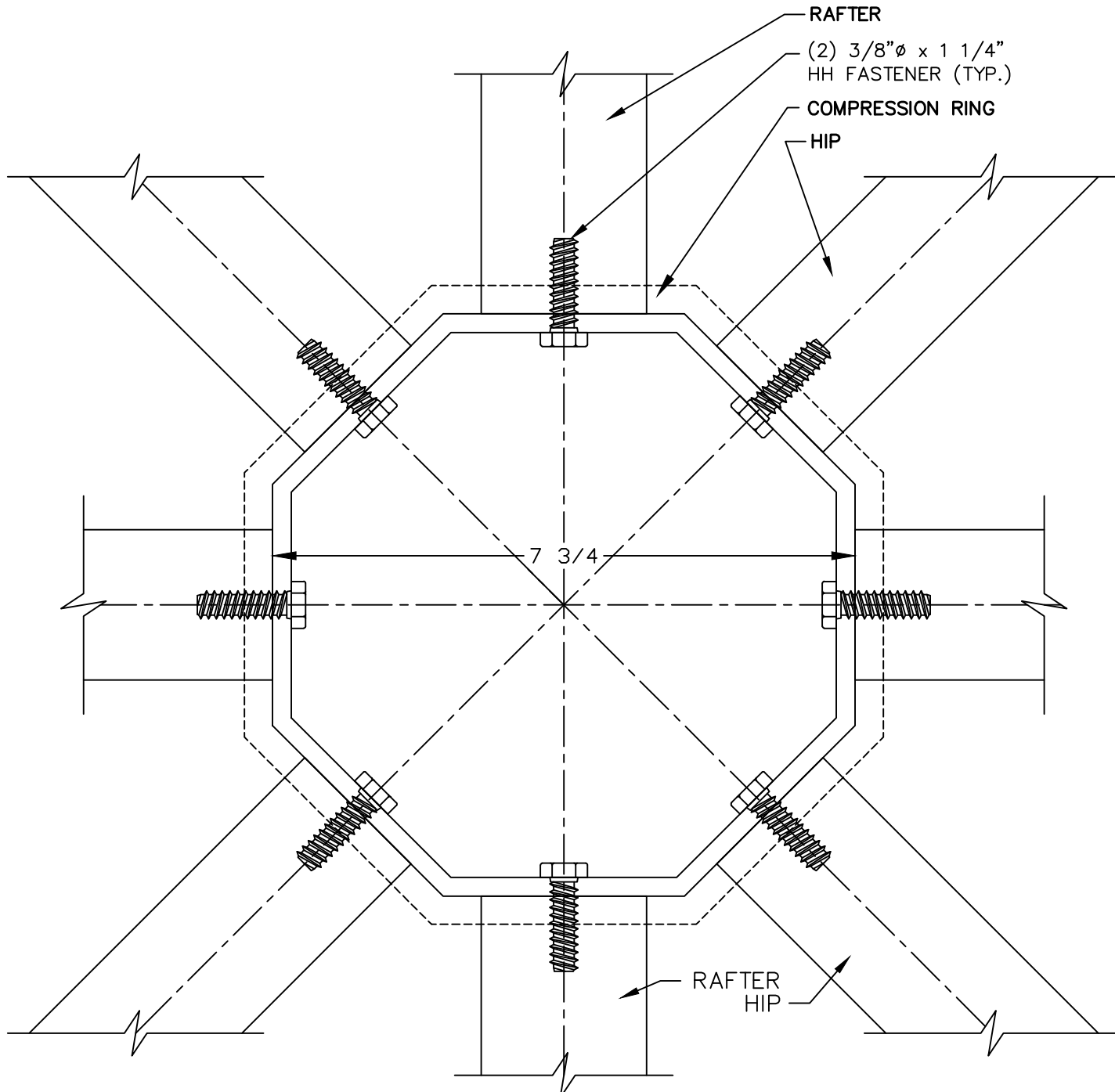


An AiA Industries Company

290 East 56th Avenue
Denver, CO 80216
(303) 296-9696
Fax (303) 296-2146

2010 STRUCTURAL
PYRAMID

PLAN
ISO



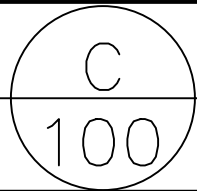
5 COMPRESSION RING

NOTE: CAPS NOT SHOWN



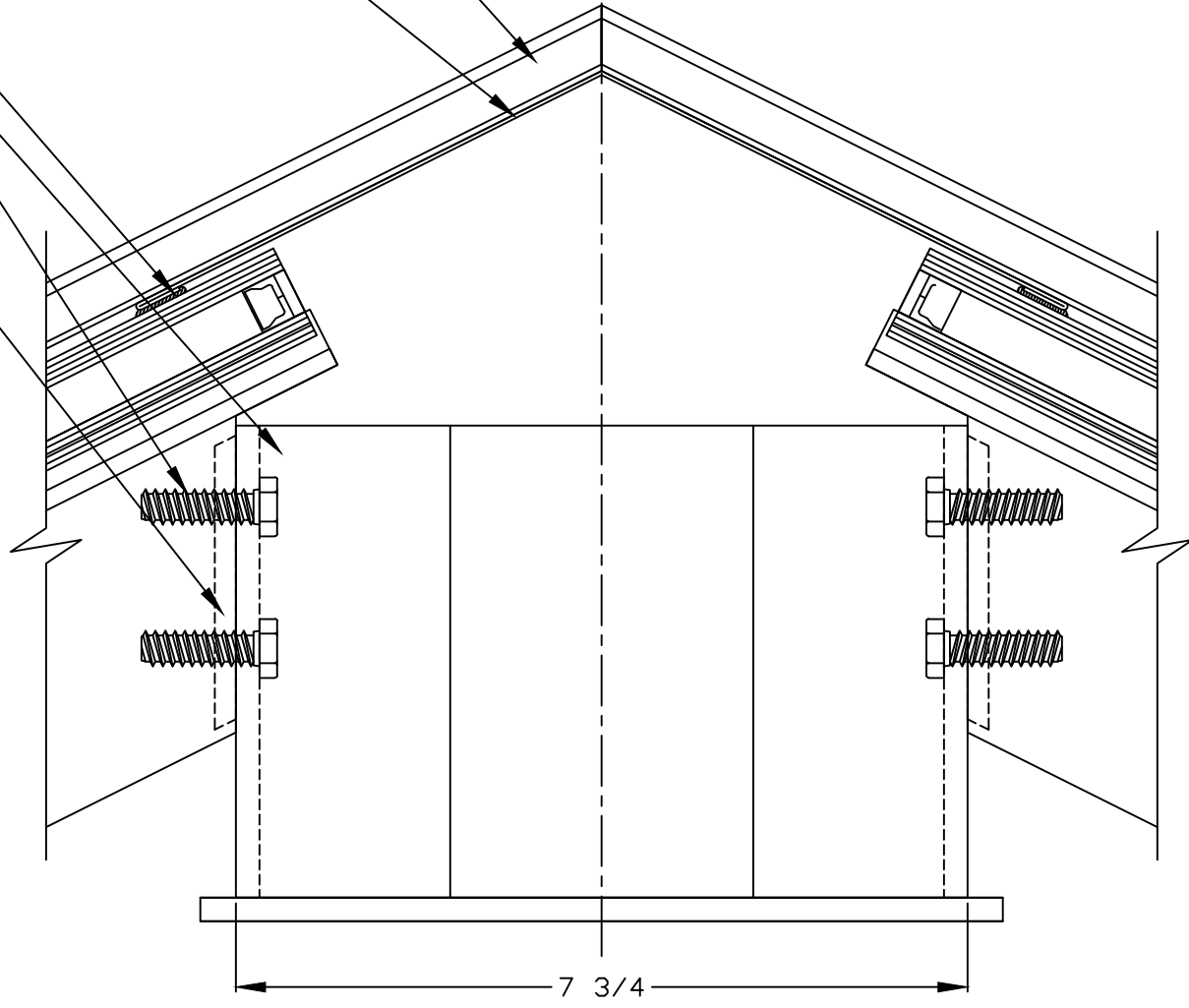
290 East 56th Avenue
 Denver, CO 80216
 (303) 296-9696
 Fax (303) 296-2146

2010 STRUCTURAL
 OCTAGON PYRAMID
 COMPRESSION
 RING PLAN



BEAUTY SNAP CAP
AND PRESSURE BAR
PYRAMID CAP

NEUTRAL CURE 791
SILICONE SEALANT
COMPRESSION RING
(2) 3/8" ϕ x 1 1/4"
HH FASTENER (TYP.)
1/4" THREADED
PLATE WELDED INSIDE
HIP/RAFTER TUBES.

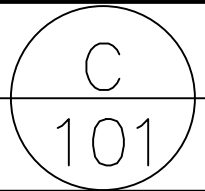


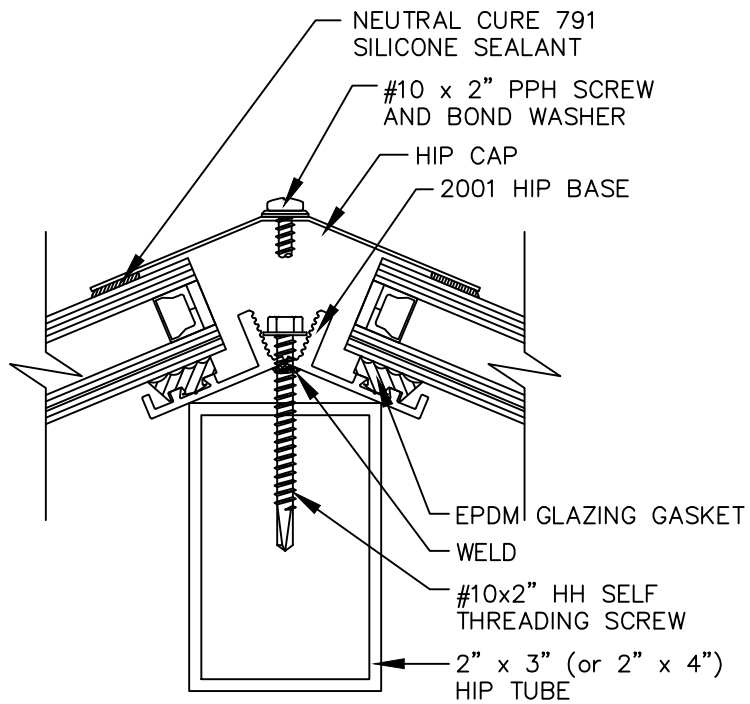
4 COMPRESSION RING



290 East 56th Avenue
Denver, CO 80216
(303) 296-9696
Fax (303) 296-2146

2010 STRUCTURAL
OCTAGON PYRAMID
COMPRESSION
RING SECTION



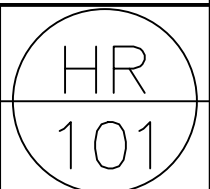


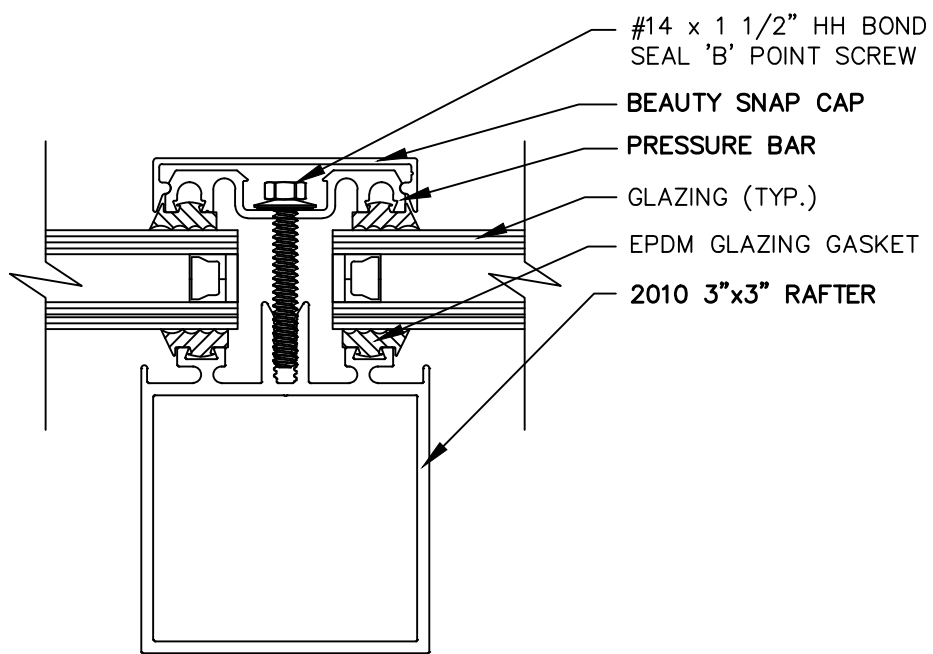
An AiA Industries Company

290 East 56th Avenue
 Denver, CO 80216
 (303) 296-9696
 Fax (303) 296-2146

2010 STRUCTURAL
 PYRAMID

HIP

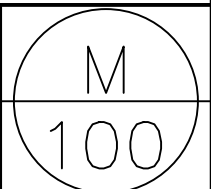


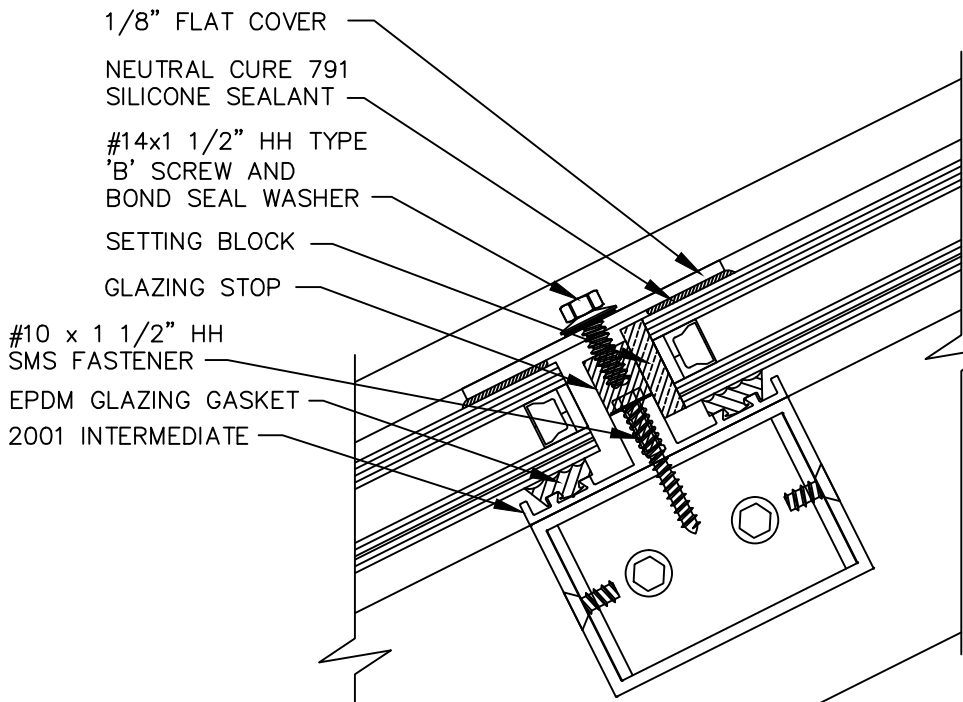


An AiA Industries Company

290 East 56th Avenue
 Denver, CO 80216
 (303) 296-9696
 Fax (303) 296-2146

2010 STRUCTURAL
 PYRAMID
 RAFTER AND
 JACK RAFTER



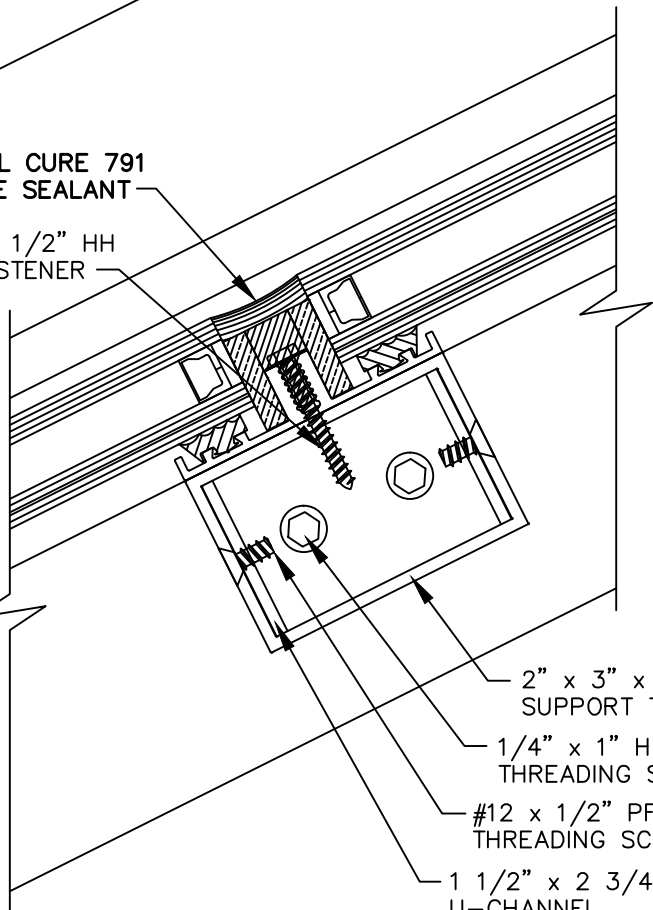


STANDARD PURLIN WITH FLAT COVER

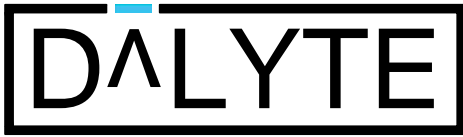
- 1/8" FLAT COVER
- NEUTRAL CURE 791 SILICONE SEALANT
- #14x1 1/2" HH TYPE 'B' SCREW AND BOND SEAL WASHER
- SETTING BLOCK
- GLAZING STOP
- #10 x 1 1/2" HH SMS FASTENER
- EPDM GLAZING GASKET
- 2001 INTERMEDIATE

- NEUTRAL CURE 791 SILICONE SEALANT
- #10 x 1 1/2" HH SMS FASTENER

BUTT GLAZED PURLIN OPTION



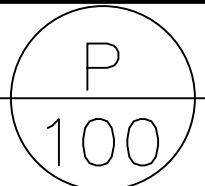
- 2" x 3" x 1/8" ALUMINUM SUPPORT TUBE
- 1/4" x 1" HH SELF THREADING SCREW
- #12 x 1/2" PFH SELF THREADING SCREW
- 1 1/2" x 2 3/4" x 1/8" U-CHANNEL



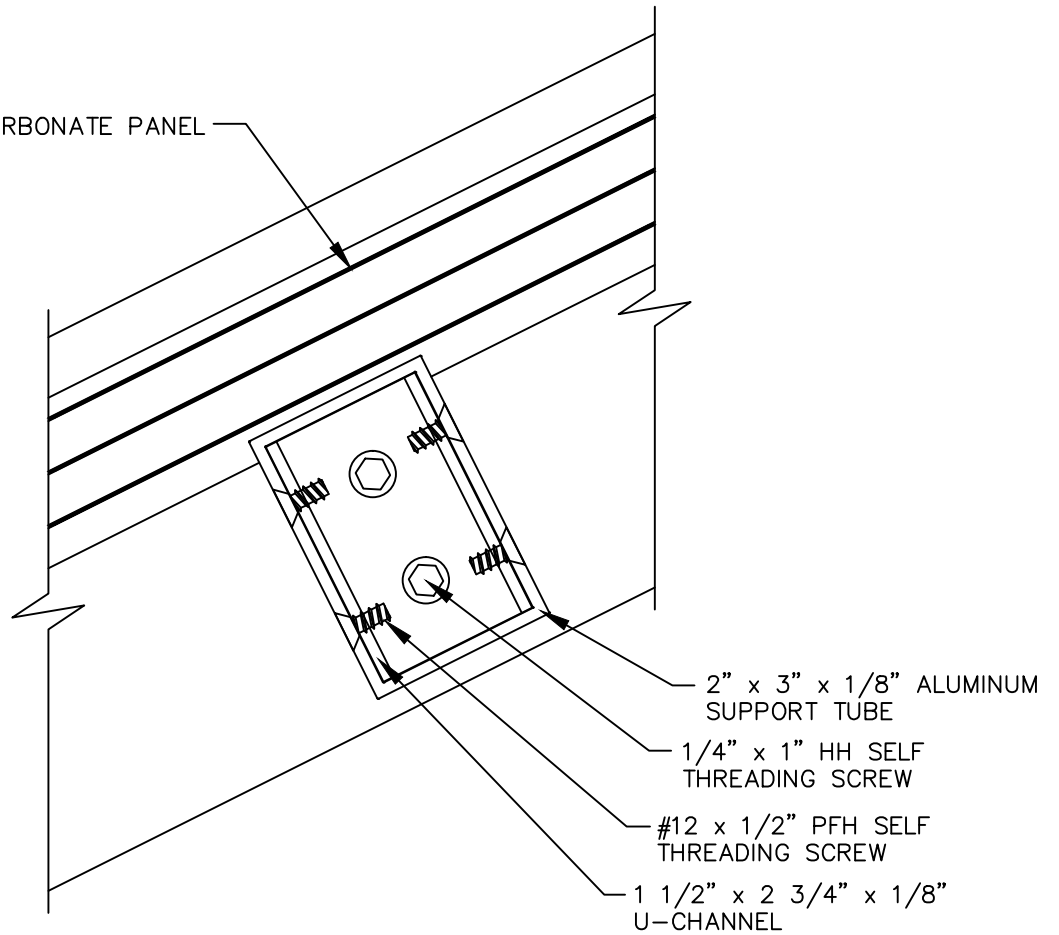
An AiA Industries Company

290 East 56th Avenue
 Denver, CO 80216
 (303) 296-9696
 Fax (303) 296-2146

2010 STRUCTURAL
 PYRAMID
 PURLIN



POLYCARBONATE PANEL



FOR MULTIWALL
POLYCARBONATE PANELS ONLY

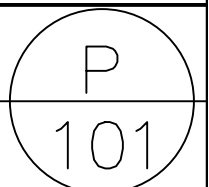


An AiA Industries Company

290 East 56th Avenue
Denver, CO 80216
(303) 296-9696
Fax (303) 296-2146

2010 STRUCTURAL
PYRAMID

PURLIN



NEUTRAL CURE 791
SILICONE SEALANT

#8 x 1" PPH SELF
THREADING SCREW
AND END CAP

EPDM GLAZING
GASKET

SETTING BLOCK

2010 CARRIER

1 7/16" x 2 3/4"
RETAINING ANGLE

#8 x 1/2" HH SELF
THREADING FASTENER

#8 x 1/2" HH SELF
THREADING SPACER
SCREW AND 3/16" Ø WEEP

3/4" RIGID INSULATION

#12 x 1/2" PFH SELF
THREADING SCREW

3" x 3" x 3/16" STRUCTURAL
RAFTER SUPPORT ANGLE

2010 STRUCTURAL BASE

SEALANT BY INSTALLER

OUTSIDE CURB
DIMENSION POINT.

CURB FLASHING BY OTHERS

ANCHOR SCREW BY INSTALLER

CURB BY OTHERS

3" MINIMUM

3" MINIMUM



An AiA Industries Company

290 East 56th Avenue
Denver, CO 80216
(303) 296-9696
Fax (303) 296-2146

2010 STRUCTURAL
PYRAMID

SILL

