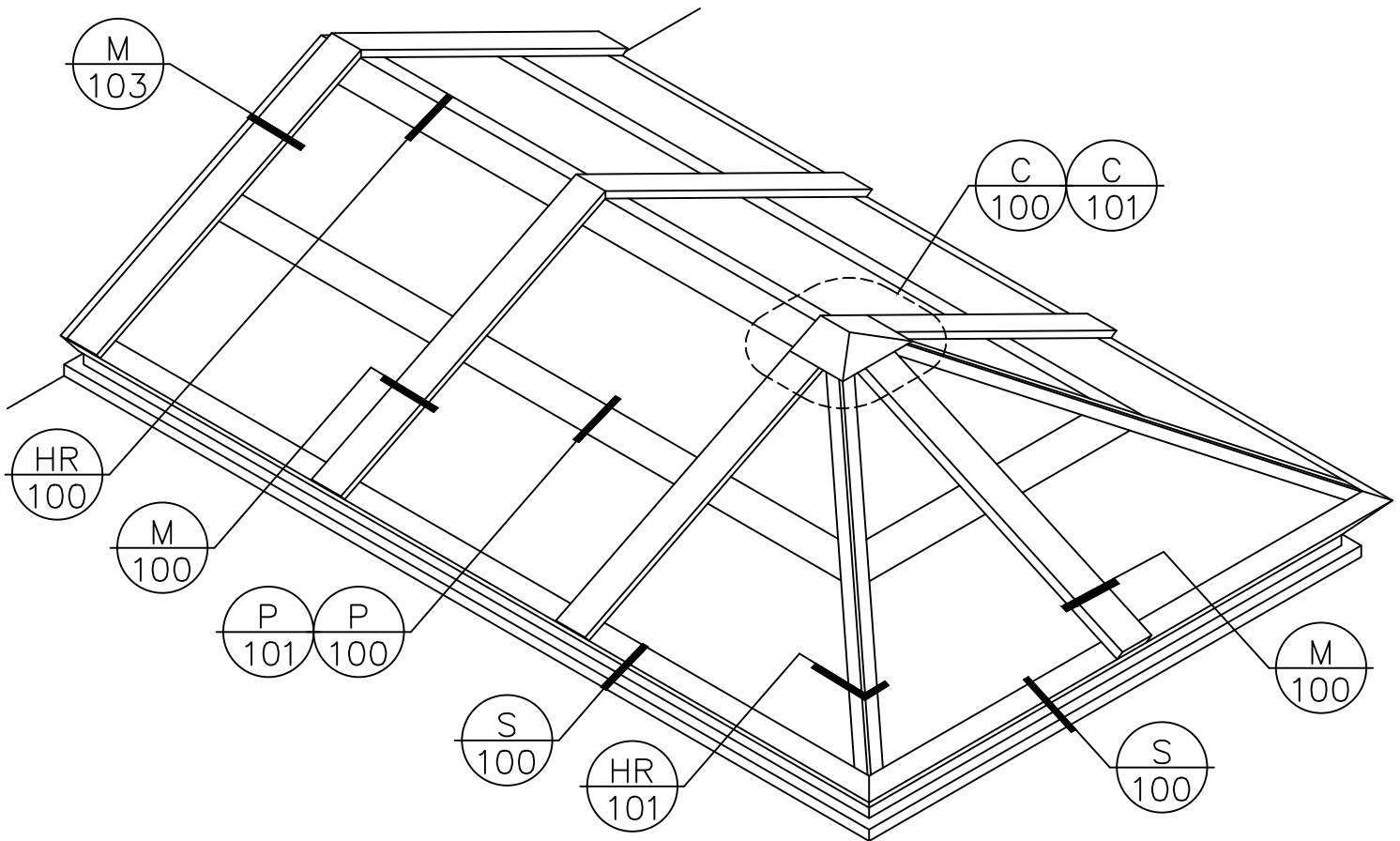


STRUCTURAL RIDGE WITH HIPPED END



An AiA Industries Company

290 East 56th Avenue
Denver, CO 80216
(303) 296-9696
Fax (303) 296-2146

2010 STRUCTURAL RIDGE
**RIDGE WITH
HIPPED END**

**PLAN
ISO**

NEUTRAL CURE 791
SILICONE SEALANT

#8 x 1" PPH SELF
THREADING SCREW
AND END CAP

EPDM GLAZING
GASKET

SETTING BLOCK

2010 CARRIER

1 7/16" x 2 3/4"
RETAINING ANGLE

#8 x 1/2" HH SELF
DRILLING FASTENER

#8 x 1/2" HH SELF
DRILLING SPACER SCREW
AND 3/16" ϕ WEEP

3/4" RIGID INSULATION

#12 x 1/2" PFH SELF
THREADING SCREW

3" x 3" x 3/16" STRUCTURAL
RAFTER SUPPORT ANGLE

2010 STRUCTURAL BASE

SEALANT BY INSTALLER

OUTSIDE CURB
DIMENSION POINT.

CURB FLASHING BY OTHERS

ANCHOR SCREW BY INSTALLER

CURB BY OTHERS

3" MINIMUM

3" MINIMUM

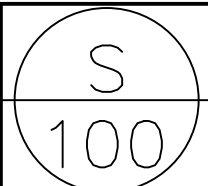


An AiA Industries Company

290 East 56th Avenue
Denver, CO 80216
(303) 296-9696
Fax (303) 296-2146

2010 STRUCTURAL
HIPPED END RIDGE

SILL



BUTT GLAZED PURLIN

NEUTRAL CURE 791 SILICONE SEALANT

#10 x 1 1/2" HH SMS FASTENER

1/8" FLAT COVER

NEUTRAL CURE 791 SILICONE SEALANT

#14x1 1/2" HH TYPE 'B' SCREW AND BOND SEAL WASHER

SETTING BLOCK

GLAZING STOP

#10 x 1 1/2" HH SMS FASTENER

EPDM GLAZING GASKET
2001 INTERMEDIATE

2" x 3" x 1/8" ALUMINUM SUPPORT TUBE

1/4" x 1" HH SELF THREADING SCREW

#12 x 1/2" PFH SELF THREADING SCREW

1 1/2" x 2 3/4" x 1/8" U-CHANNEL

PURLIN WITH FLAT COVER OPTION

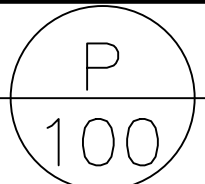


An AiA Industries Company

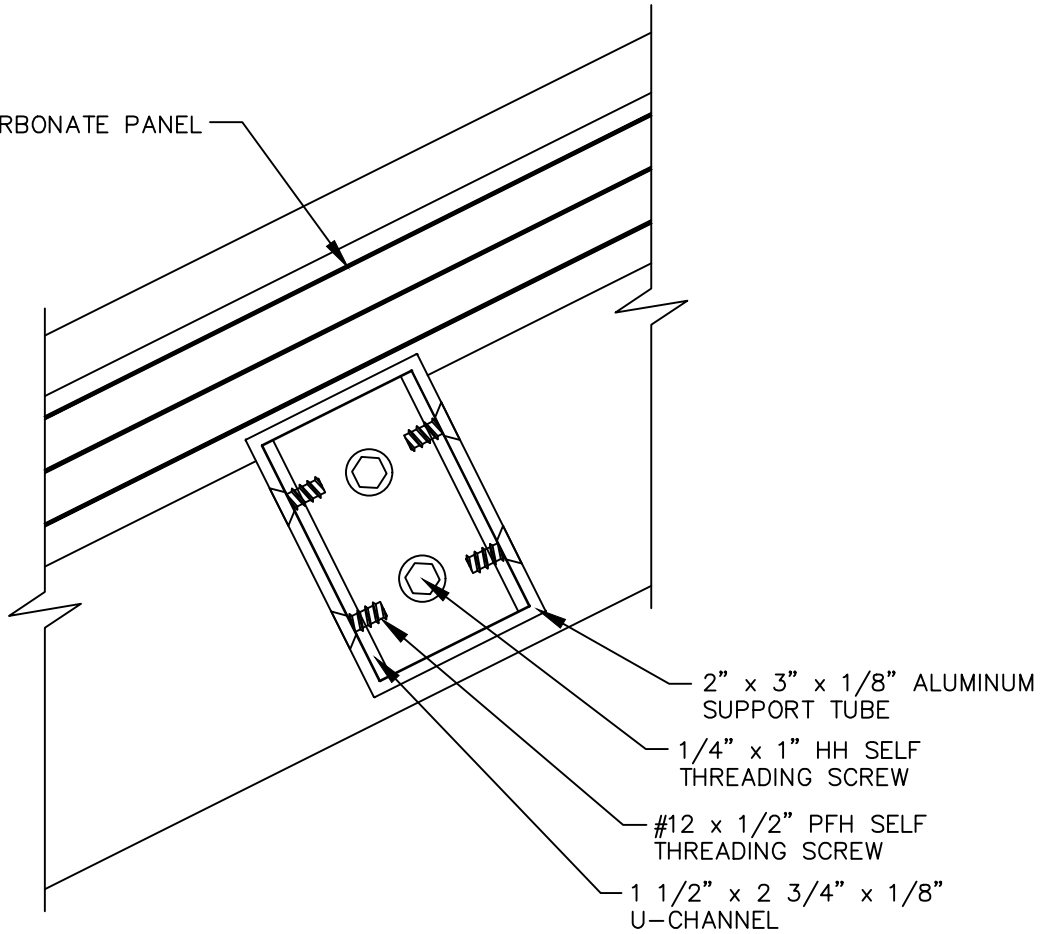
290 East 56th Avenue
Denver, CO 80216
(303) 296-9696
Fax (303) 296-2146

2010 STRUCTURAL
HIPPED END RIDGE

PURLIN



POLYCARBONATE PANEL



FOR MULTIWALL
POLYCARBONATE PANELS ONLY

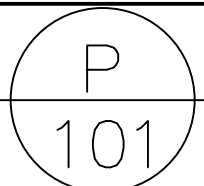
DALYTE

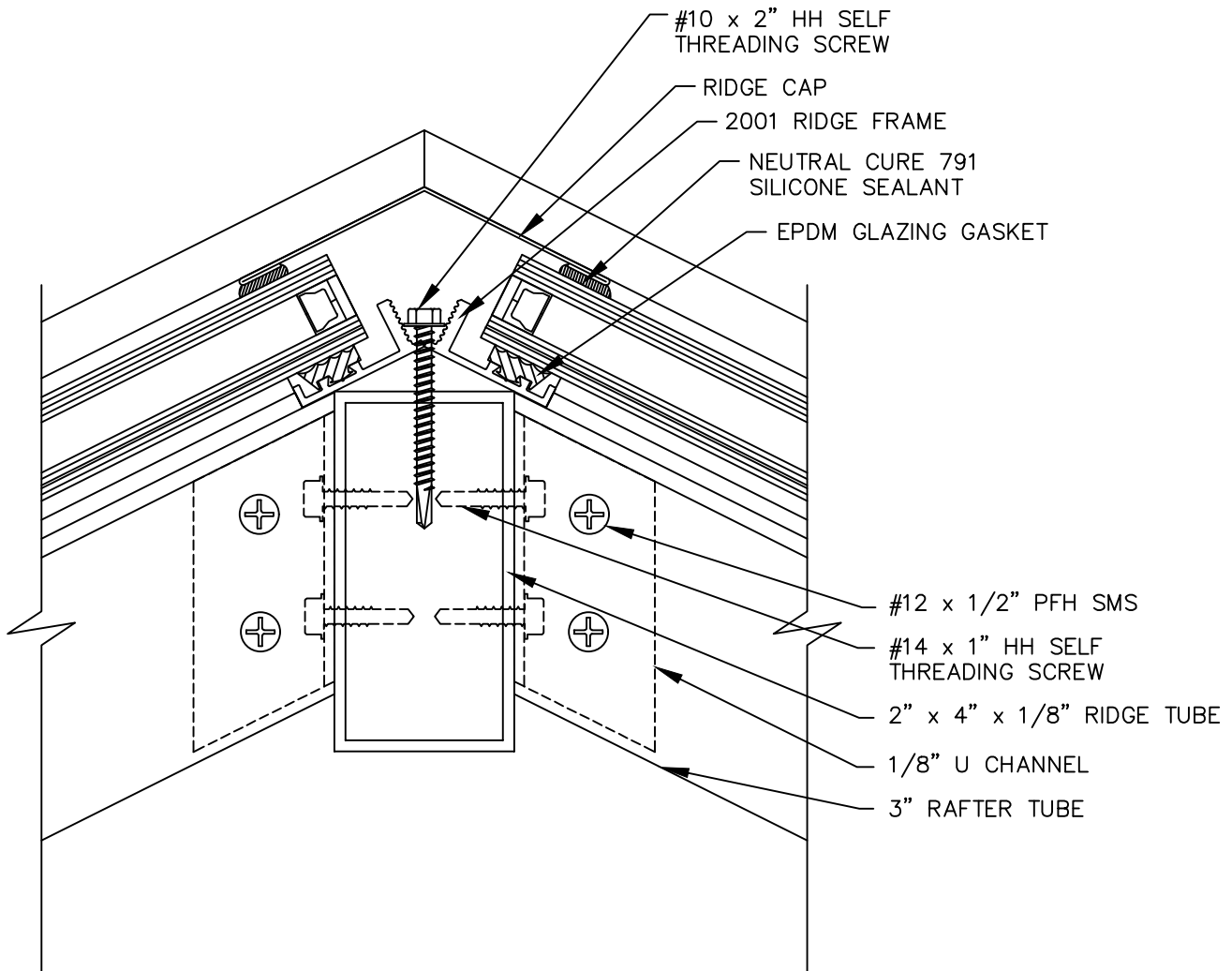
An AiA Industries Company

290 East 56th Avenue
Denver, CO 80216
(303) 296-9696
Fax (303) 296-2146

2010 STRUCTURAL
HIPPED END RIDGE

PURLIN





#10 x 2" HH SELF
THREADING SCREW

RIDGE CAP

2001 RIDGE FRAME

NEUTRAL CURE 791
SILICONE SEALANT

EPDM GLAZING GASKET

#12 x 1/2" PFH SMS

#14 x 1" HH SELF
THREADING SCREW

2" x 4" x 1/8" RIDGE TUBE

1/8" U CHANNEL

3" RAFTER TUBE

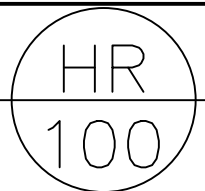


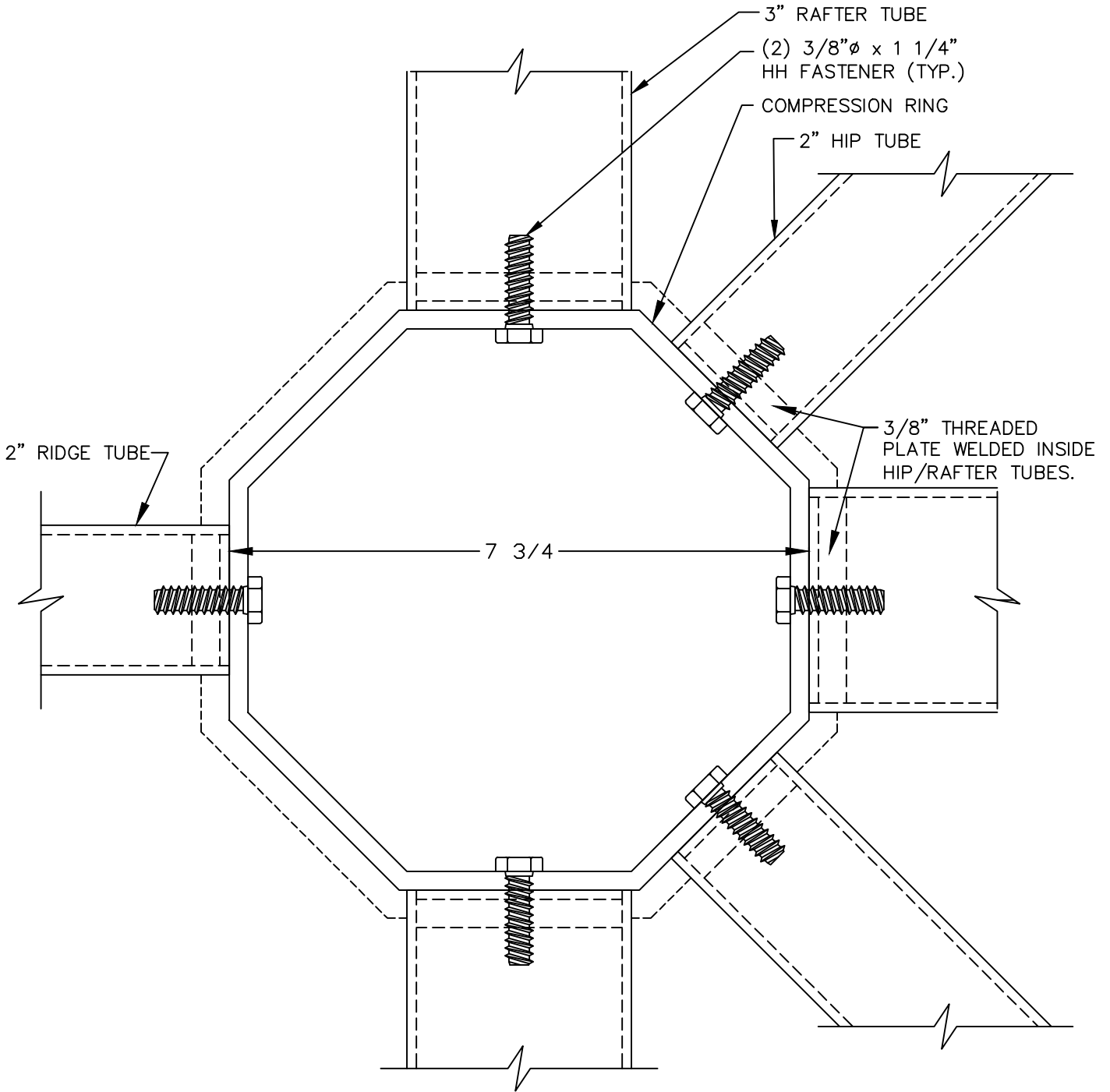
An AiA Industries Company

290 East 56th Avenue
Denver, CO 80216
(303) 296-9696
Fax (303) 296-2146

2010 STRUCTURAL
HIPPED END RIDGE

RIDGE

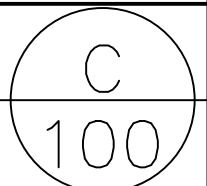




An AiA Industries Company

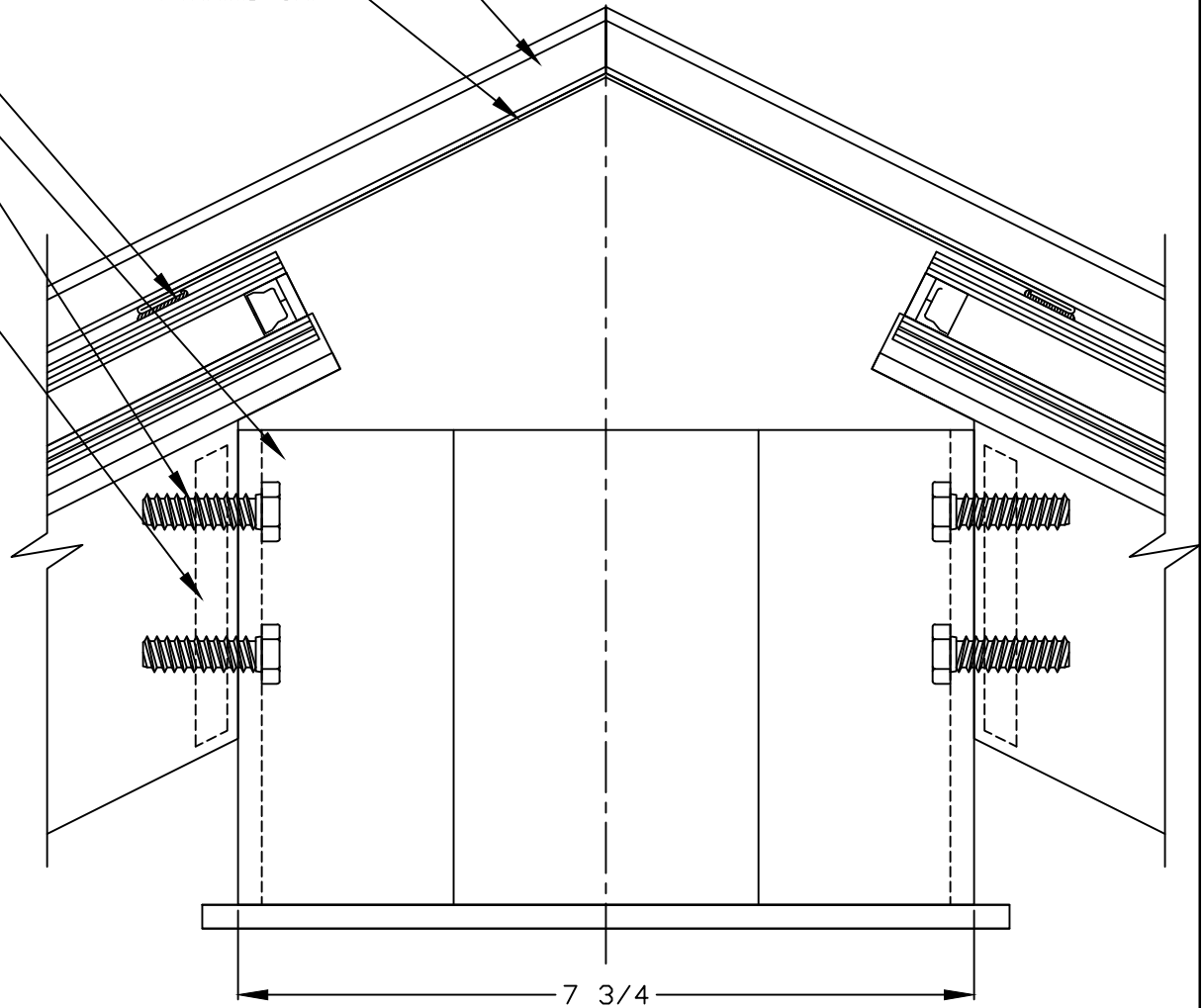
290 East 56th Avenue
 Denver, CO 80216
 (303) 296-9696
 Fax (303) 296-2146

2010 STRUCTURAL
 HIPPED END RIDGE
 COMPRESSION
 RING PLAN



BEAUTY SNAP CAP
AND PRESSURE BAR
PYRAMID CAP

NEUTRAL CURE 791
SILICONE SEALANT
COMPRESSION RING
(2) 3/8" ϕ x 1 1/4"
HH FASTENER (TYP.)
3/8" THREADED
PLATE WELDED INSIDE
HIP/RAFTER TUBES.

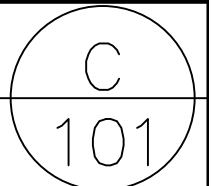


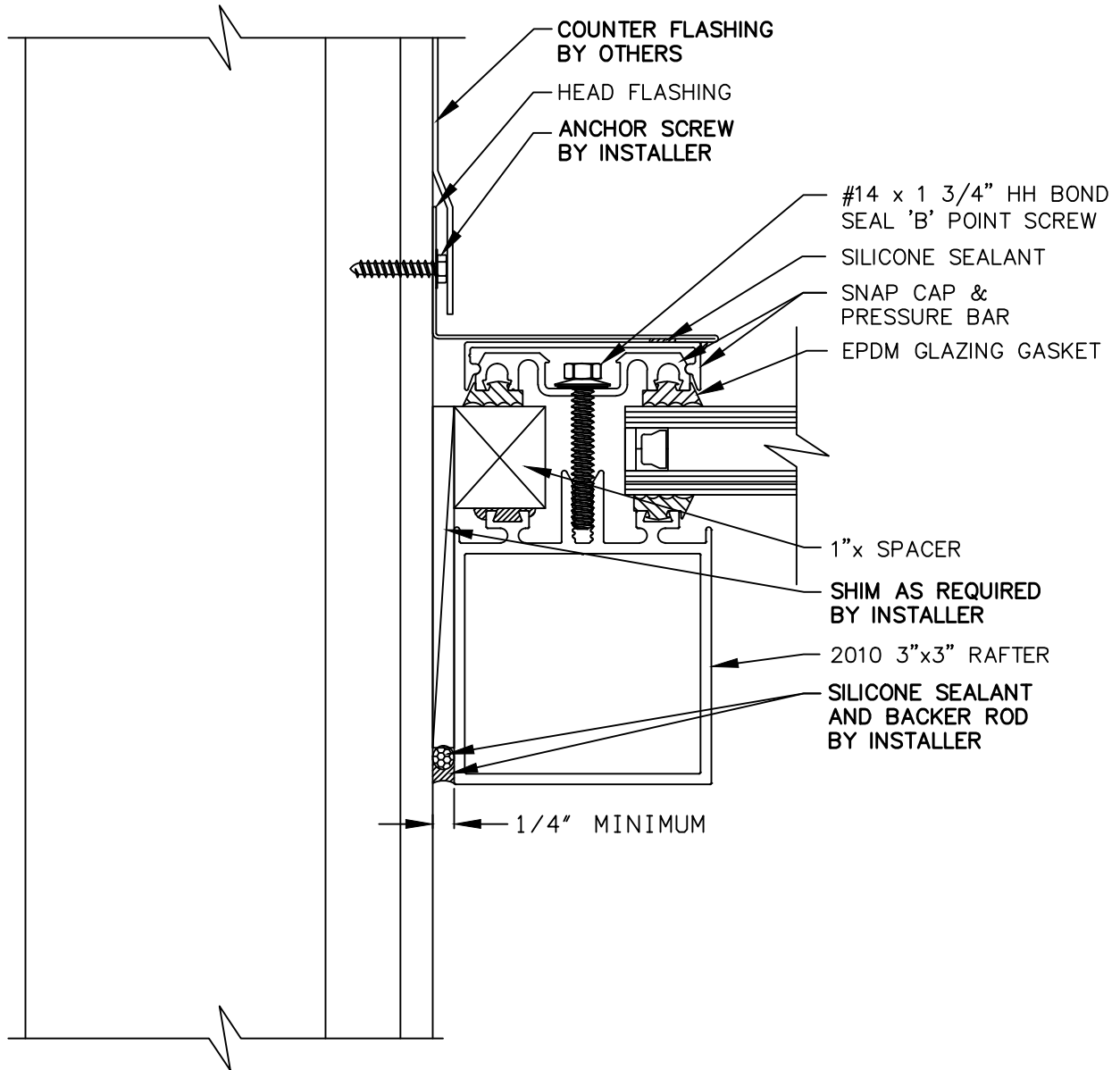
DALYTE

An AiA Industries Company

290 East 56th Avenue
Denver, CO 80216
(303) 296-9696
Fax (303) 296-2146

2010 STRUCTURAL
HIPPED END RIDGE
COMPRESSION
RING SECTION

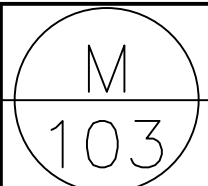


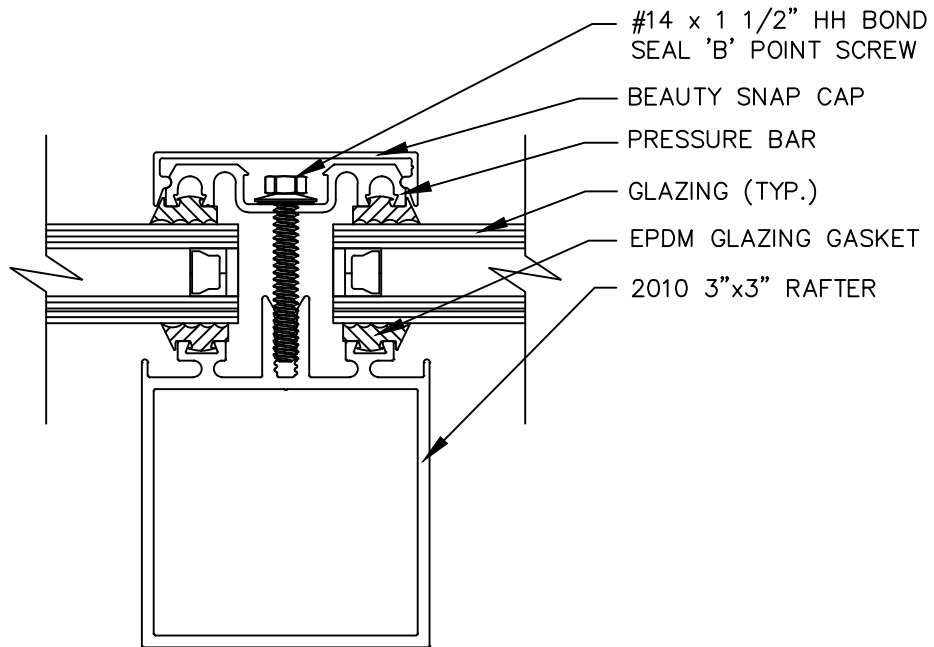


An AiA Industries Company

290 East 56th Avenue
 Denver, CO 80216
 (303) 296-9696
 Fax (303) 296-2146

2010 STRUCTURAL
 HIPPED END RIDGE
 RAFTER AT
 END WALL



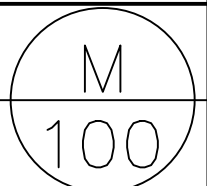


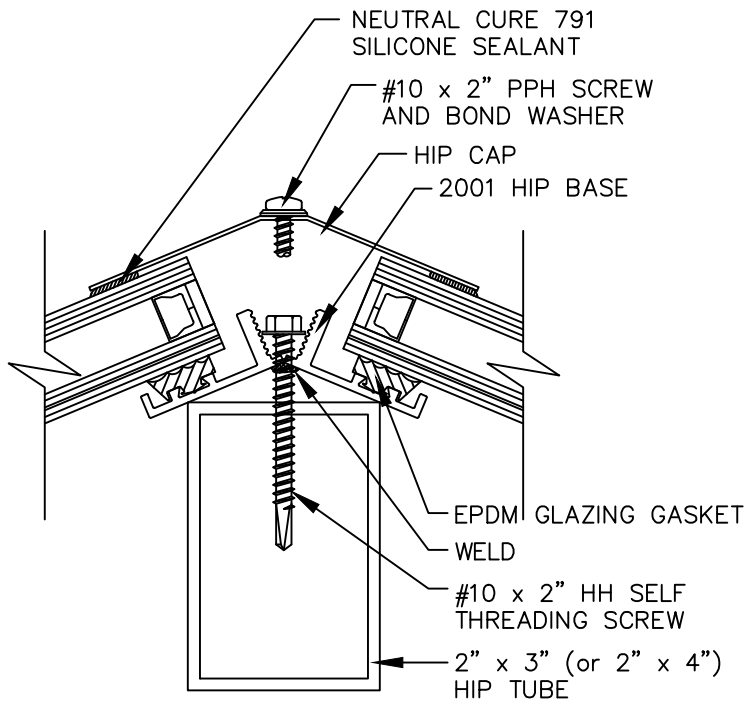
An AiA Industries Company

290 East 56th Avenue
 Denver, CO 80216
 (303) 296-9696
 Fax (303) 296-2146

2010 STRUCTURAL
 HIPPED END RIDGE

RAFTER





An AiA Industries Company

290 East 56th Avenue
 Denver, CO 80216
 (303) 296-9696
 Fax (303) 296-2146

2010 STRUCTURAL
 HIPPED END RIDGE

HIP

