



Design your sky @ DALYTEUSA.COM

290 East 56th Avenue
Denver, CO 80216
303-296-9696

Salesperson: _____

Please Fill Out and Fax to: 303-296-2146 or
E-Mail to: sales@dalyteusa.com


CURB MOUNT SKYLIGHT WORKSHEET

Sold To: _____ Phone: _____ Fax: _____
Address: _____ City: _____ State: _____ Zip: _____
Contact: _____ Project/PO: _____ E-Mail: _____


QTY.	Outside Curb Dimension (OCD) See Below (In Inches)	Custom Dome Height 20-25% of smaller dimension if not specified	Other Notes
	X		
	X		
	X		
	X		

Skylight Type: (Choose One)


Standard Acrylic Dome



Optional Acrylic Pyramid
6:12 Standard Slope



Optional Flat
2:12 Minimum Slope



Optional Custom Shape

Frame and Retainer Finish:
(Choose One)

Clear Anodized

Dark Bronze Anodized

Custom Frame Finish:

Glazing: (Choose One)

Standard Double Acrylic Dome

Clear over Clear
 Bronze over Clear
 Clear over White

Optional Single Acrylic Dome

Clear Bronze White

Optional:

Flat Insulated Glass Standard: Low-E Clear

Optional Bronze
 Custom: _____

Flat Multiwall Translucent Polycarbonate Panel Standard: 16mm (5/8")

Clear Opal (White)
 Bronze Custom: _____

Optional:

25mm (1") 3 Wall
 25mm (1") 7 Wall

OSHA Fall-Guard Protection:

YES: Include Optional Custom OSHA Fall-Guard Protection.



FALL-GUARD (SHIPPED LOOSE), GALVANIZED FINISH

NO: OSHA Fall-Guards NOT Needed Because There Are Other Types of OSHA Fall Protection By Others.

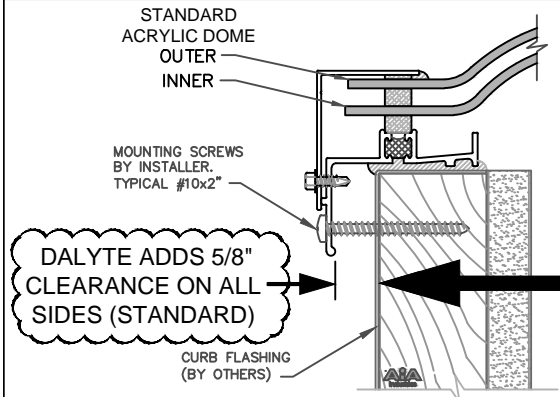
Initial _____

Options:

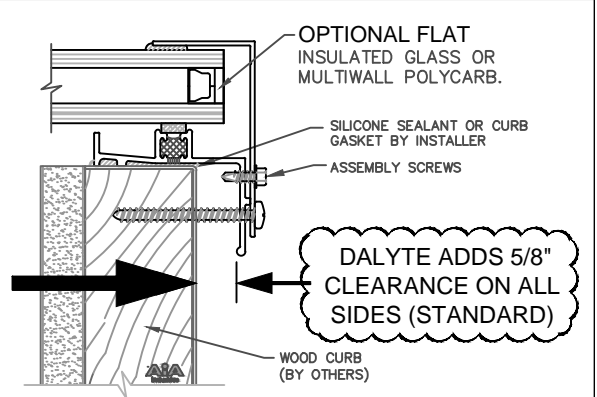
CLEAR Heat Block, High Impact
Clear outer with slight green tint

Installation Supplies:

Installation Kit
-3/4" Wide x 1/4" High x 25' Long Curb Gasket, and
-(16) #10x2" PPH SMS Installation Screws



OUTSIDE CURB DIMENSION (OCD)



Approved By: _____ Date: _____

Specifications: Skylights as manufactured by DALYTE Denver, Colorado. Units consist of an extruded aluminum 6063-T6 inner frame (.070") with a polyurethane thermal-brake to reduce thermal transfer through the aluminum frame to minimize condensation on the interior frame section, outer frame (.060") thick. Skylights are constructed to withstand 40 P.S.F. downward and 20 P.S.F. outward loading and constructed to minimize air infiltration with provisions for adequate moisture weeping to exterior.
Dome units shall consist of an acrylic thermoformed free blown dome(s) in industry standard thickness as determined by overall size with a peel-off protective film. Glass units shall be constructed of sealed insulating glass units with tempered outer lite, and laminated inner lite.

Note: Condensation is not a Skylight defect, it's a result of atmospheric conditions inside and outside of the building. Skylights are designed to structurally account for expansion and contraction. Occasionally there may be audible popping noises especially with acrylic domes. All Skylight Glazing (transparent material) will have minor distortion especially when viewed at an angle. Tolerances are +/- 3/16".

DALYTE Skylights are not designed to support people. OSHA approved Safety devices are to be used around skylights for personal safety.
This Worksheet will supersede all details on quotation - Please double check for accuracy.