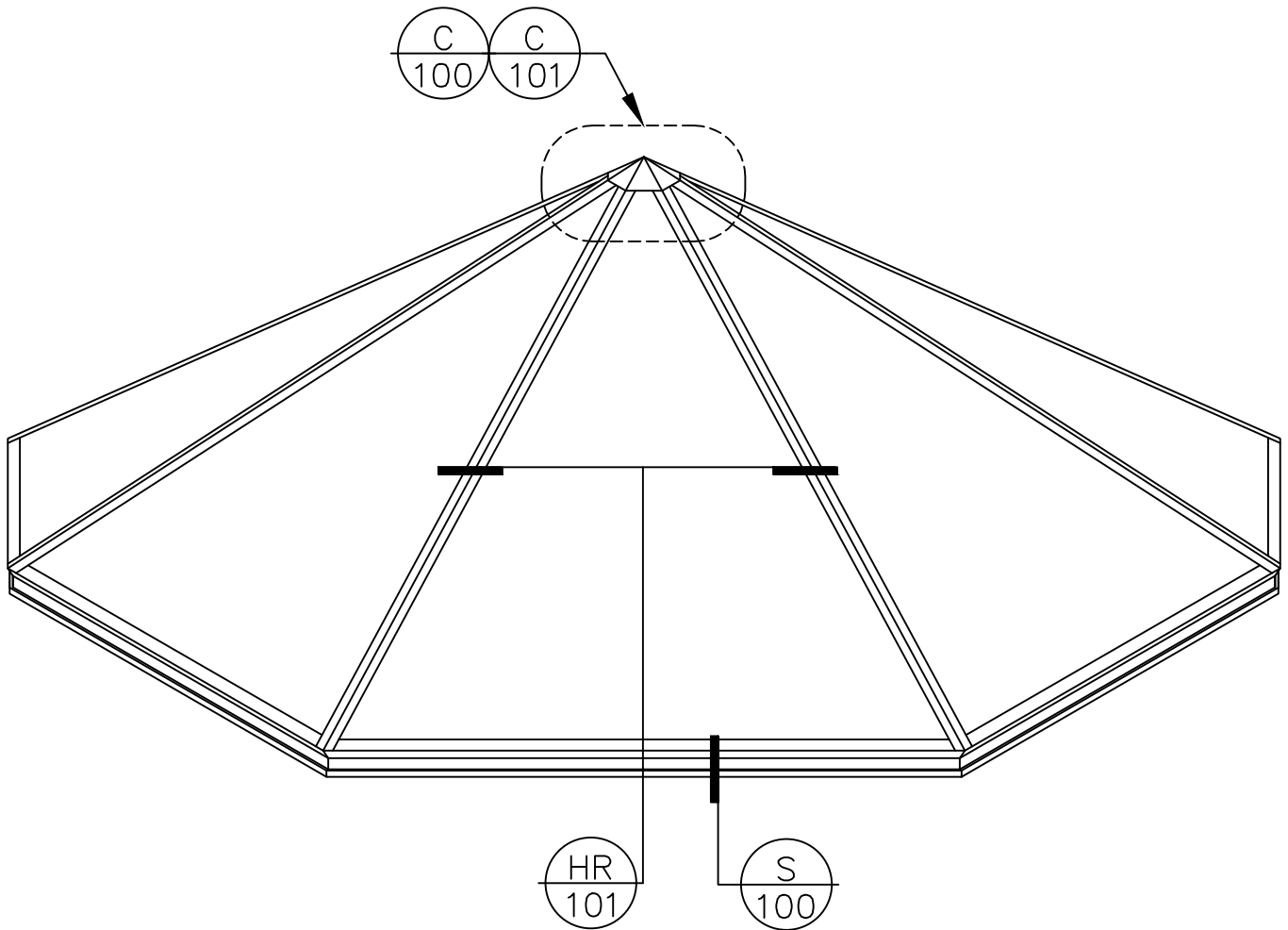


STRUCTURAL POLYGON PYRAMID
OCTAGON PYRAMID SHOWN



An AiA Industries Company

290 East 56th Avenue
Denver, CO 80216
(303) 296-9696
Fax (303) 296-2146

2010 STRUCTURAL
POLYGON
PYRAMID
OCTAGON PYRAMID SHOWN

PLAN
ISO

NEUTRAL CURE 791
SILICONE SEALANT

#8 x 1" PPH SELF
THREADING SCREW
AND END CAP

EPDM GLAZING
GASKET

SETTING BLOCK

2010 CARRIER

1 7/16" x 2 3/4"
RETAINING ANGLE

#8 x 1/2" HH SELF
DRILLING FASTENER

#8 x 1/2" HH SELF
DRILLING SPACER SCREW
AND 3/16" ϕ WEEP

3/4" RIGID INSULATION

#12 x 1/2" PFH SELF
THREADING SCREW

3" x 3" x 3/16" STRUCTURAL
RAFTER SUPPORT ANGLE

2010 STRUCTURAL BASE

SEALANT BY INSTALLER

OUTSIDE CURB
DIMENSION POINT.

CURB FLASHING BY OTHERS

ANCHOR SCREW BY INSTALLER

CURB BY OTHERS

3" MINIMUM

3" MINIMUM

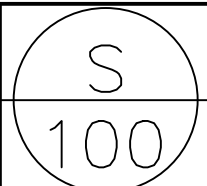


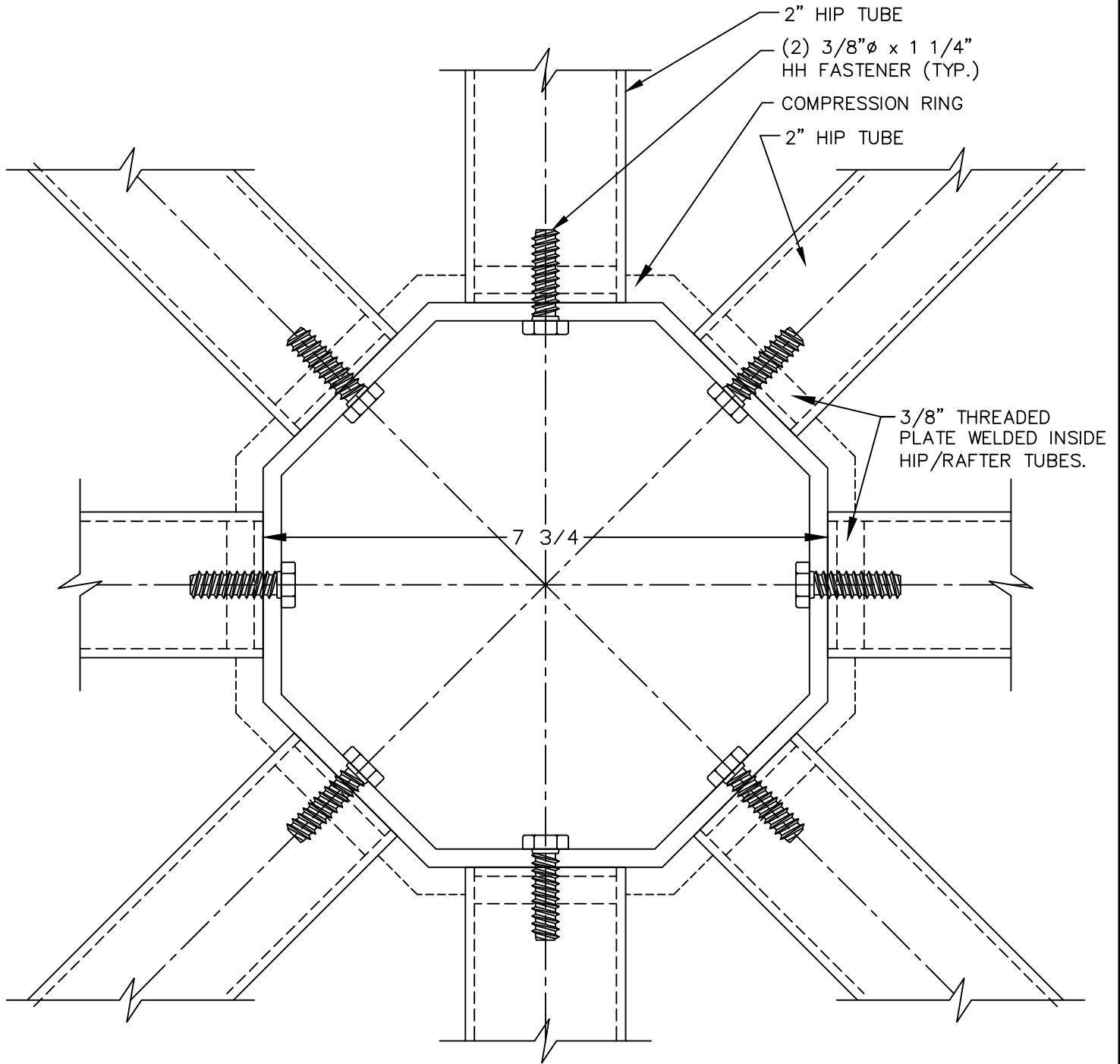
An AiA Industries Company

290 East 56th Avenue
Denver, CO 80216
(303) 296-9696
Fax (303) 296-2146

2010 STRUCTURAL
POLYGON PYRAMID

SILL





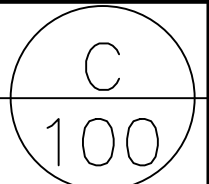
NOTE: CAPS NOT SHOWN



An AiA Industries Company

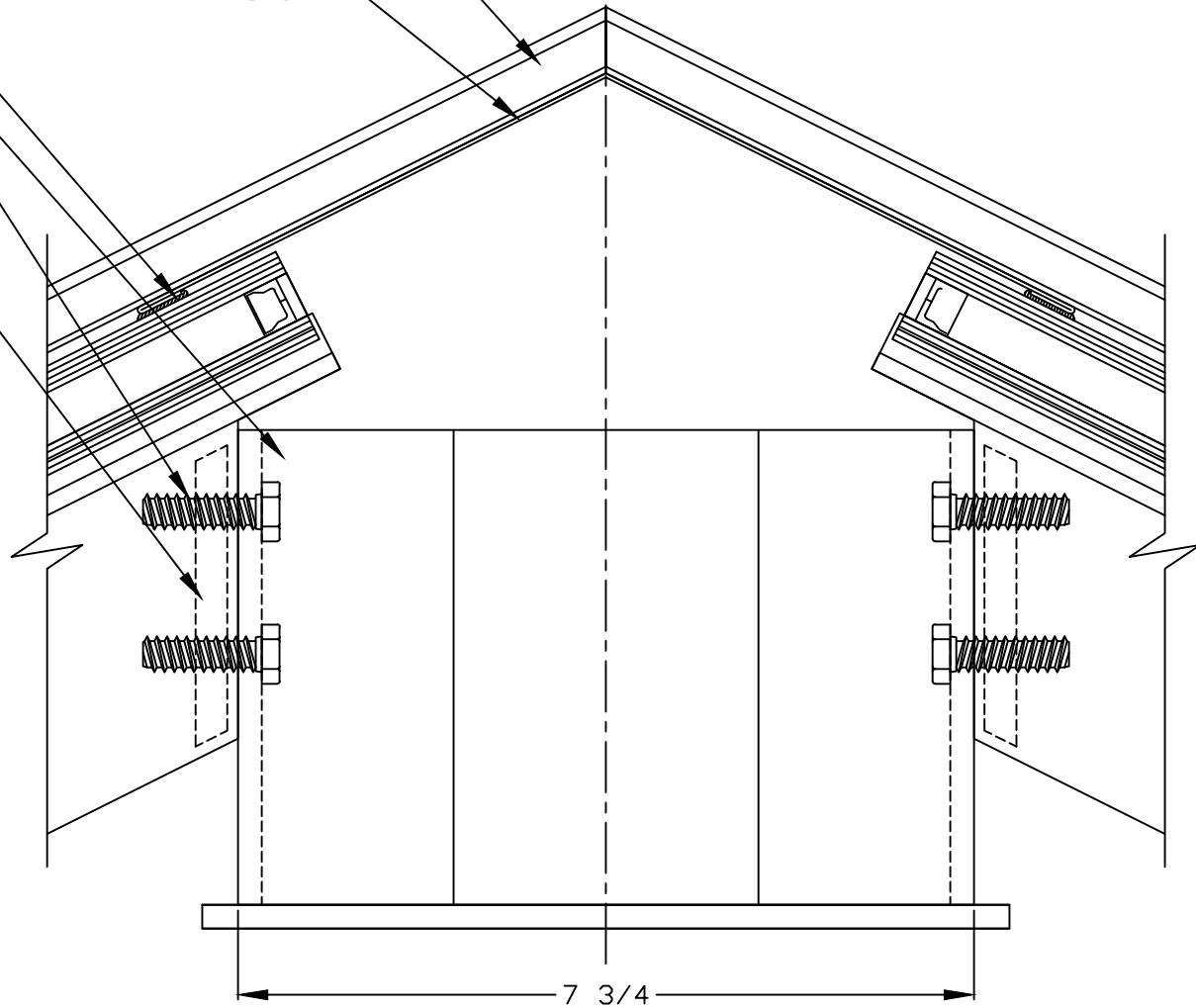
290 East 56th Avenue
 Denver, CO 80216
 (303) 296-9696
 Fax (303) 296-2146

2010 STRUCTURAL
 OCTAGON PYRAMID
 COMPRESSION
 RING PLAN



BEAUTY SNAP CAP
AND PRESSURE BAR
PYRAMID CAP

NEUTRAL CURE 791
SILICONE SEALANT
COMPRESSION RING
(2) 3/8" ϕ x 1 1/4"
HH FASTENER (TYP.)
3/8" THREADED
PLATE WELDED INSIDE
HIP/RAFTER TUBES.

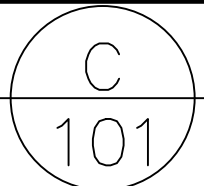


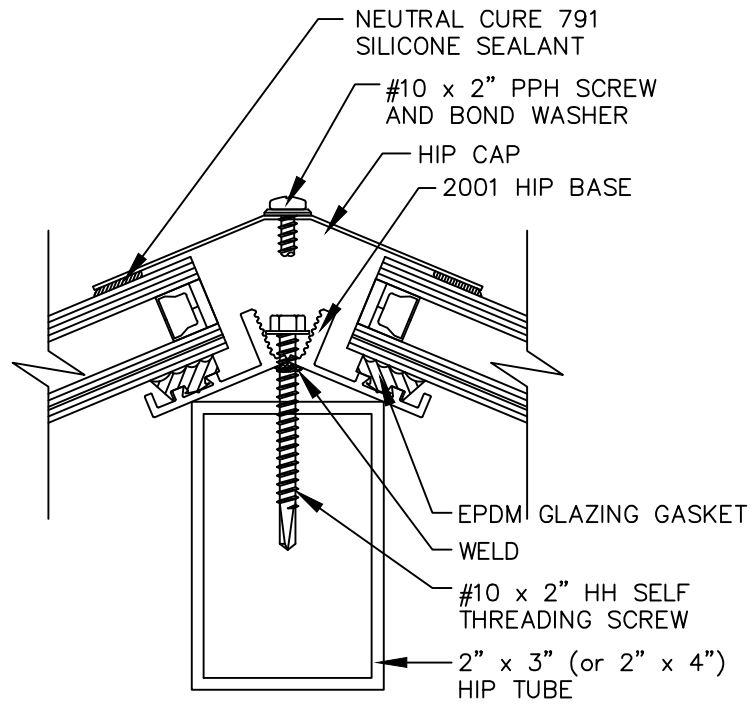
DALYTE

An AiA Industries Company

290 East 56th Avenue
Denver, CO 80216
(303) 296-9696
Fax (303) 296-2146

2010 STRUCTURAL
OCTAGON PYRAMID
COMPRESSION
RING SECTION





An AiA Industries Company

290 East 56th Avenue
 Denver, CO 80216
 (303) 296-9696
 Fax (303) 296-2146

2010 STRUCTURAL
 POLYGON PYRAMID

HIP

