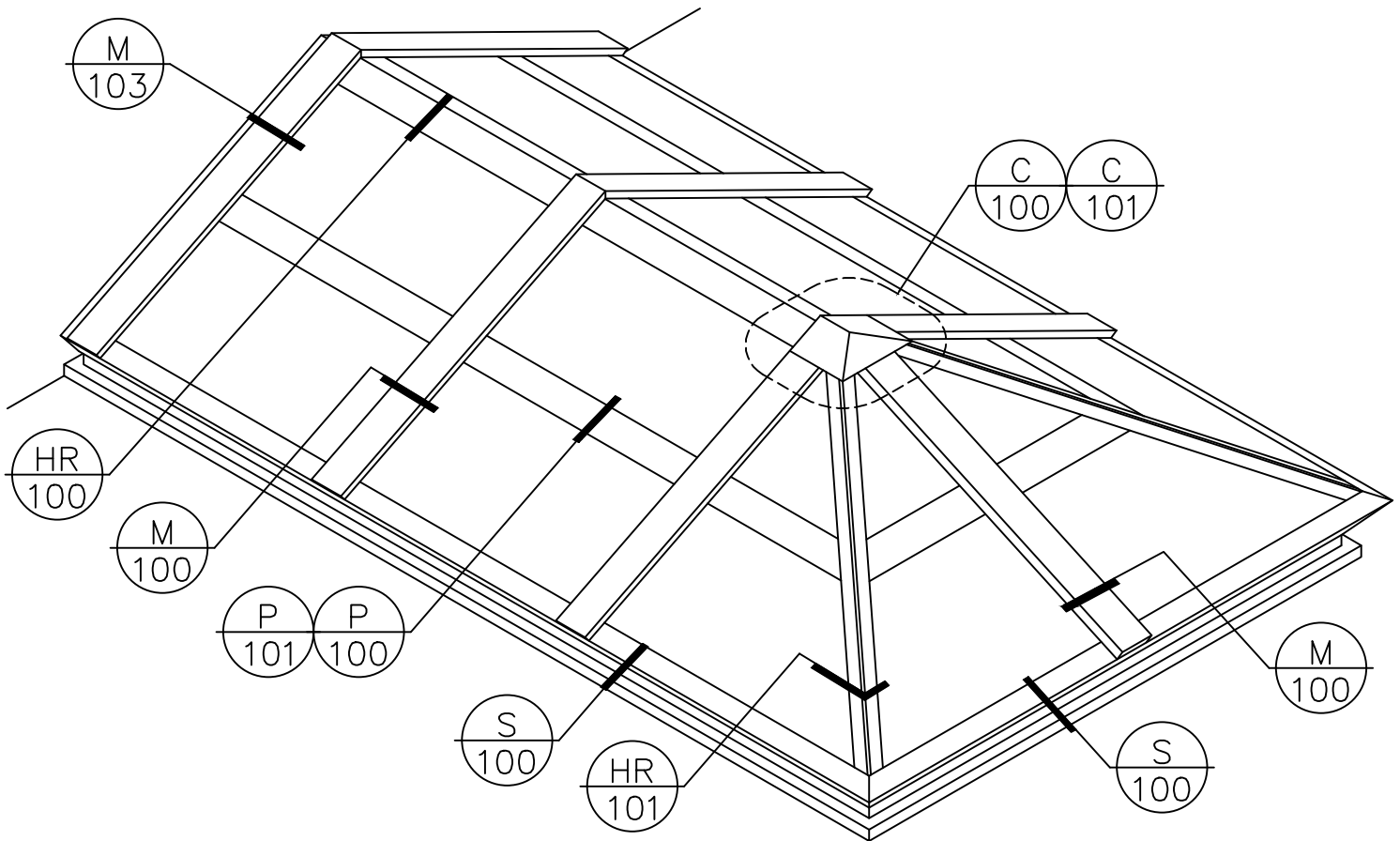


STRUCTURAL RIDGE WITH HIPPED END



An AiA Industries Company

290 East 56th Avenue
Denver, CO 80216
(303) 296-9696
Fax (303) 296-2146

2010 STRUCTURAL RIDGE
**RIDGE WITH
HIPPED END**

**PLAN
ISO**