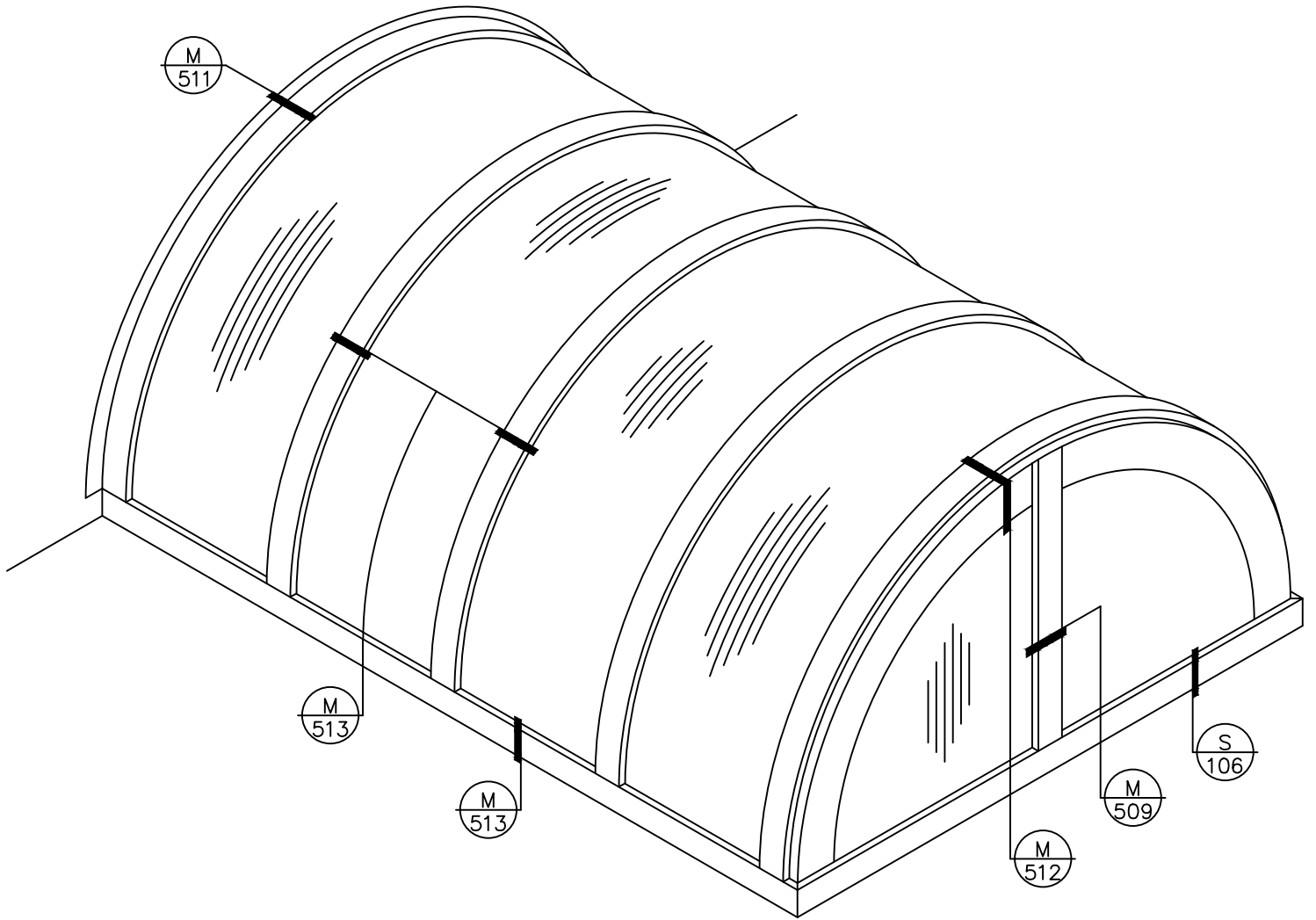


# STRUCTURAL VAULTED HALF-ROUND



**DALYTE**

An AiA Industries Company

290 East 56th Avenue  
Denver, CO 80216  
(303) 296-9696  
Fax (303) 296-2146

2010 STRUCTURAL  
VAULTED  
HALF-ROUND

PLAN  
ISO