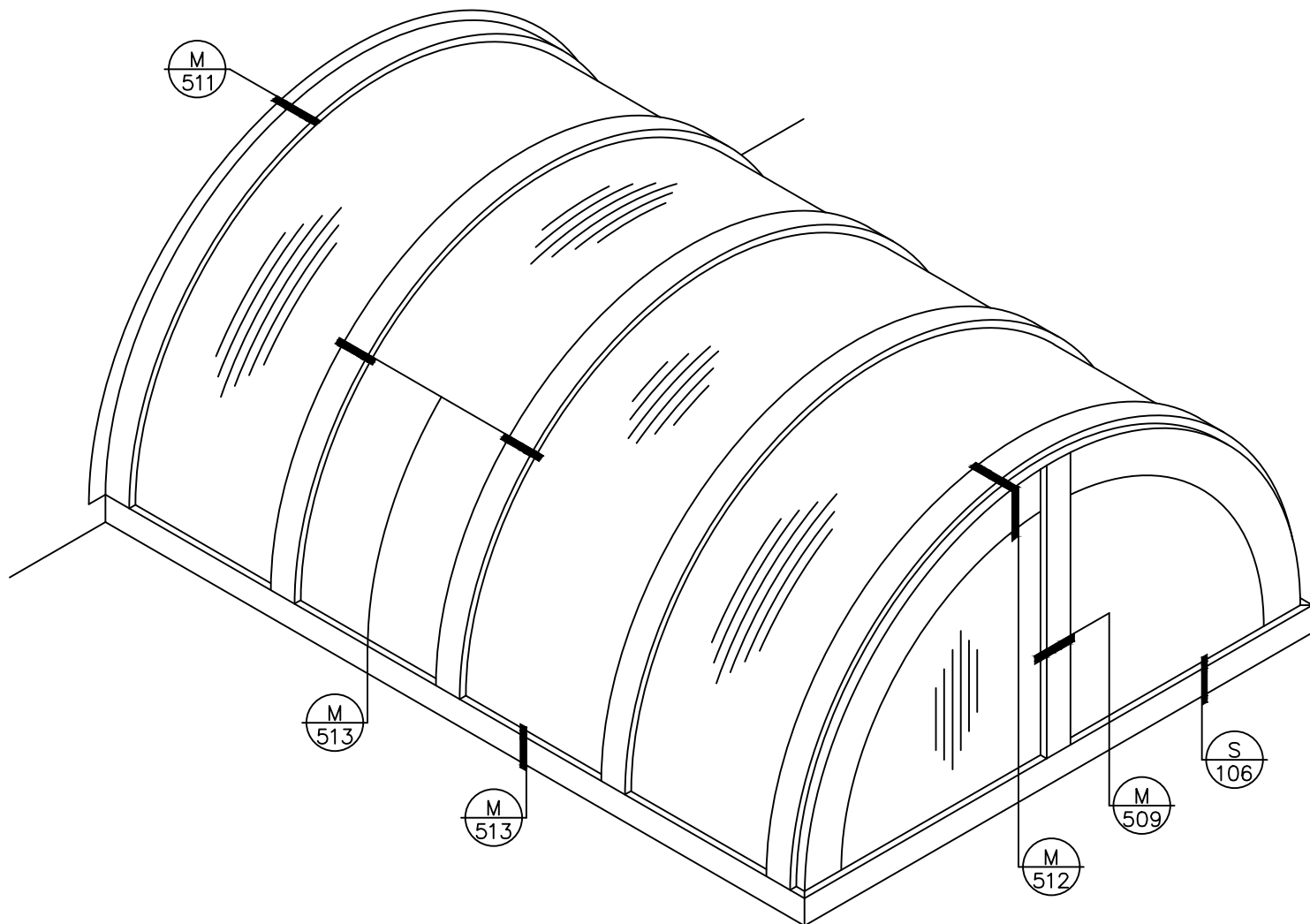


STRUCTURAL VAULTED HALF-ROUND

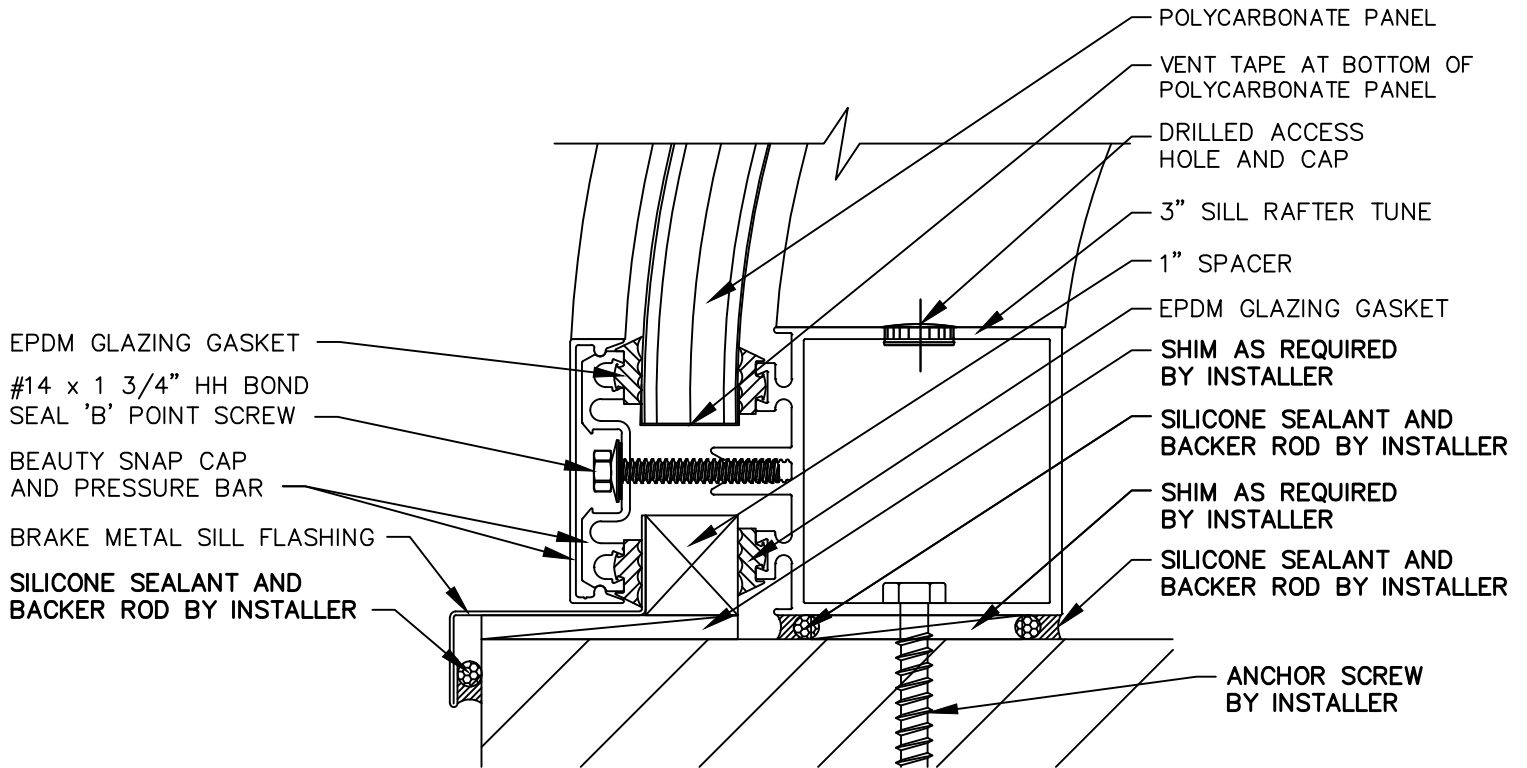


An AiA Industries Company

290 East 56th Avenue
Denver, CO 80216
(303) 296-9696
Fax (303) 296-2146

2010 STRUCTURAL
VAULTED
HALF-ROUND

PLAN
ISO

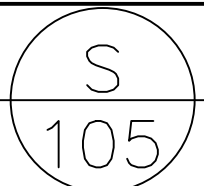


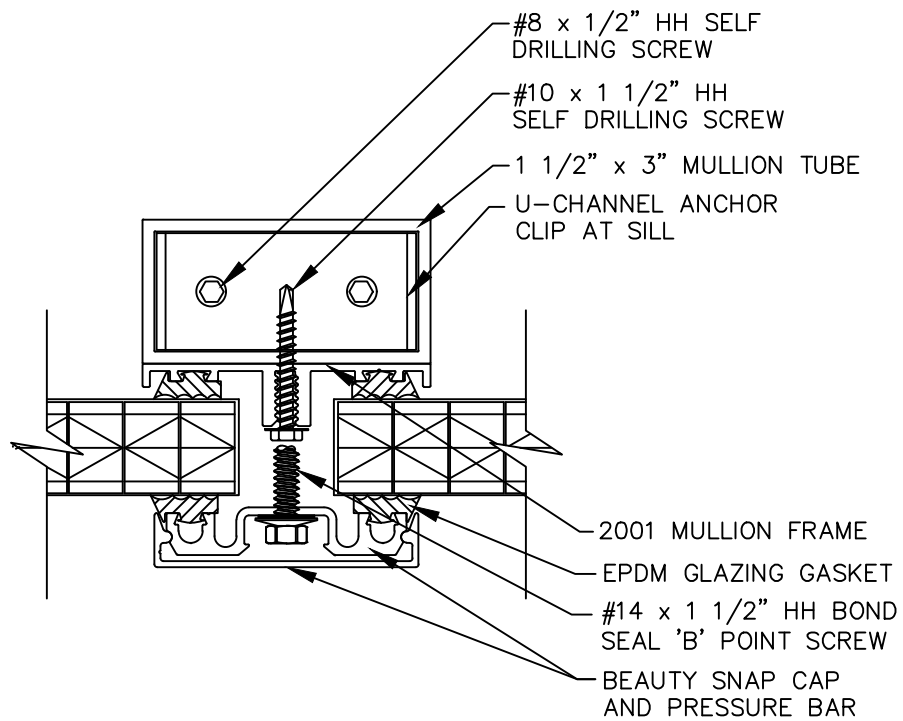
An AiA Industries Company

290 East 56th Avenue
 Denver, CO 80216
 (303) 296-9696
 Fax (303) 296-2146

2010 STRUCTURAL
 VAULTED HALF-ROUND

SILL



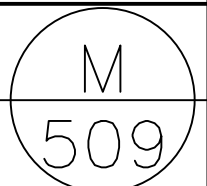


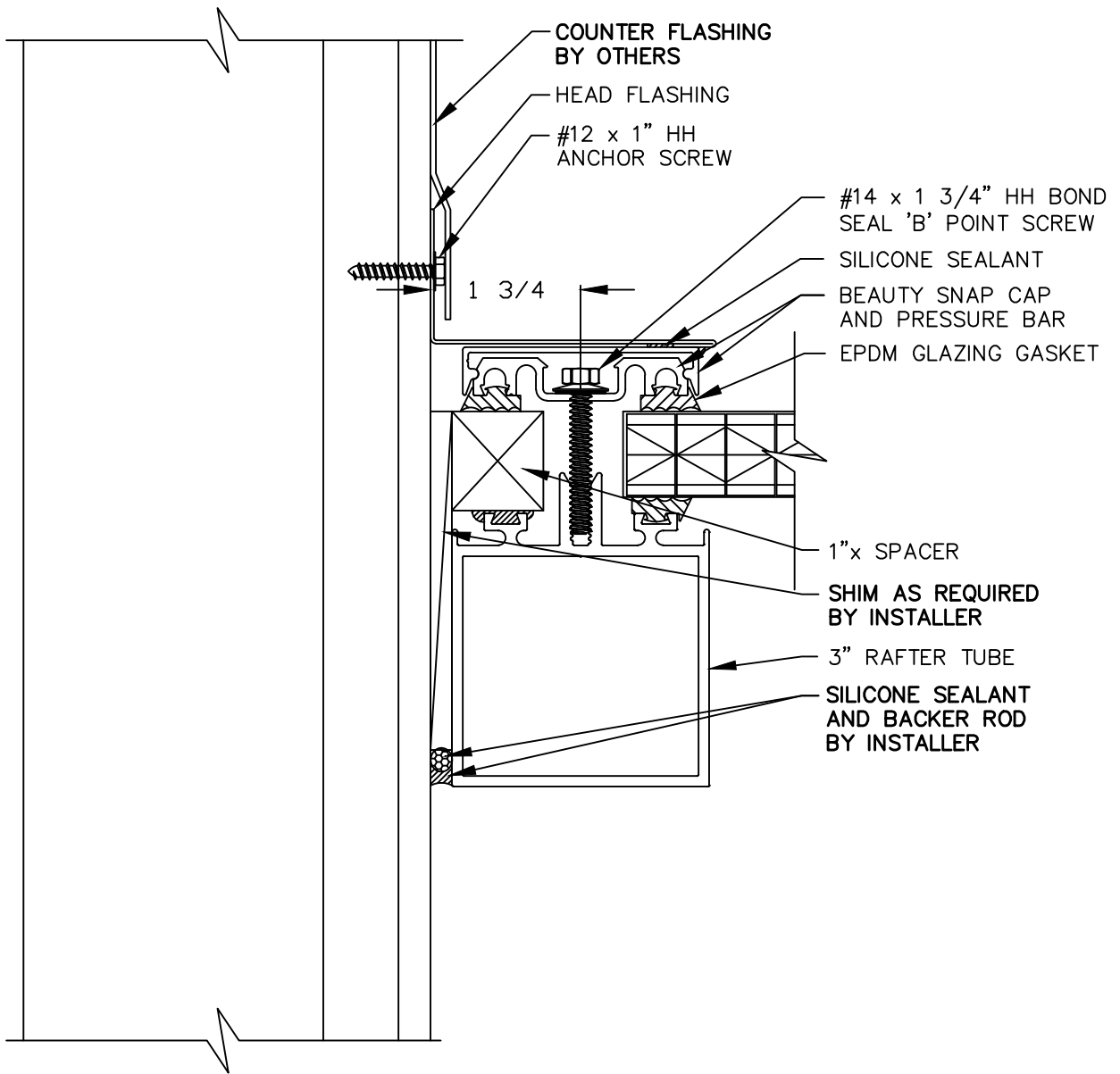
An AiA Industries Company

290 East 56th Avenue
 Denver, CO 80216
 (303) 296-9696
 Fax (303) 296-2146

2010 STRUCTURAL
 VAULTED HALF-ROUND

MULLION

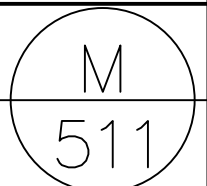


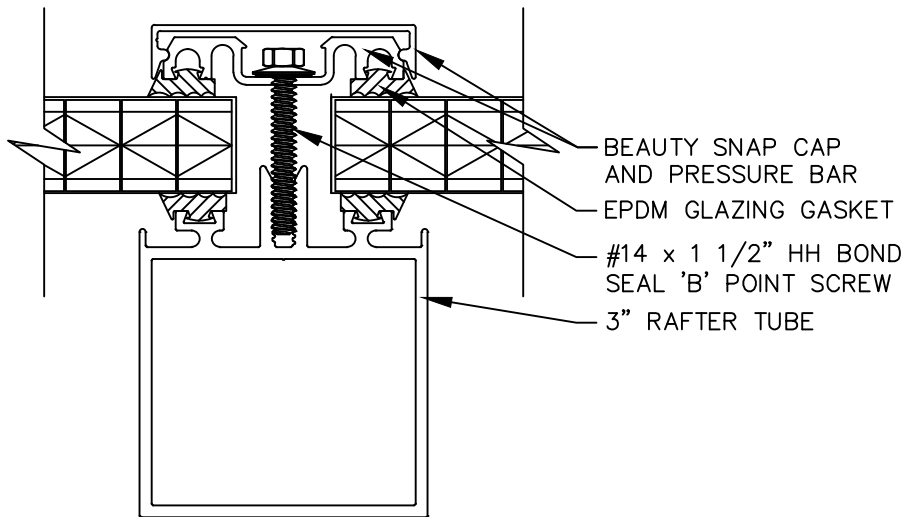


An AiA Industries Company

290 East 56th Avenue
 Denver, CO 80216
 (303) 296-9696
 Fax (303) 296-2146

2010 STRUCTURAL
 VAULTED HALF-ROUND
END RAFTER

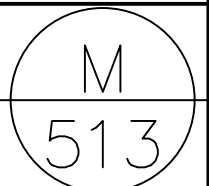


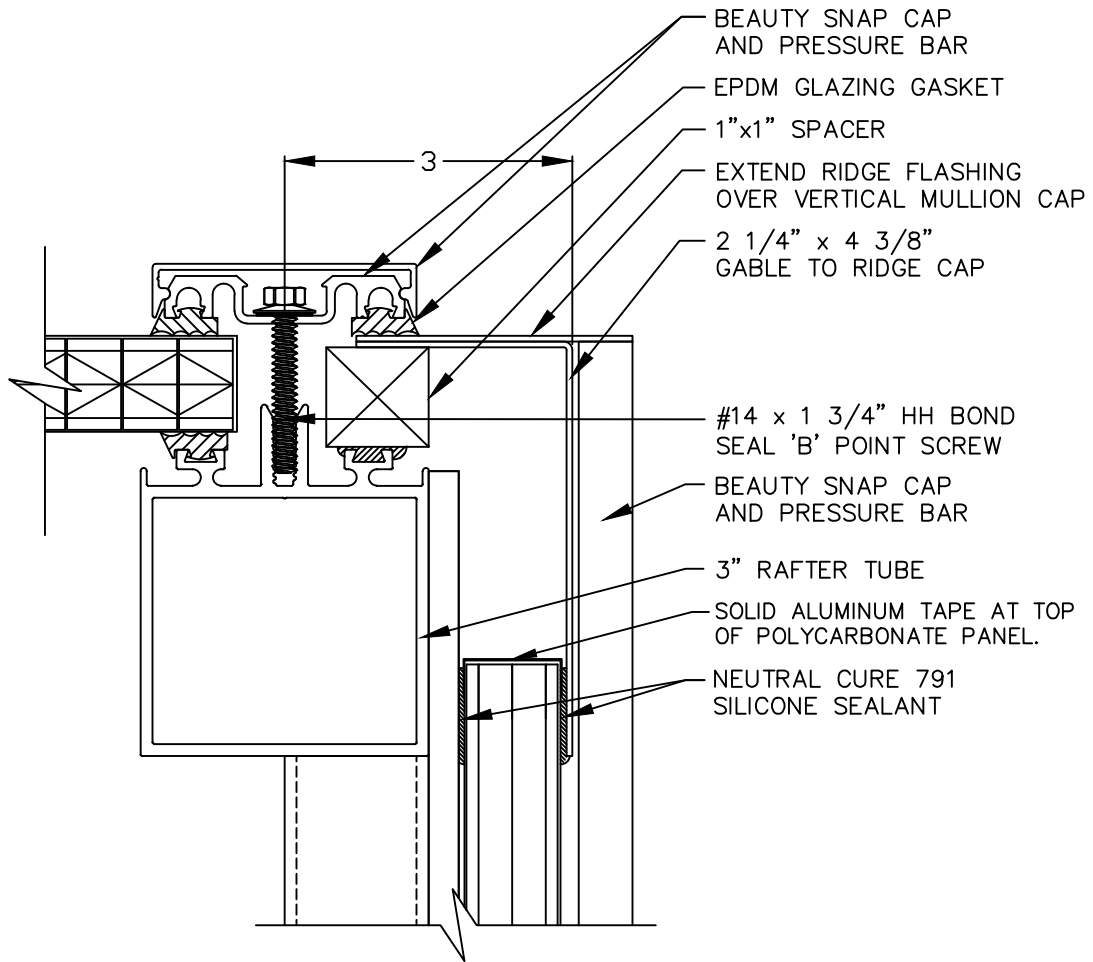


An AiA Industries Company

290 East 56th Avenue
 Denver, CO 80216
 (303) 296-9696
 Fax (303) 296-2146

2010 STRUCTURAL
 VAULTED HALF-ROUND
RAFTER

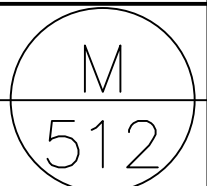


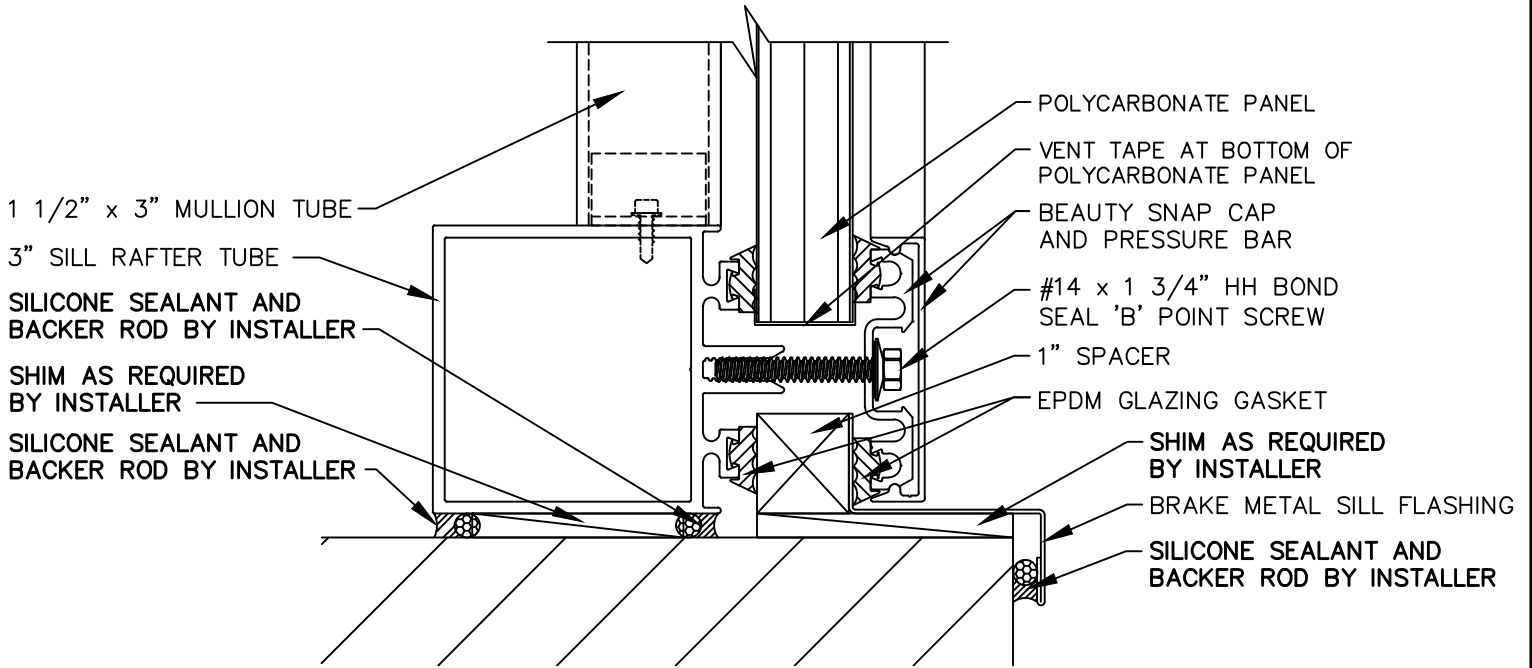


An AiA Industries Company

290 East 56th Avenue
 Denver, CO 80216
 (303) 296-9696
 Fax (303) 296-2146

2010 STRUCTURAL
 VAULTED HALF-ROUND
END RAFTER





An AiA Industries Company

290 East 56th Avenue
 Denver, CO 80216
 (303) 296-9696
 Fax (303) 296-2146

2010 STRUCTURAL
 VAULTED HALF-ROUND
GABLE END SILL

