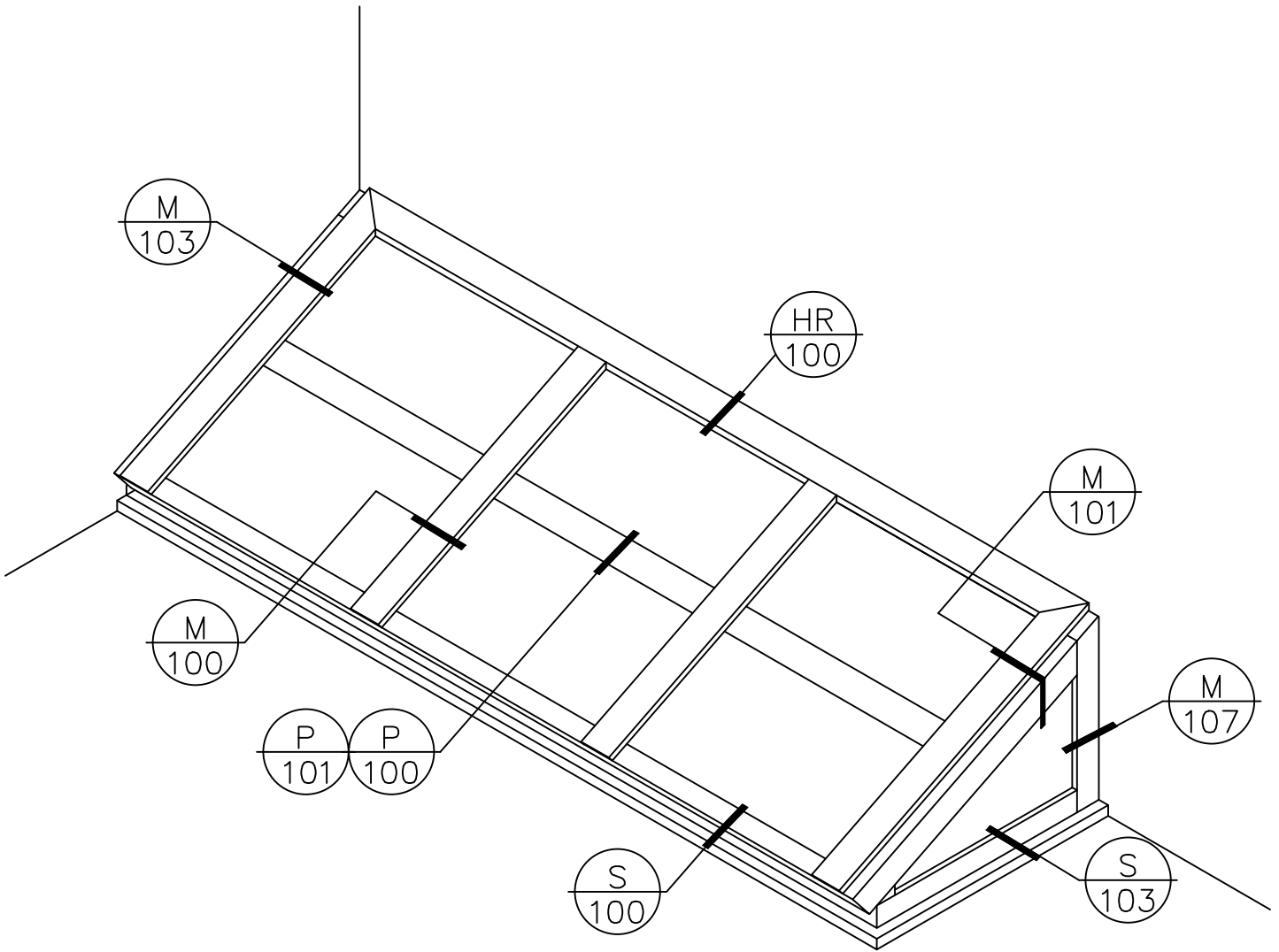


# STRUCTURAL GABLE END SINGLE SLOPE

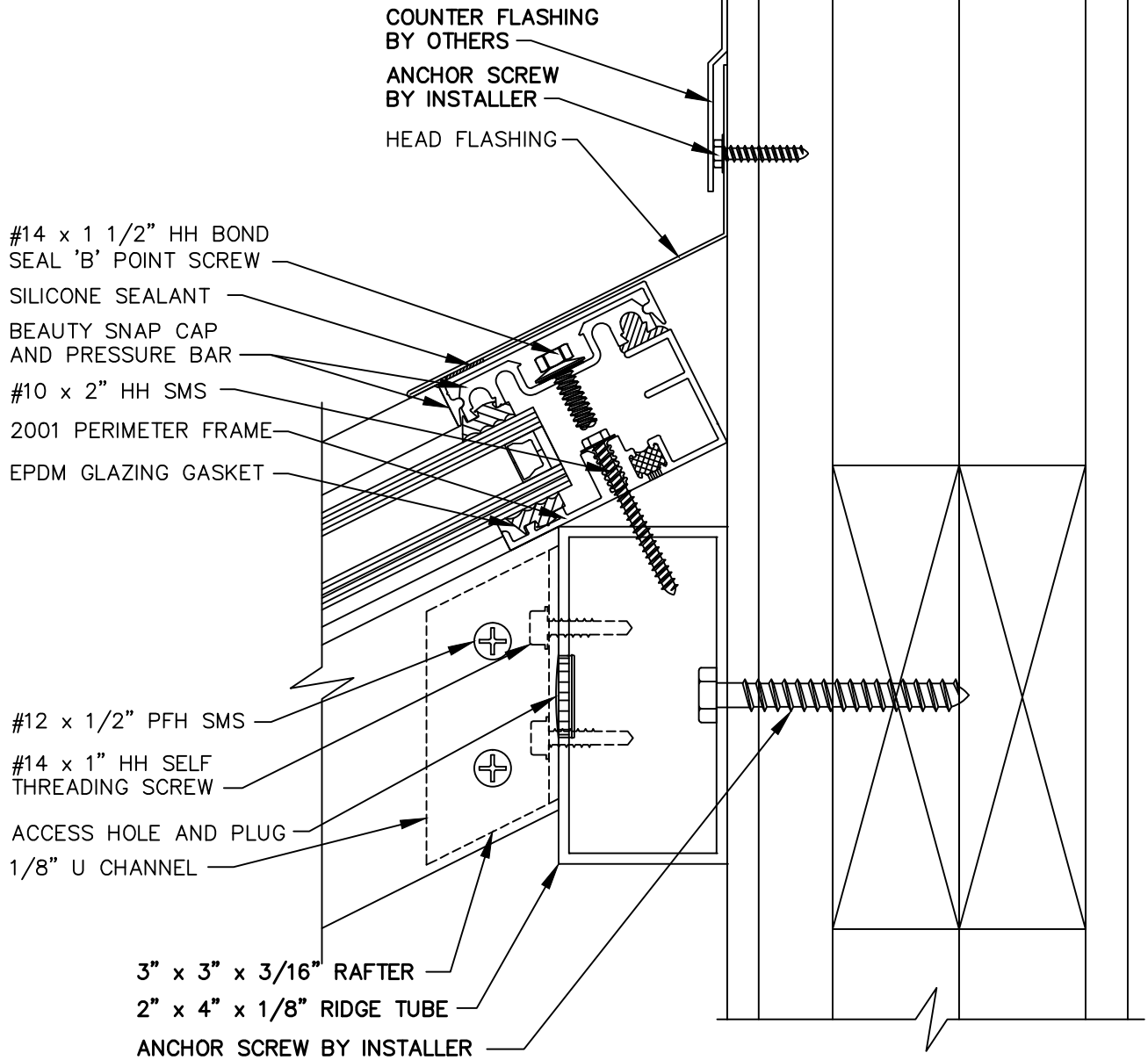


An AiA Industries Company

290 East 56th Avenue  
Denver, CO 80216  
(303) 296-9696  
Fax (303) 296-2146

2010 STRUCTURAL  
**GABLE END  
SINGLE SLOPE**

**PLAN  
ISO**



**DALYTE**

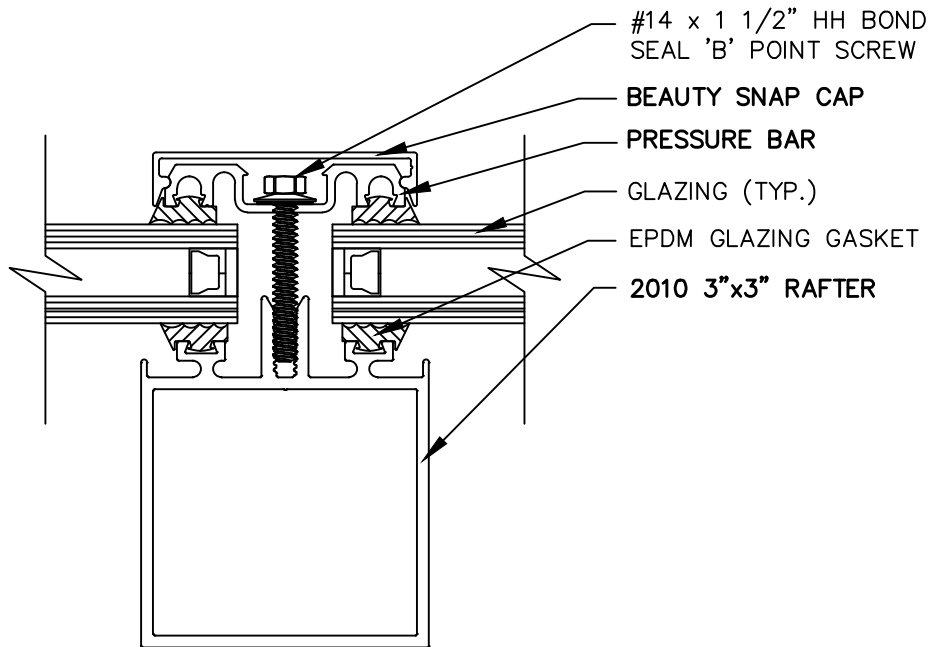
An AiA Industries Company

290 East 56th Avenue  
 Denver, CO 80216  
 (303) 296-9696  
 Fax (303) 296-2146

2010 STRUCTURAL GABLE  
 END SINGLE SLOPE

**HEAD**

HR  
 100

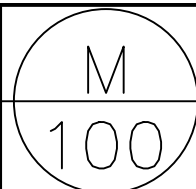


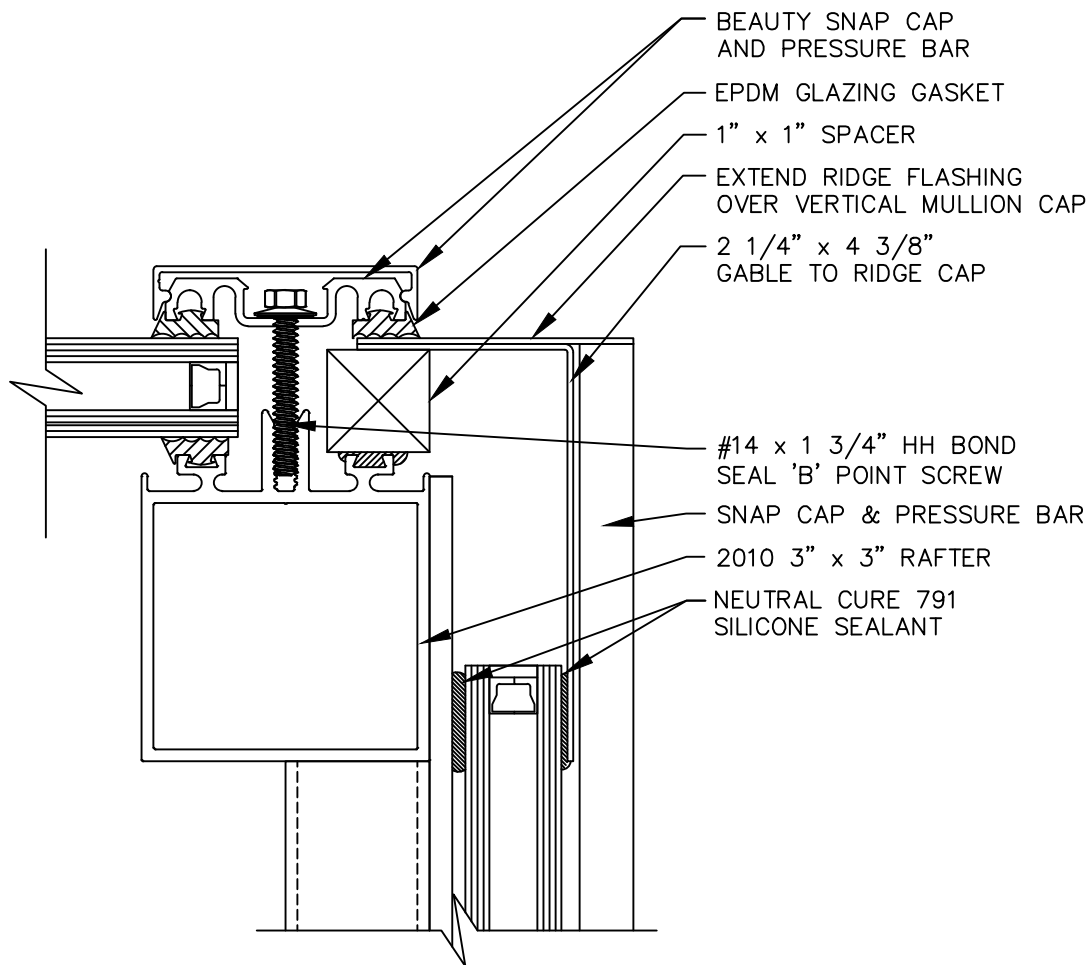
An AiA Industries Company

290 East 56th Avenue  
 Denver, CO 80216  
 (303) 296-9696  
 Fax (303) 296-2146

2010 STRUCTURAL GABLE  
 END SINGLE SLOPE

**RAFTER**



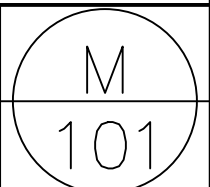


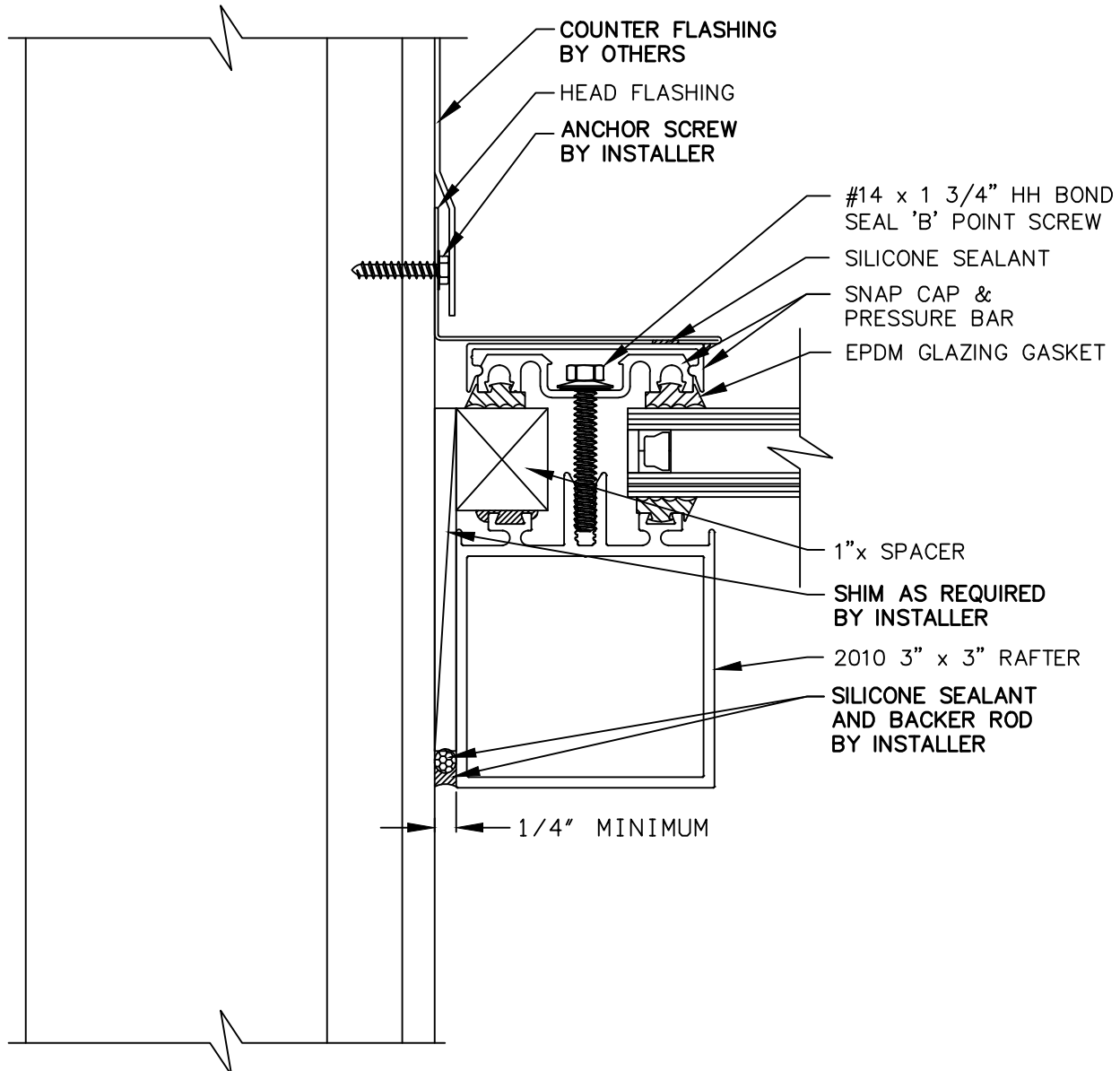
An AiA Industries Company

290 East 56th Avenue  
 Denver, CO 80216  
 (303) 296-9696  
 Fax (303) 296-2146

2010 STRUCTURAL GABLE  
 END SINGLE SLOPE

RAFTER TO GABLE

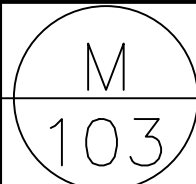


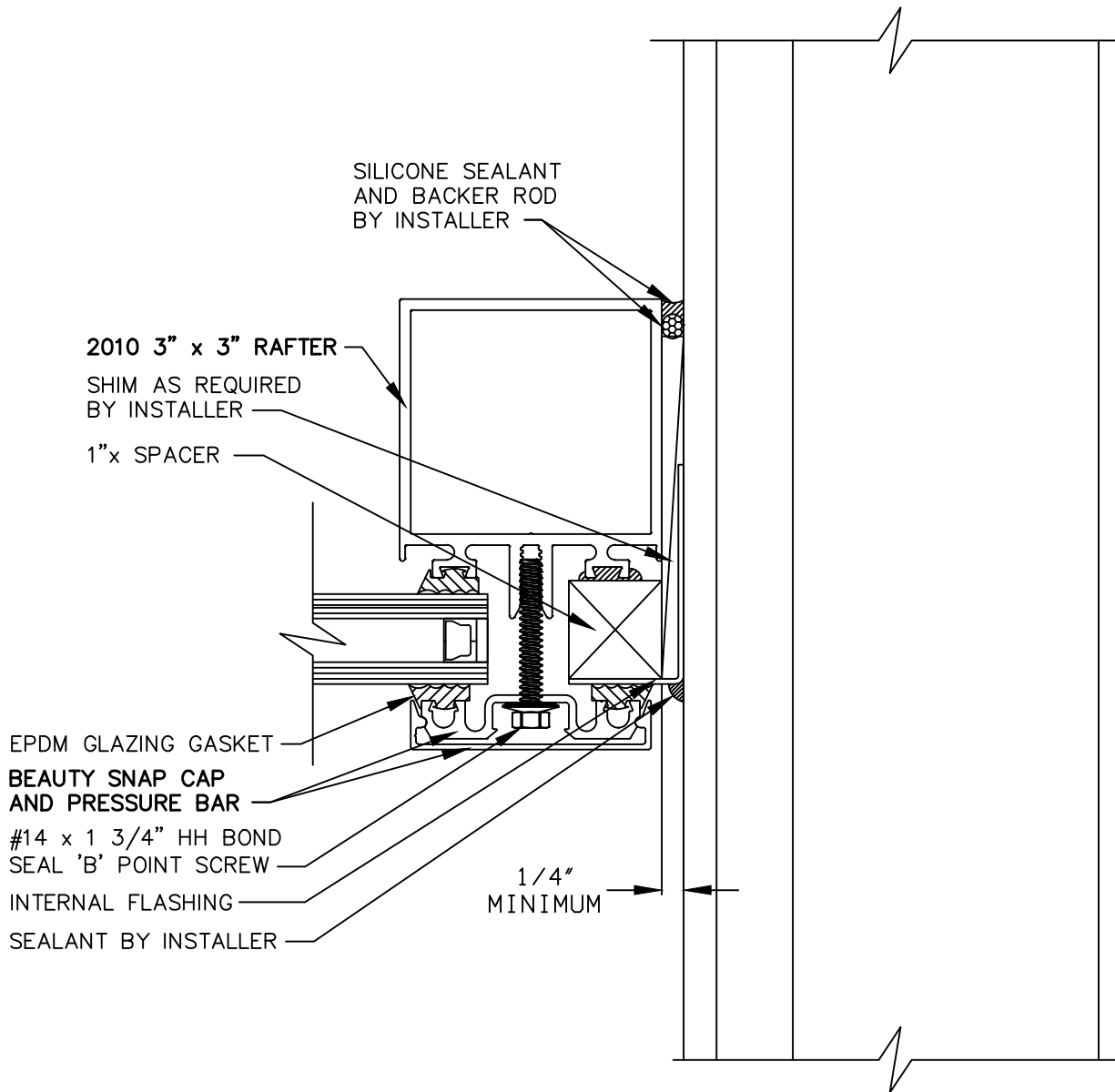


An AiA Industries Company

290 East 56th Avenue  
 Denver, CO 80216  
 (303) 296-9696  
 Fax (303) 296-2146

2010 STRUCTURAL GABLE  
 END SINGLE SLOPE  
 RAFTER AT  
 END WALL

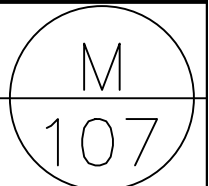


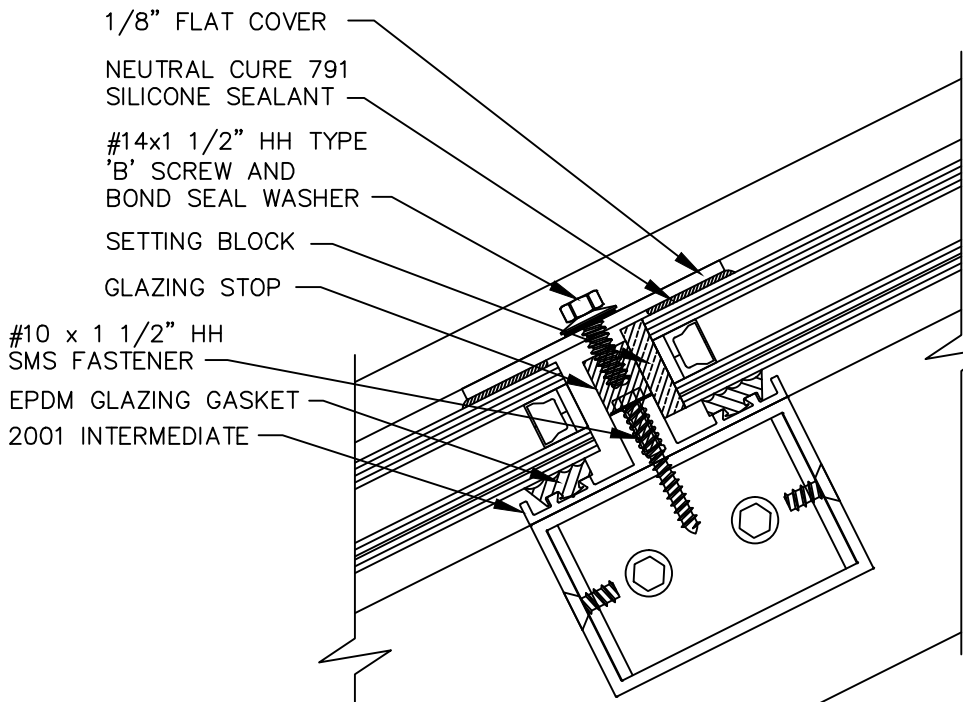


An AiA Industries Company

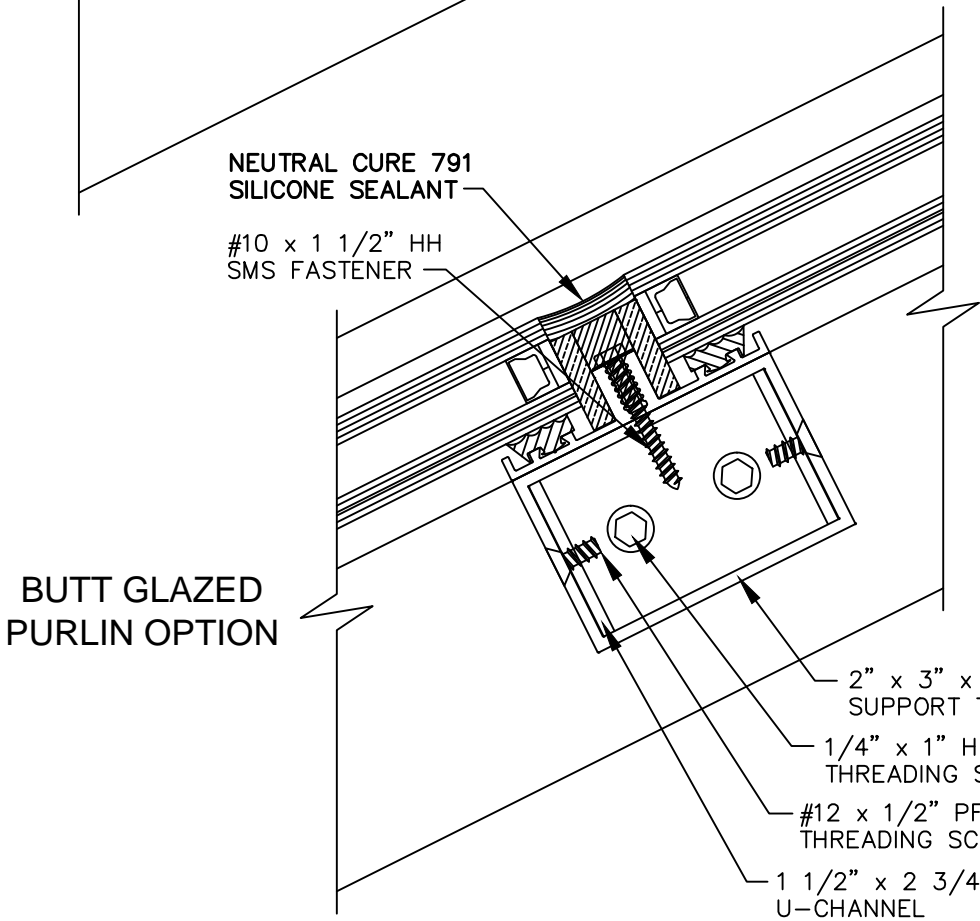
290 East 56th Avenue  
 Denver, CO 80216  
 (303) 296-9696  
 Fax (303) 296-2146

2010 STRUCTURAL GABLE  
 END SINGLE SLOPE  
**JAMB AT END WALL**





STANDARD PURLIN WITH FLAT COVER



BUTT GLAZED PURLIN OPTION

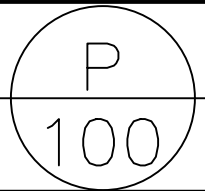


An AiA Industries Company

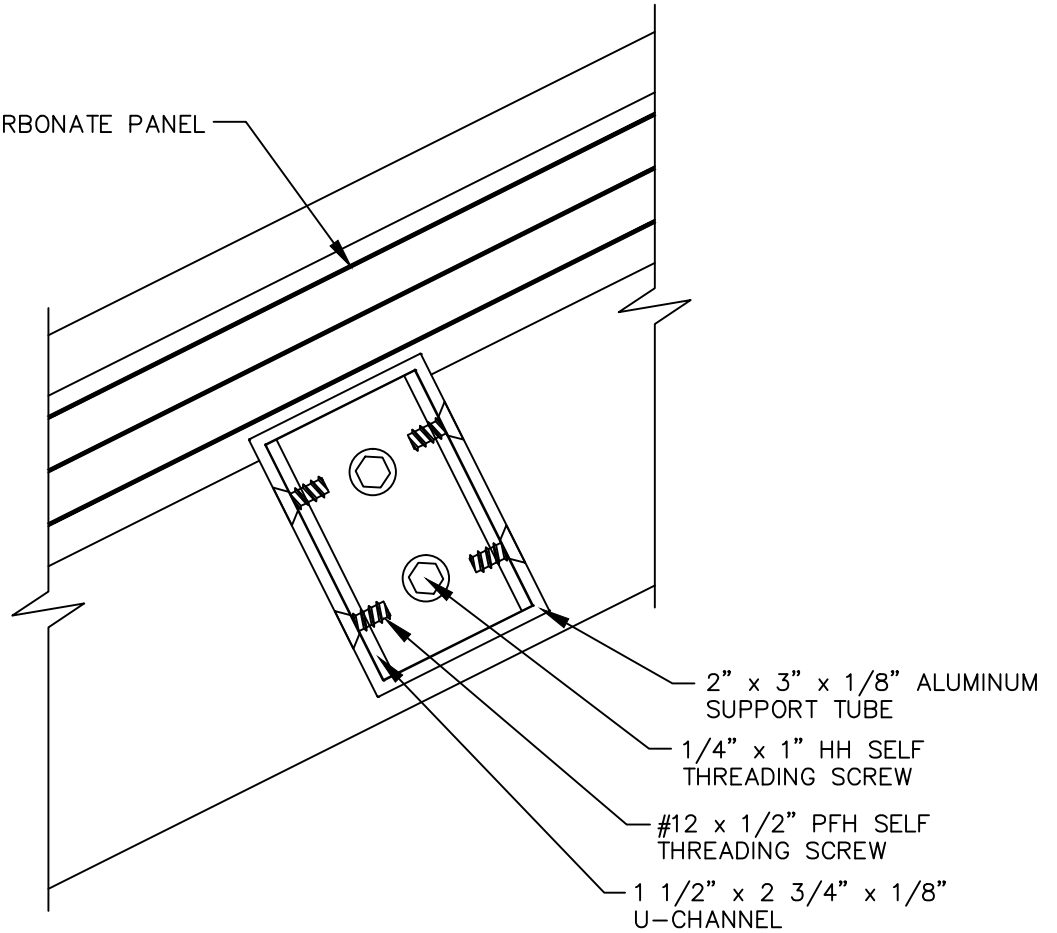
290 East 56th Avenue  
 Denver, CO 80216  
 (303) 296-9696  
 Fax (303) 296-2146

2010 STRUCTURAL GABLE  
 END SINGLE SLOPE

PURLIN



POLYCARBONATE PANEL



FOR MULTIWALL  
POLYCARBONATE PANELS ONLY

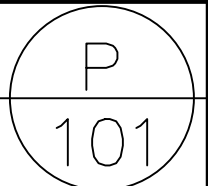


An AiA Industries Company

290 East 56th Avenue  
Denver, CO 80216  
(303) 296-9696  
Fax (303) 296-2146

2010 STRUCTURAL GABLE  
END SINGLE SLOPE

PURLIN





NEUTRAL CURE 791  
SILICONE SEALANT

#8 x 1" PPH SELF  
THREADING SCREW  
AND END CAP

EPDM GLAZING  
GASKET

SETTING BLOCK

2010 CARRIER

1 7/16" x 2 3/4"  
RETAINING ANGLE

#8 x 1/2" HH SELF  
THREADING FASTENER

#8 x 1/2" HH SELF  
THREADING SPACER  
SCREW AND 3/16" Ø WEEP

3/4" RIGID INSULATION

#12 x 1/2" PFH SELF  
THREADING SCREW

3" x 3" x 3/16" STRUCTURAL  
RAFTER SUPPORT ANGLE

2010 STRUCTURAL BASE

SEALANT BY INSTALLER

OUTSIDE CURB  
DIMENSION POINT.

CURB FLASHING BY OTHERS

ANCHOR SCREW BY INSTALLER

CURB BY OTHERS

3" MINIMUM

3" MINIMUM

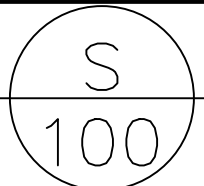


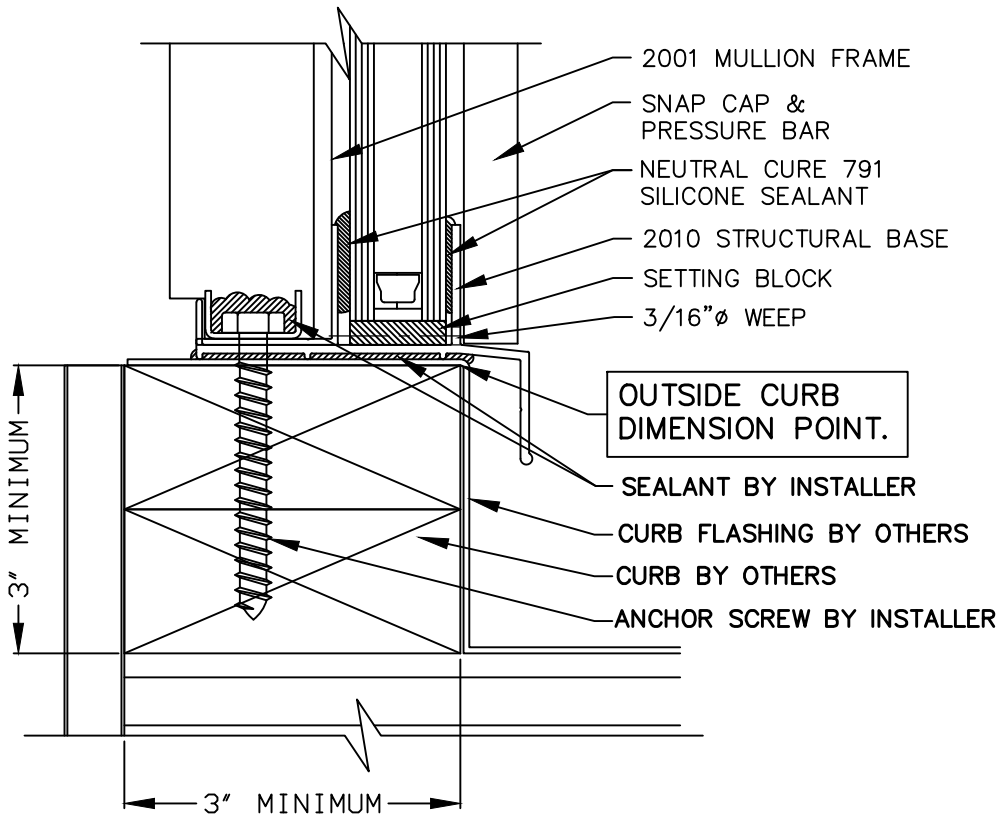
An AiA Industries Company

290 East 56th Avenue  
Denver, CO 80216  
(303) 296-9696  
Fax (303) 296-2146

2010 STRUCTURAL GABLE  
END SINGLE SLOPE

SILL





An AiA Industries Company

290 East 56th Avenue  
 Denver, CO 80216  
 (303) 296-9696  
 Fax (303) 296-2146

2010 STRUCTURAL GABLE  
 END SINGLE SLOPE

**SILL AT GABLE**

