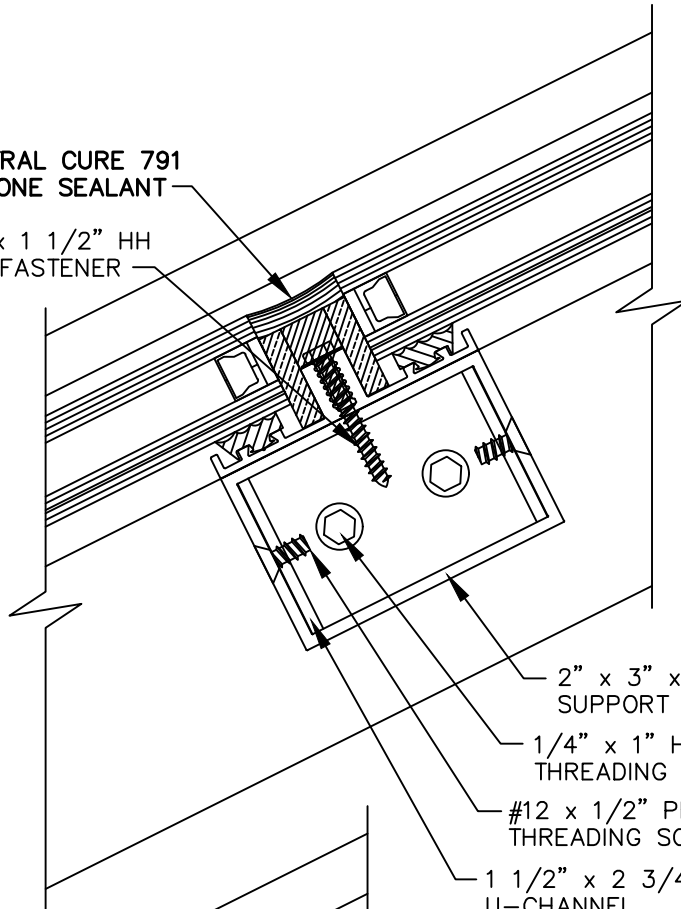


BUTT GLAZED PURLIN

NEUTRAL CURE 791 SILICONE SEALANT

#10 x 1 1/2" HH SMS FASTENER



1/8" FLAT COVER

NEUTRAL CURE 791 SILICONE SEALANT

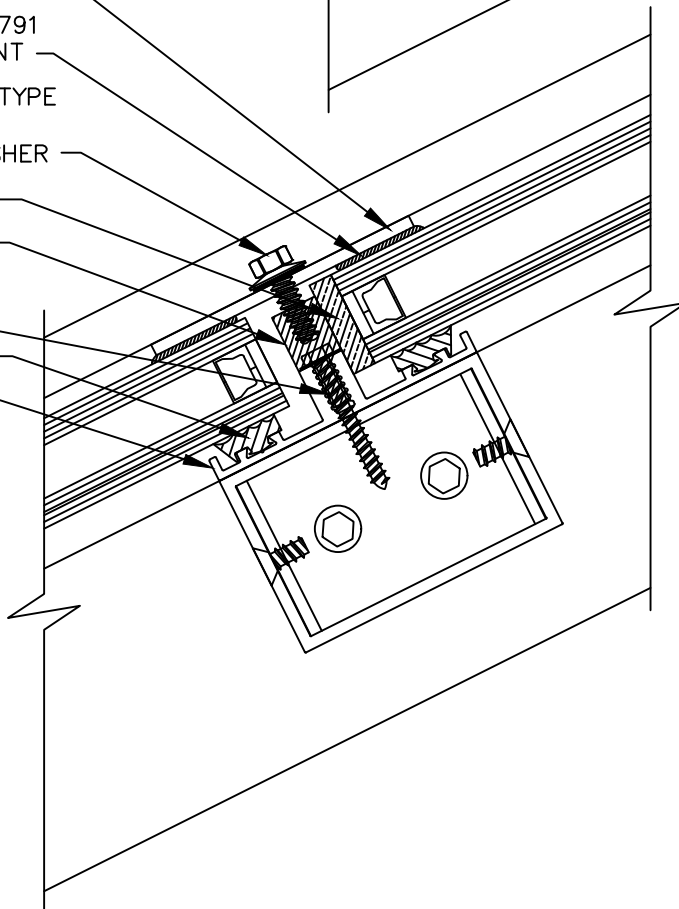
#14x1 1/2" HH TYPE 'B' SCREW AND BOND SEAL WASHER

SETTING BLOCK

GLAZING STOP

#10 x 1 1/2" HH SMS FASTENER

EPDM GLAZING GASKET
2001 INTERMEDIATE



PURLIN WITH FLAT COVER OPTION

2" x 3" x 1/8" ALUMINUM SUPPORT TUBE

1/4" x 1" HH SELF THREADING SCREW

#12 x 1/2" PFH SELF THREADING SCREW

1 1/2" x 2 3/4" x 1/8" U-CHANNEL



An AiA Industries Company

290 East 56th Avenue
Denver, CO 80216
(303) 296-9696
Fax (303) 296-2146

2010 STRUCTURAL
GABLED END RIDGE

PURLIN

