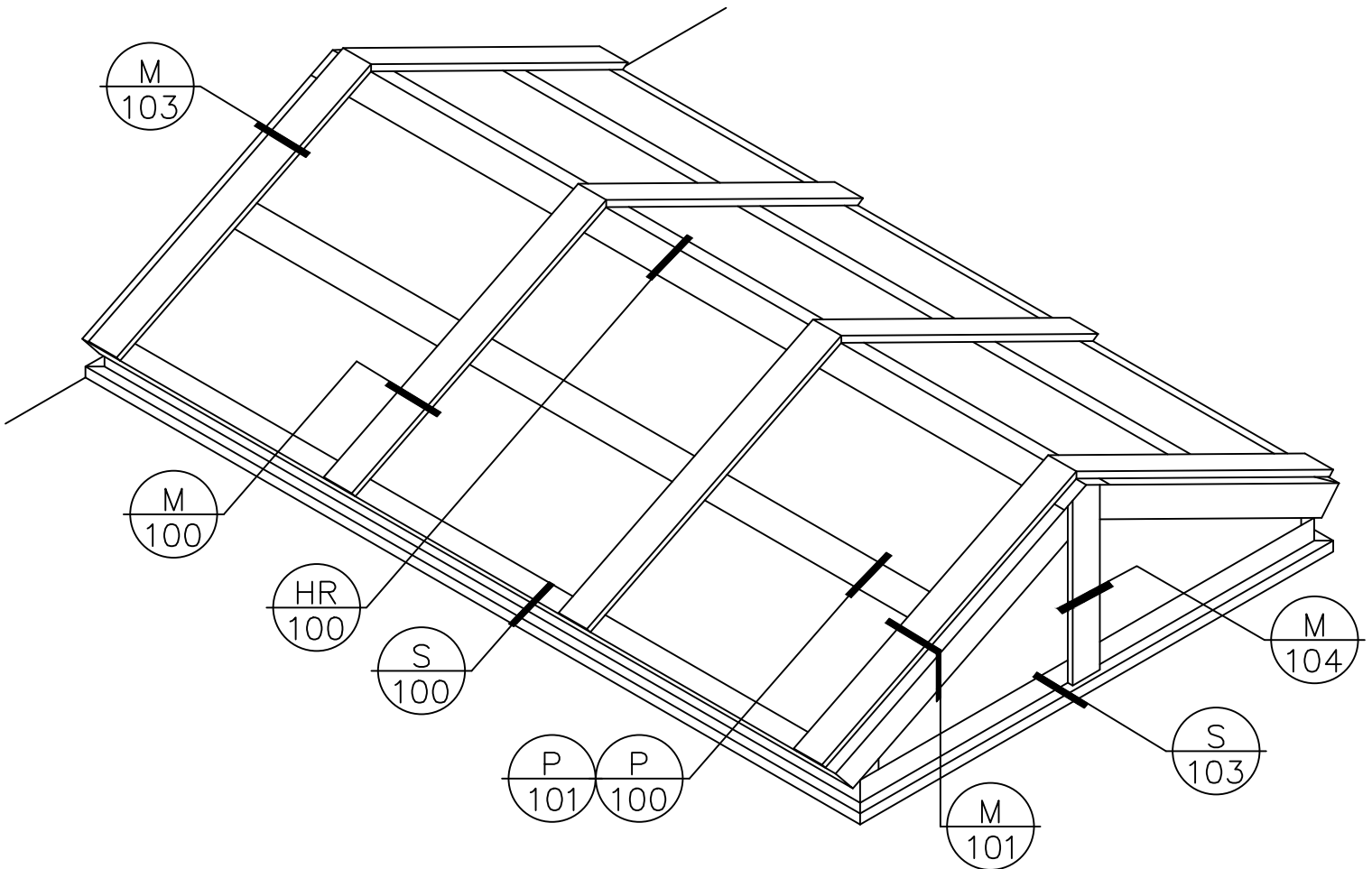


STRUCTURAL RIDGE WITH GABLE END



An AiA Industries Company

290 East 56th Avenue
Denver, CO 80216
(303) 296-9696
Fax (303) 296-2146

2010 STRUCTURAL
RIDGE WITH
GABLED END

PLAN
ISO

NEUTRAL CURE 791
SILICONE SEALANT

#8 x 1" PPH SELF
THREADING SCREW
AND END CAP

EPDM GLAZING
GASKET

SETTING BLOCK

2010 CARRIER

1 7/16" x 2 3/4"
RETAINING ANGLE

#8 x 1/2" HH SELF
DRILLING FASTENER

#8 x 1/2" HH SELF
DRILLING SPACER SCREW
AND 3/16" ϕ WEEP

3/4" RIGID INSULATION

#12 x 1/2" PFH SELF
THREADING SCREW

3" x 3" x 3/16" STRUCTURAL
RAFTER SUPPORT ANGLE

2010 STRUCTURAL BASE

SEALANT BY INSTALLER

OUTSIDE CURB
DIMENSION POINT.

CURB FLASHING BY OTHERS

ANCHOR SCREW BY INSTALLER

CURB BY OTHERS

3" MINIMUM

3" MINIMUM

DALYTE

An AiA Industries Company

290 East 56th Avenue
Denver, CO 80216
(303) 296-9696
Fax (303) 296-2146

2010 STRUCTURAL
GABLED END RIDGE

SILL

S
100

**BUTT GLAZED
PURLIN**

NEUTRAL CURE 791
SILICONE SEALANT

#10 x 1 1/2" HH
SMS FASTENER

2" x 3" x 1/8" ALUMINUM
SUPPORT TUBE

1/4" x 1" HH SELF
THREADING SCREW

#12 x 1/2" PFH SELF
THREADING SCREW

1 1/2" x 2 3/4" x 1/8"
U-CHANNEL

1/8" FLAT COVER

NEUTRAL CURE 791
SILICONE SEALANT

#14x1 1/2" HH TYPE
'B' SCREW AND
BOND SEAL WASHER

SETTING BLOCK

GLAZING STOP

#10 x 1 1/2" HH
SMS FASTENER

EPDM GLAZING GASKET
2001 INTERMEDIATE

**PURLIN WITH FLAT
COVER OPTION**

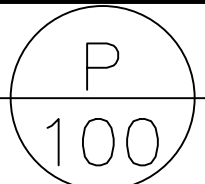


An AiA Industries Company

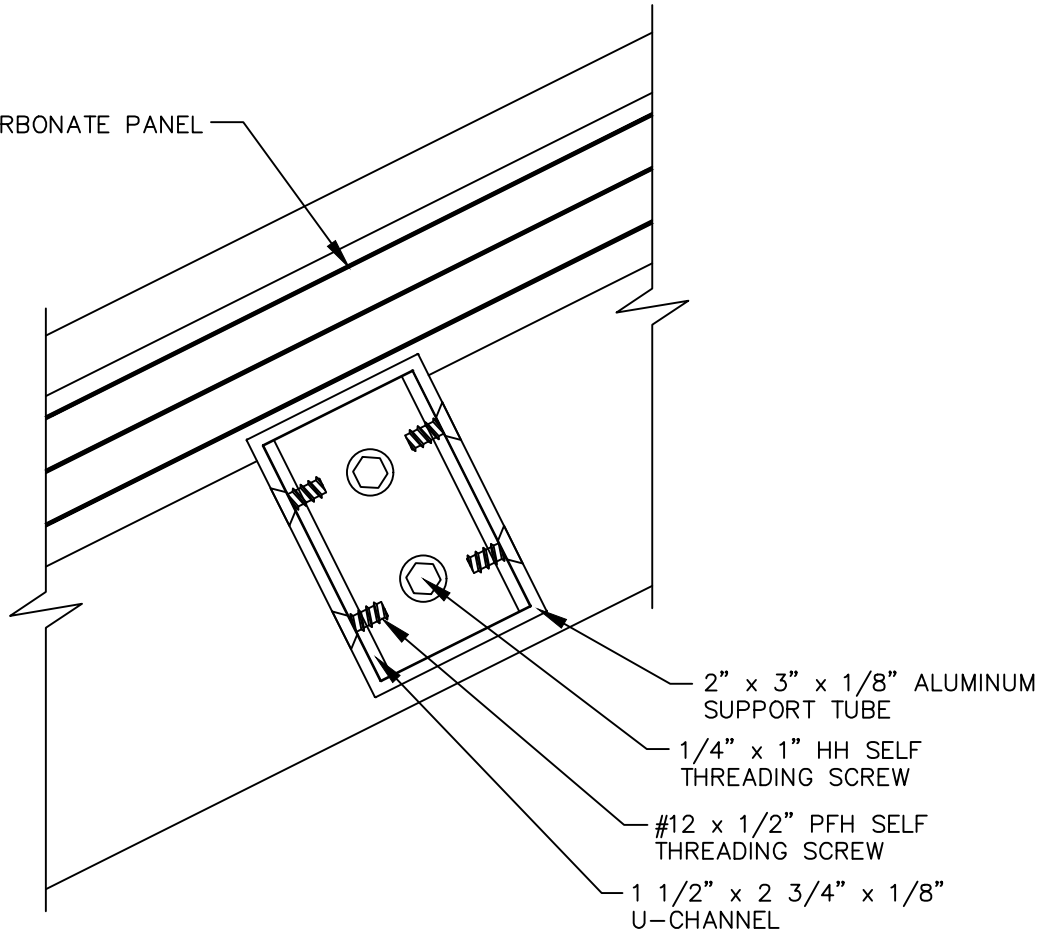
290 East 56th Avenue
Denver, CO 80216
(303) 296-9696
Fax (303) 296-2146

2010 STRUCTURAL
GABLED END RIDGE

PURLIN



POLYCARBONATE PANEL



FOR MULTIWALL
POLYCARBONATE PANELS ONLY

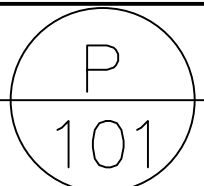


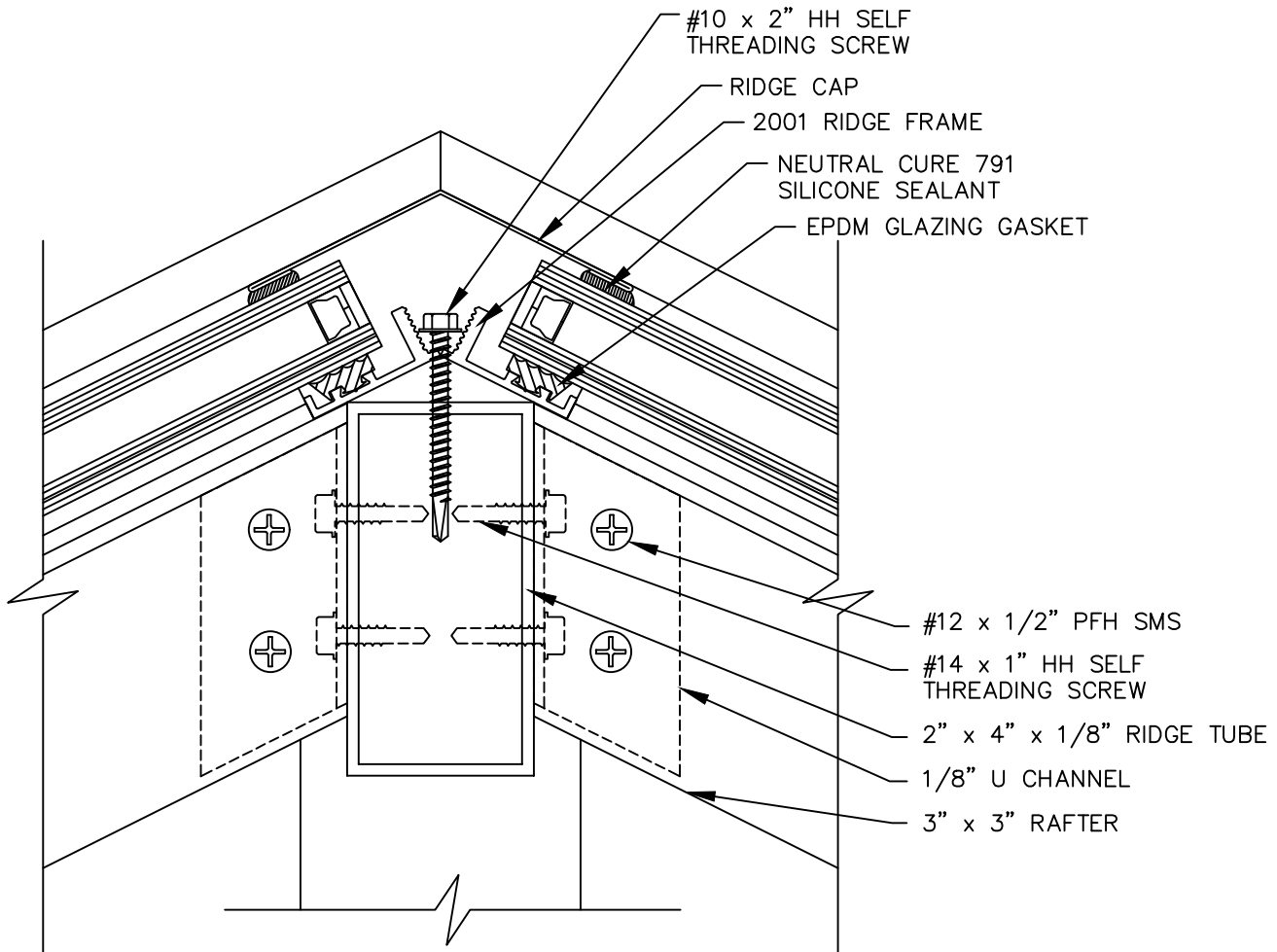
An AiA Industries Company

290 East 56th Avenue
Denver, CO 80216
(303) 296-9696
Fax (303) 296-2146

2010 STRUCTURAL
GABLED END RIDGE

PURLIN



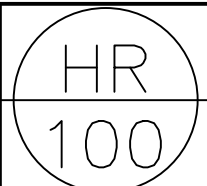


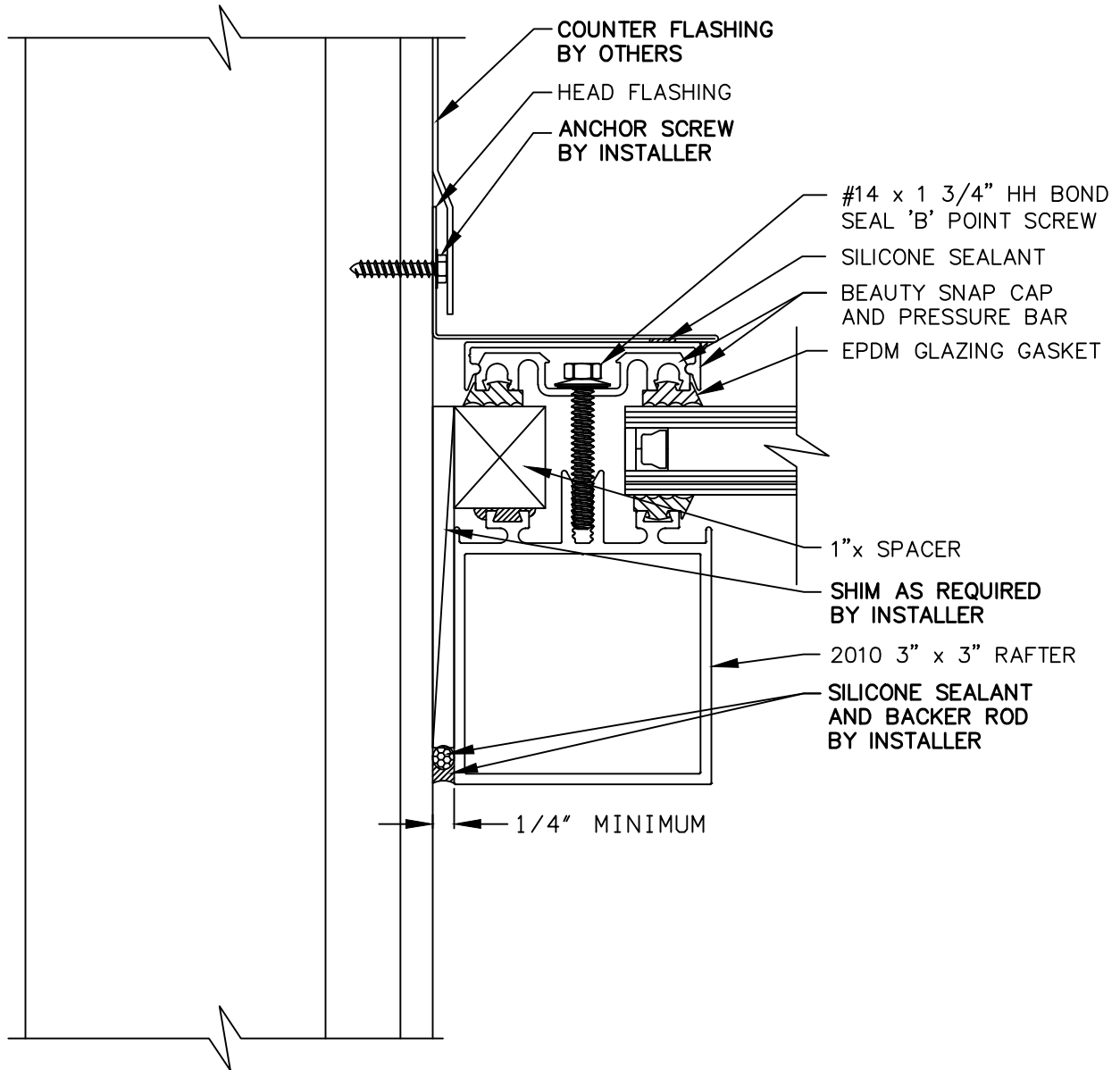
An AiA Industries Company

290 East 56th Avenue
 Denver, CO 80216
 (303) 296-9696
 Fax (303) 296-2146

2010 STRUCTURAL
 GABLED END RIDGE

RIDGE

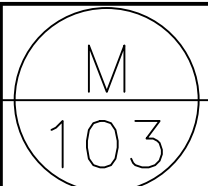


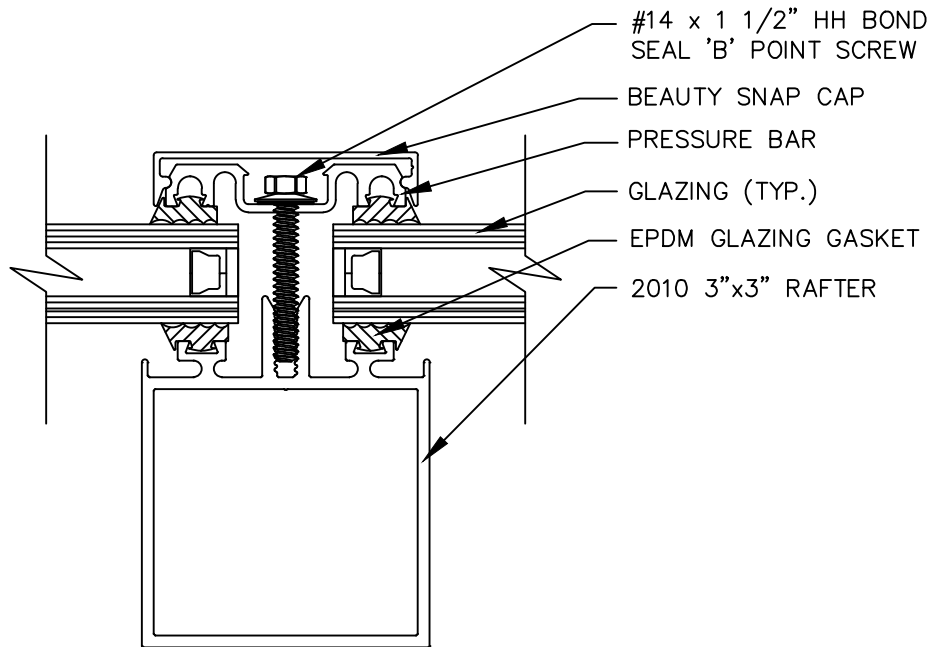


An AiA Industries Company

290 East 56th Avenue
 Denver, CO 80216
 (303) 296-9696
 Fax (303) 296-2146

2010 STRUCTURAL
 GABLED END RIDGE
 RAFTER AT
 END WALL



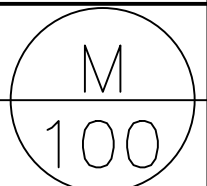


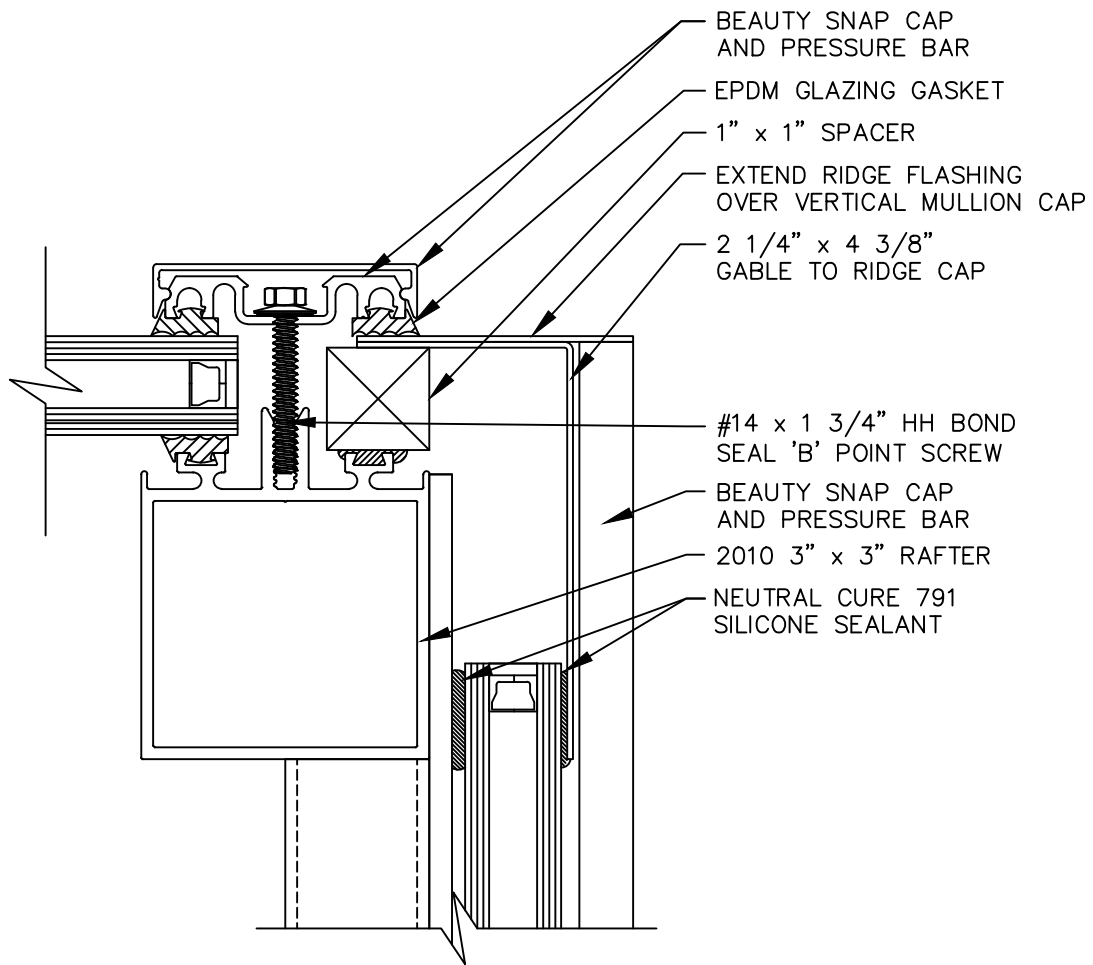
An AiA Industries Company

290 East 56th Avenue
 Denver, CO 80216
 (303) 296-9696
 Fax (303) 296-2146

2010 STRUCTURAL
 GABLED END RIDGE

RAFTER

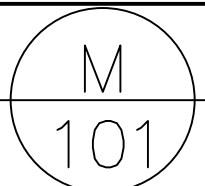


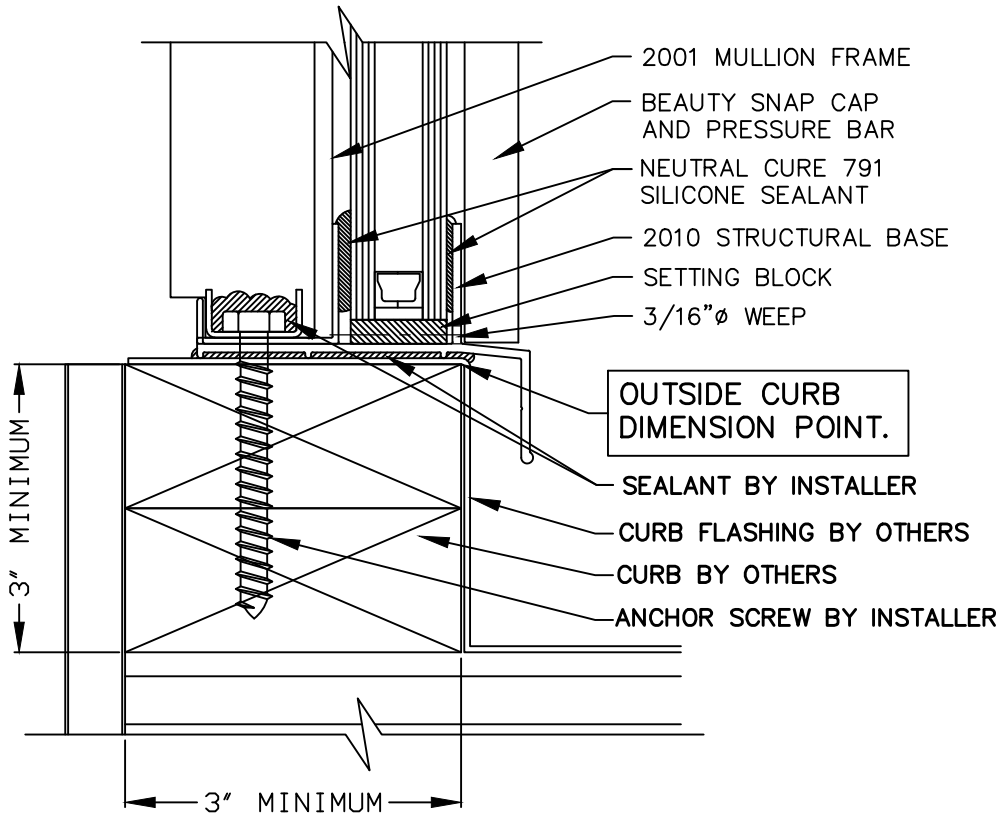


An AiA Industries Company

290 East 56th Avenue
 Denver, CO 80216
 (303) 296-9696
 Fax (303) 296-2146

2010 STRUCTURAL
 GABLED END RIDGE
 RAFTER TO GABLE





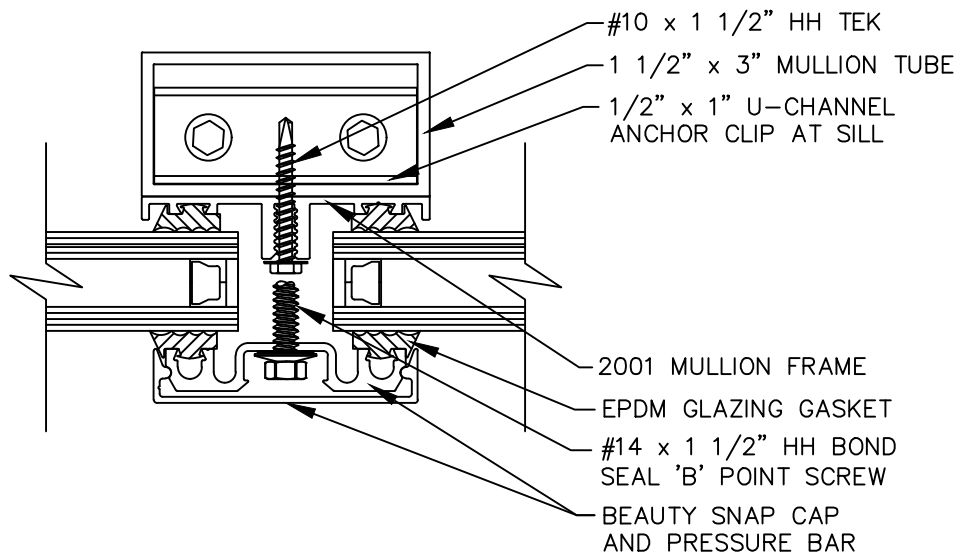
DALYTE

An AiA Industries Company

290 East 56th Avenue
 Denver, CO 80216
 (303) 296-9696
 Fax (303) 296-2146

2010 STRUCTURAL
 GABLED END RIDGE
SILL AT GABLE

S
 103



An AiA Industries Company

290 East 56th Avenue
 Denver, CO 80216
 (303) 296-9696
 Fax (303) 296-2146

2010 STRUCTURAL
 GABLED END RIDGE

MULLION

