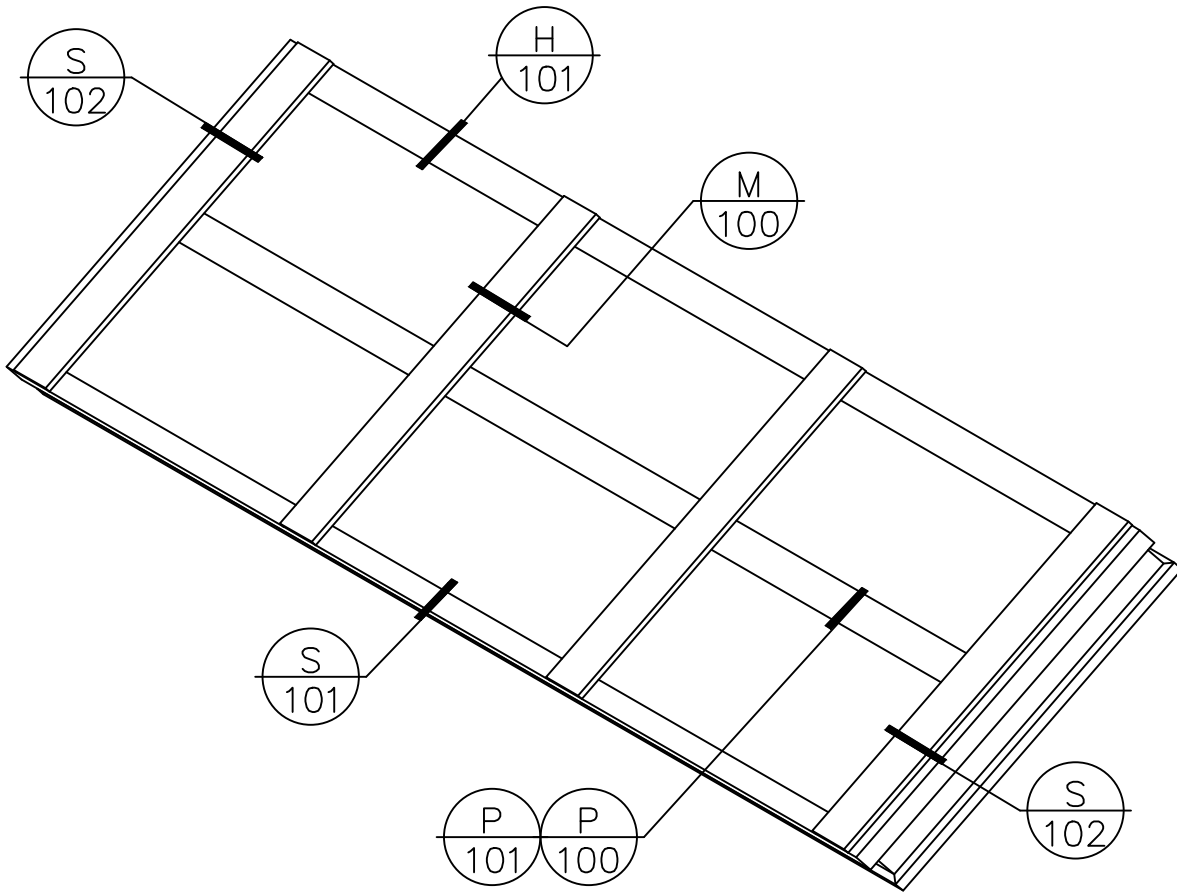


STRUCTURAL SINGLE SLOPE

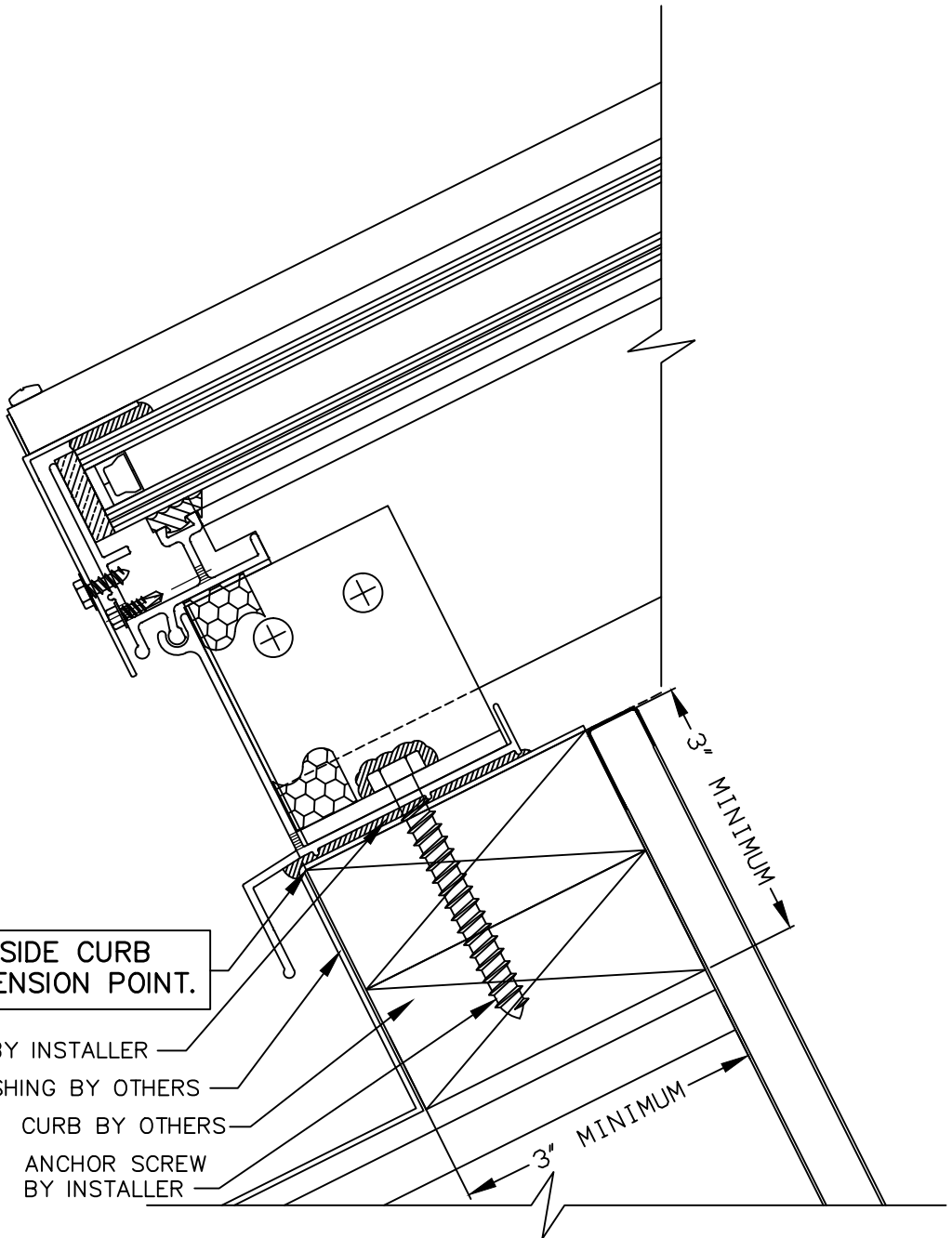


An AiA Industries Company

290 East 56th Avenue
Denver, CO 80216
(303) 296-9696
dalyte.co

INFINITE SKY
STRUCTURAL SKYLIGHT
SINGLE SLOPE

**PLAN
ISO**



OUTSIDE CURB
DIMENSION POINT.

- SEALANT BY INSTALLER
- CURB FLASHING BY OTHERS
- CURB BY OTHERS
- ANCHOR SCREW BY INSTALLER

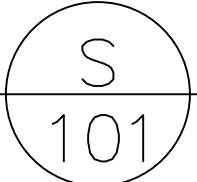


An AiA Industries Company

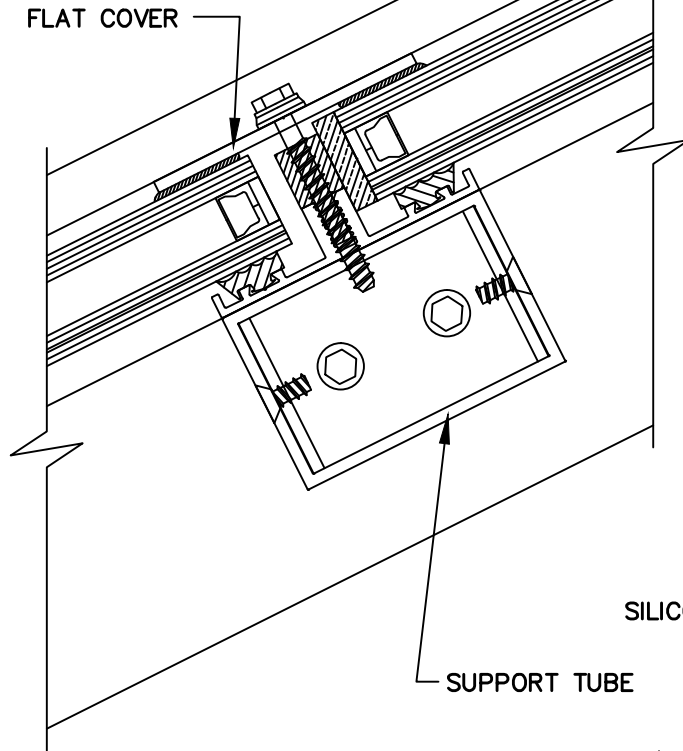
290 East 56th Avenue
 Denver, CO 80216
 (303) 296-9696
 dalyte.co

INFINITE SKY
 STRUCTURAL SINGLE SLOPE

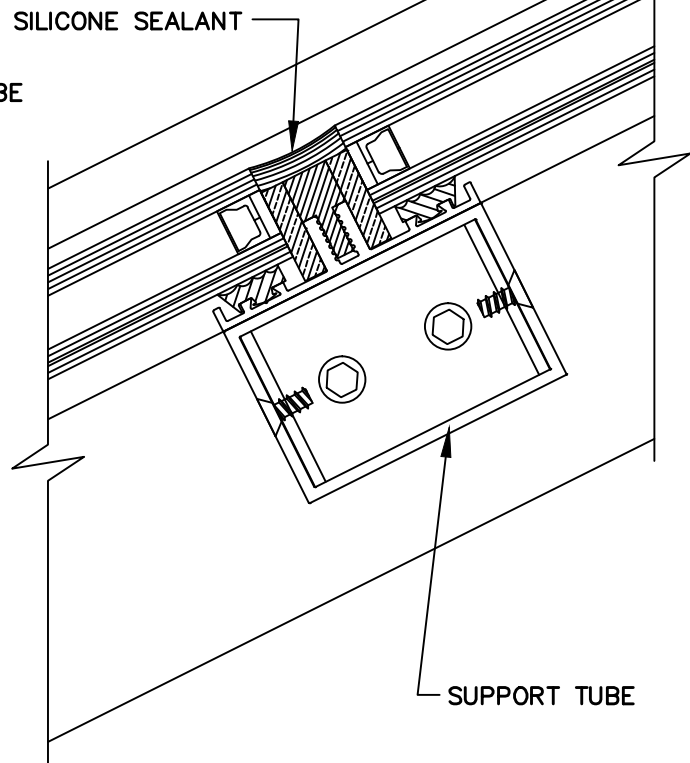
SILL



STANDARD PURLIN
WITH FLAT COVER



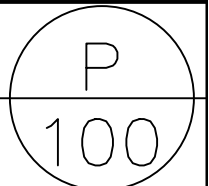
BUTT GLAZED
PURLIN OPTION



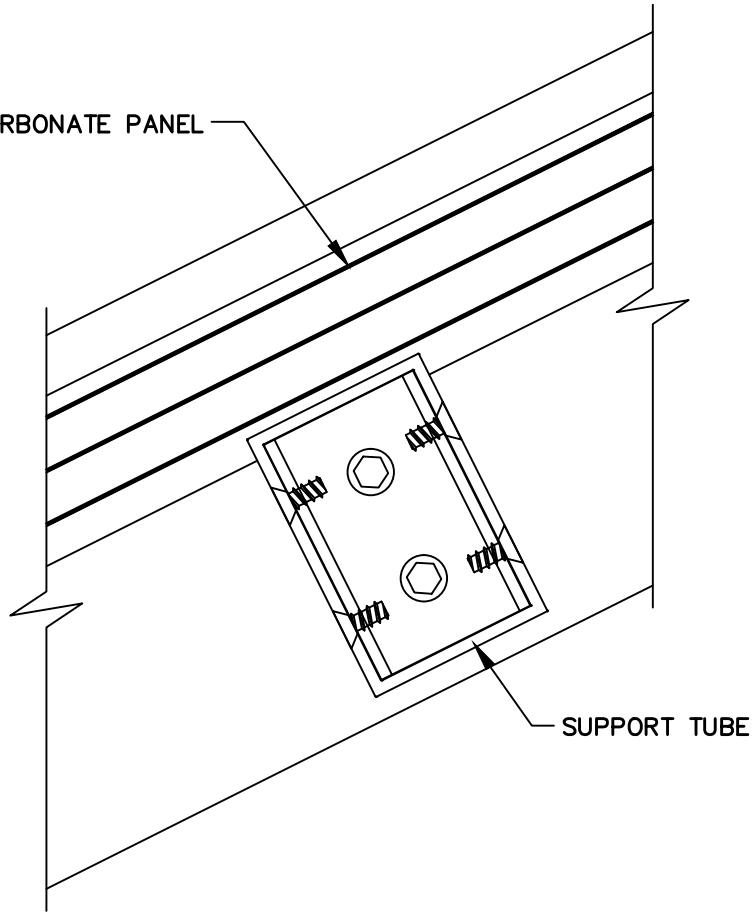
An AiA Industries Company

290 East 56th Avenue
Denver, CO 80216
(303) 296-9696
dalyte.co

INFINITE SKY
STRUCTURAL SINGLE SLOPE
PURLIN



POLYCARBONATE PANEL



SUPPORT TUBE

FOR MULTIWALL
POLYCARBONATE PANELS ONLY

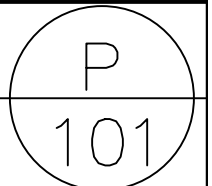
DALYTE

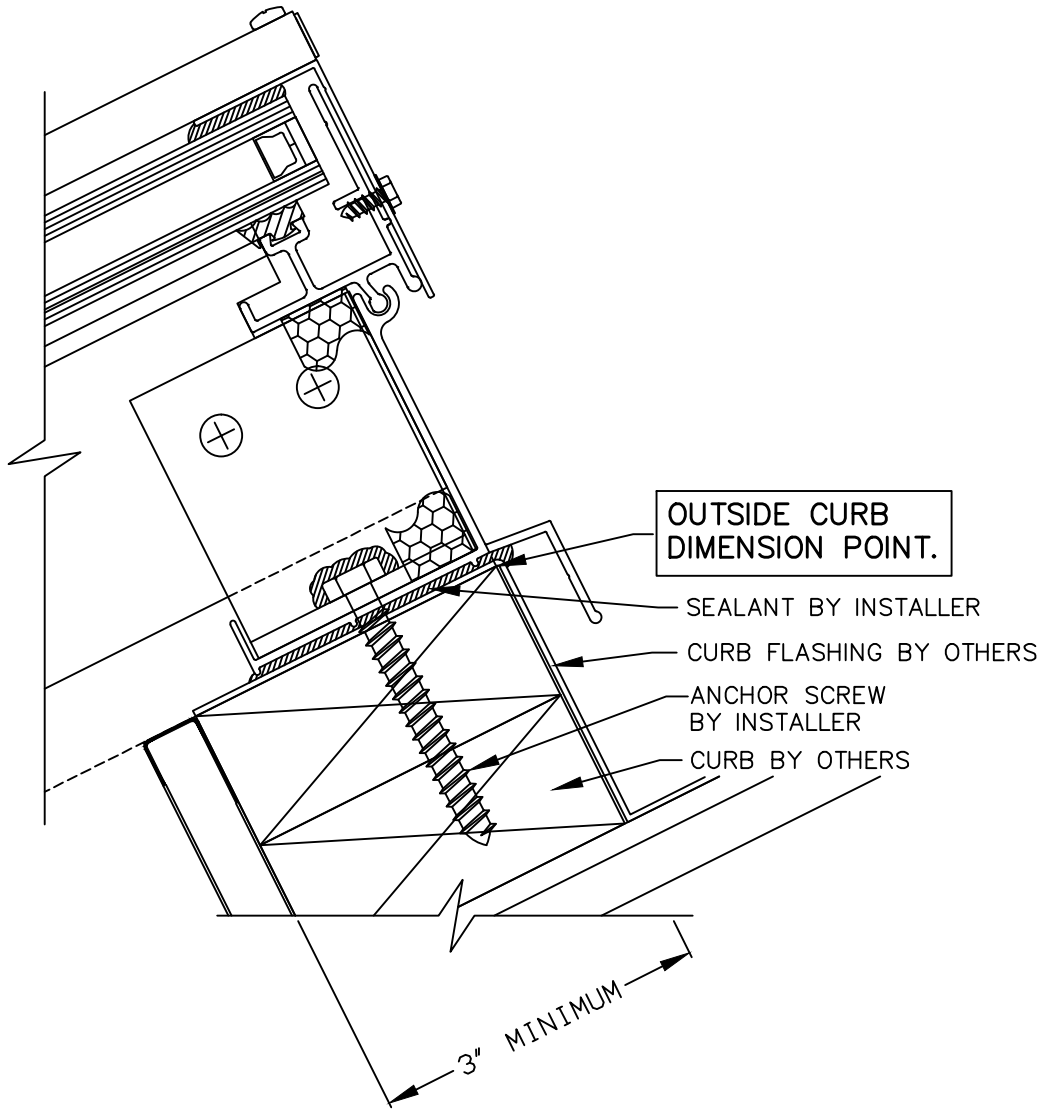
An AiA Industries Company

290 East 56th Avenue
Denver, CO 80216
(303) 296-9696
dalyte.co

INFINITE SKY
STRUCTURAL SINGLE SLOPE

PURLIN



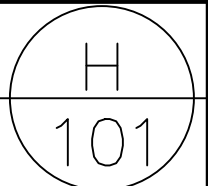


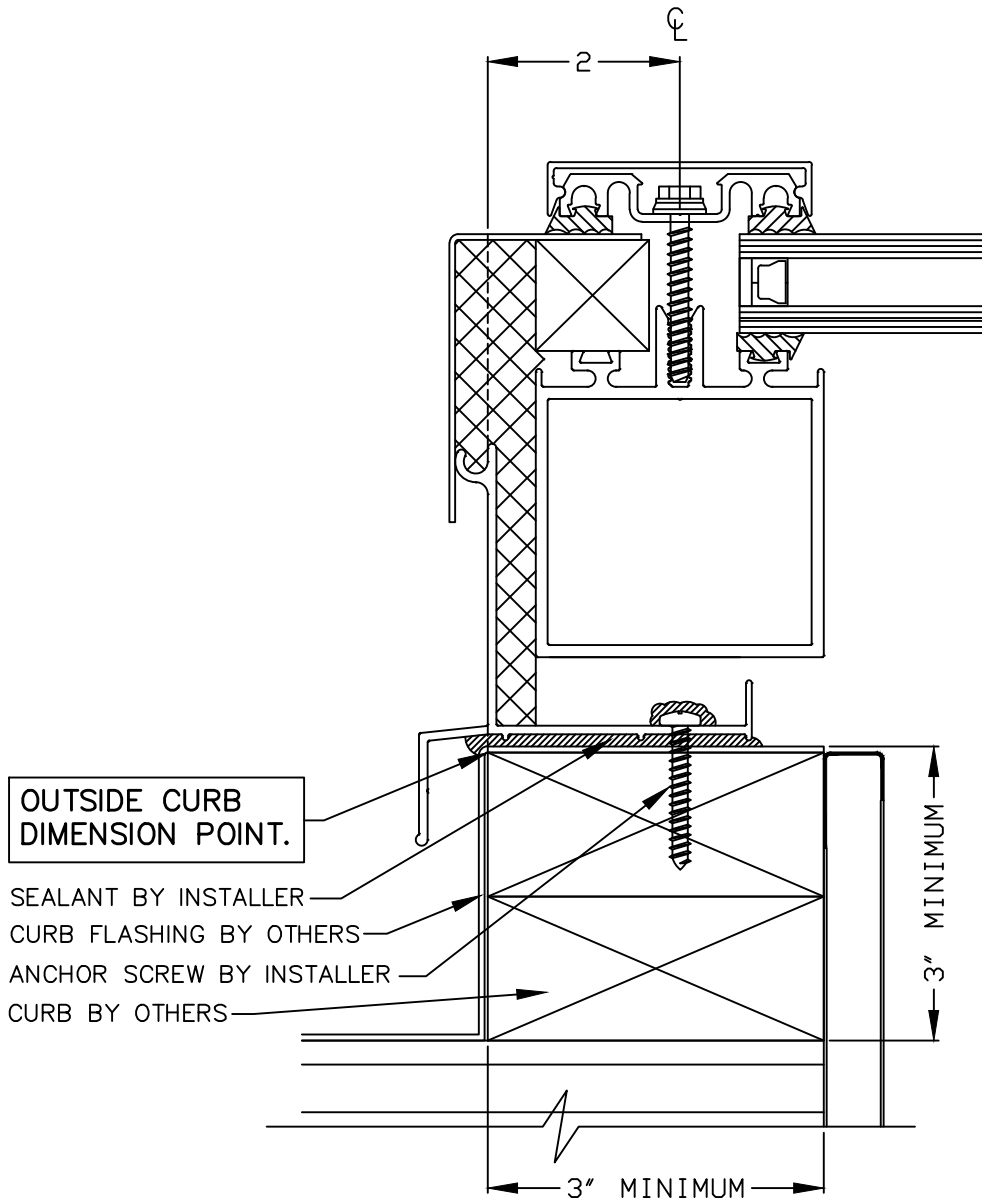
An AiA Industries Company

290 East 56th Avenue
 Denver, CO 80216
 (303) 296-9696
 dalyte.co

INFINITE SKY
 STRUCTURAL SINGLE SLOPE

HEAD

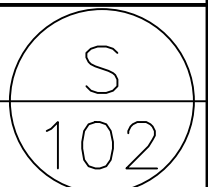


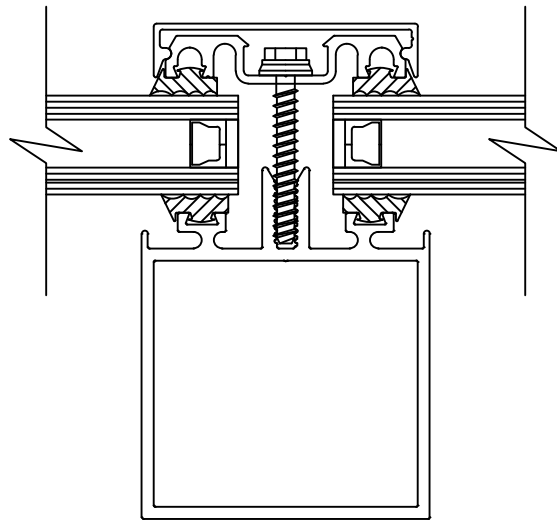


An AiA Industries Company

290 East 56th Avenue
 Denver, CO 80216
 (303) 296-9696
 dalyte.co

INFINITE SKY
 STRUCTURAL SINGLE SLOPE
END RAFTER





An AiA Industries Company

290 East 56th Avenue
Denver, CO 80216
(303) 296-9696
dalyte.co

INFINITE SKY
STRUCTURAL SINGLE SLOPE

RAFTER

