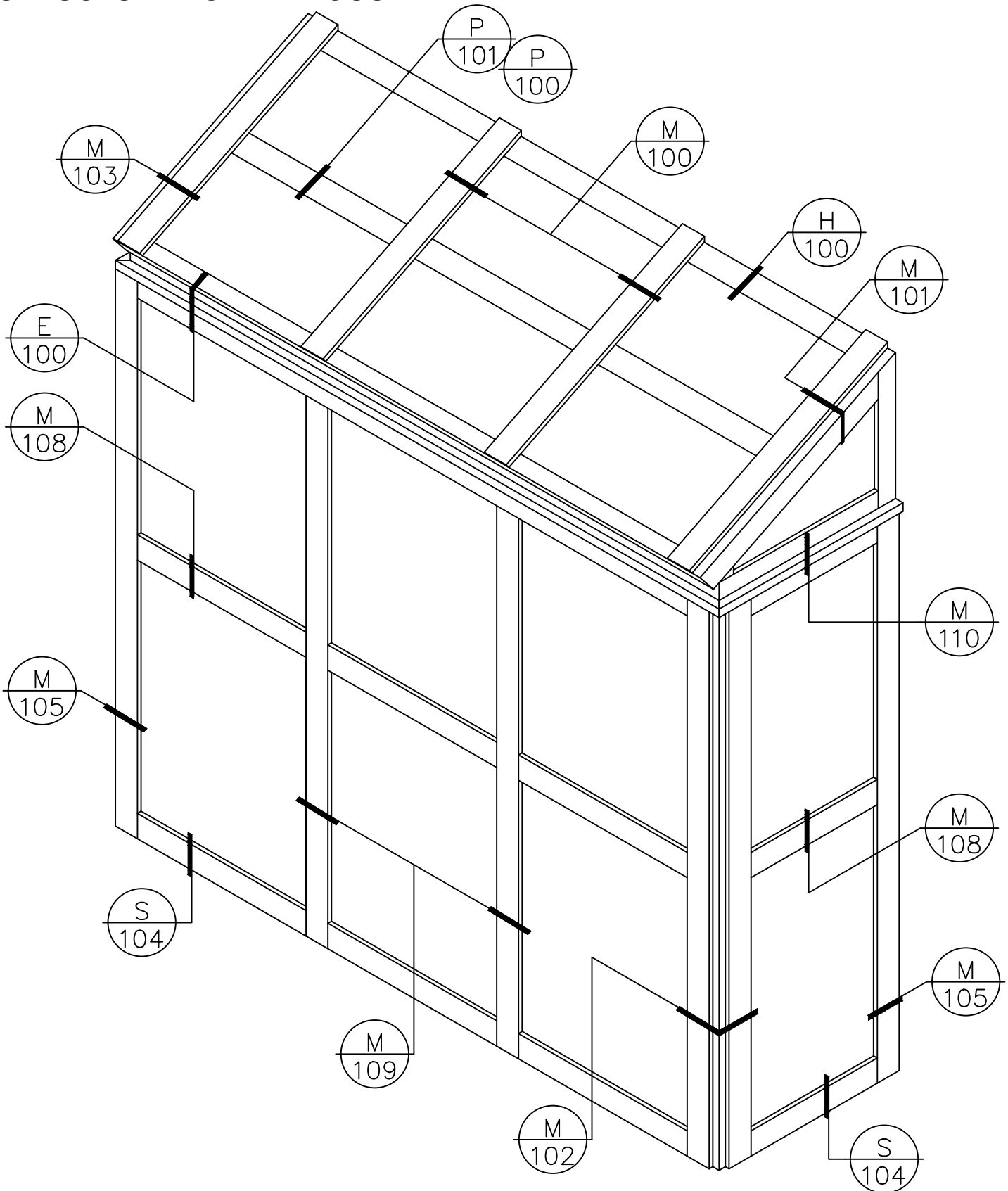


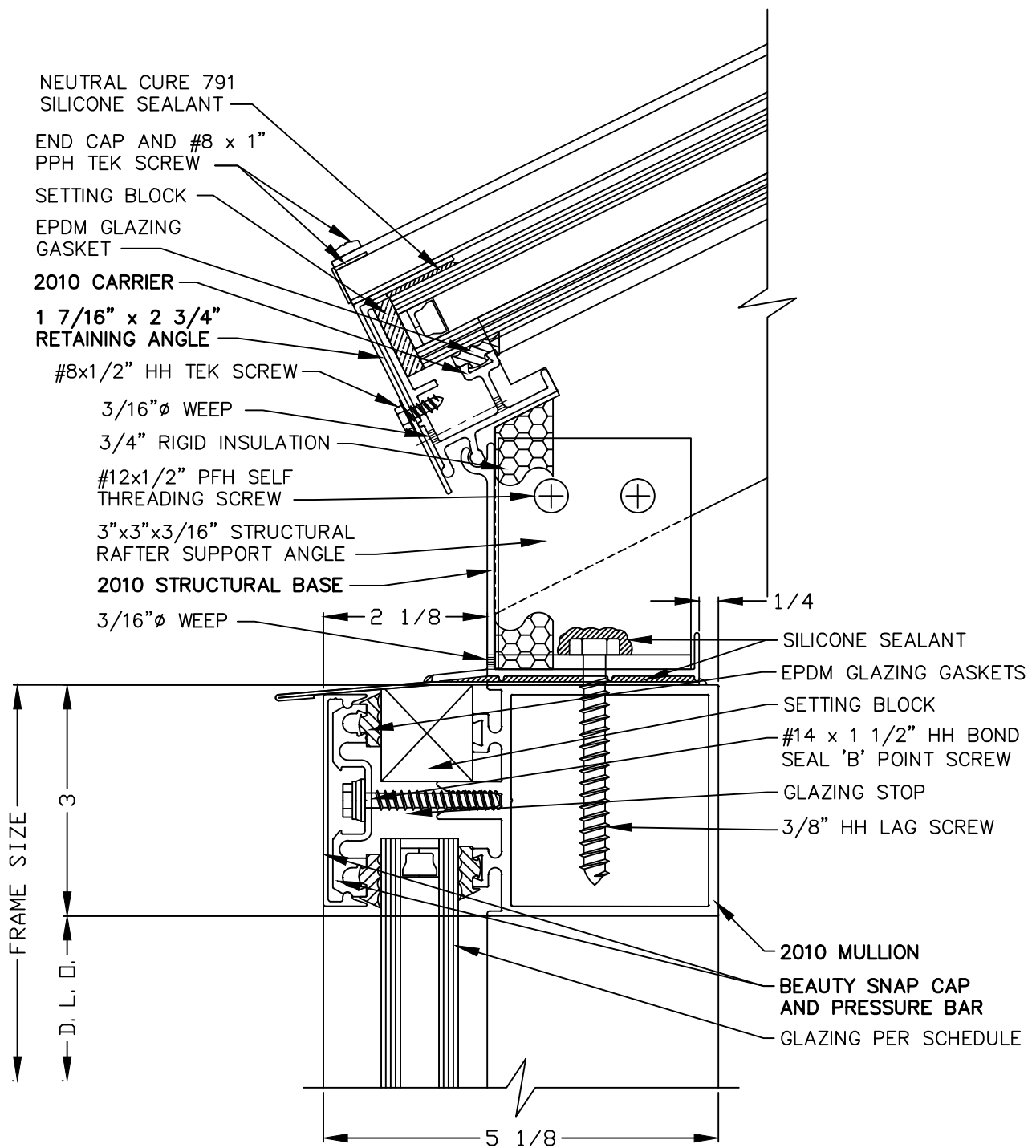
# STRUCTURAL GREENHOUSE



290 East 56th Avenue  
Denver, CO 80216  
(303) 296-9696  
dalyte.co

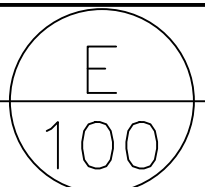
INFINITE SKY  
STRUCTURAL SKYLIGHT  
**GREENHOUSE**

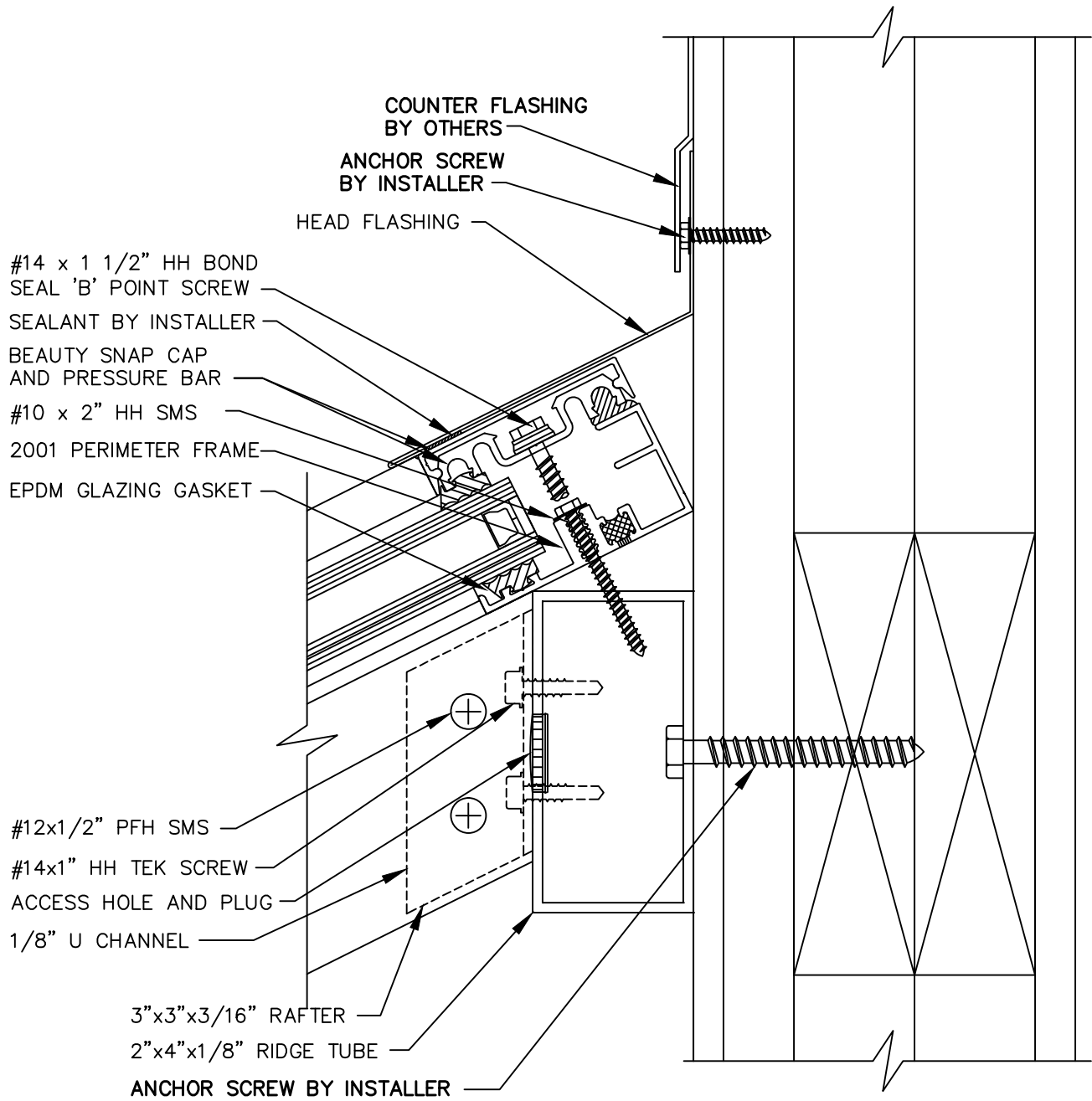
**PLAN  
ISO**

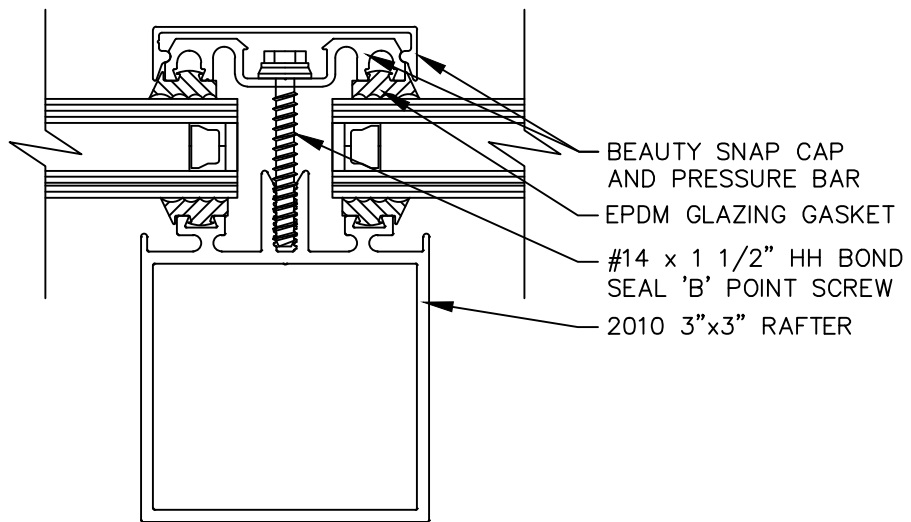


290 East 56th Avenue  
 Denver, CO 80216  
 (303) 296-9696  
 dalyte.co

INFINITE SKY  
 STRUCTURAL GREENHOUSE  
**EAVE**



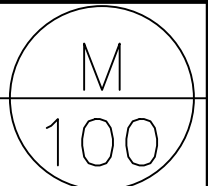


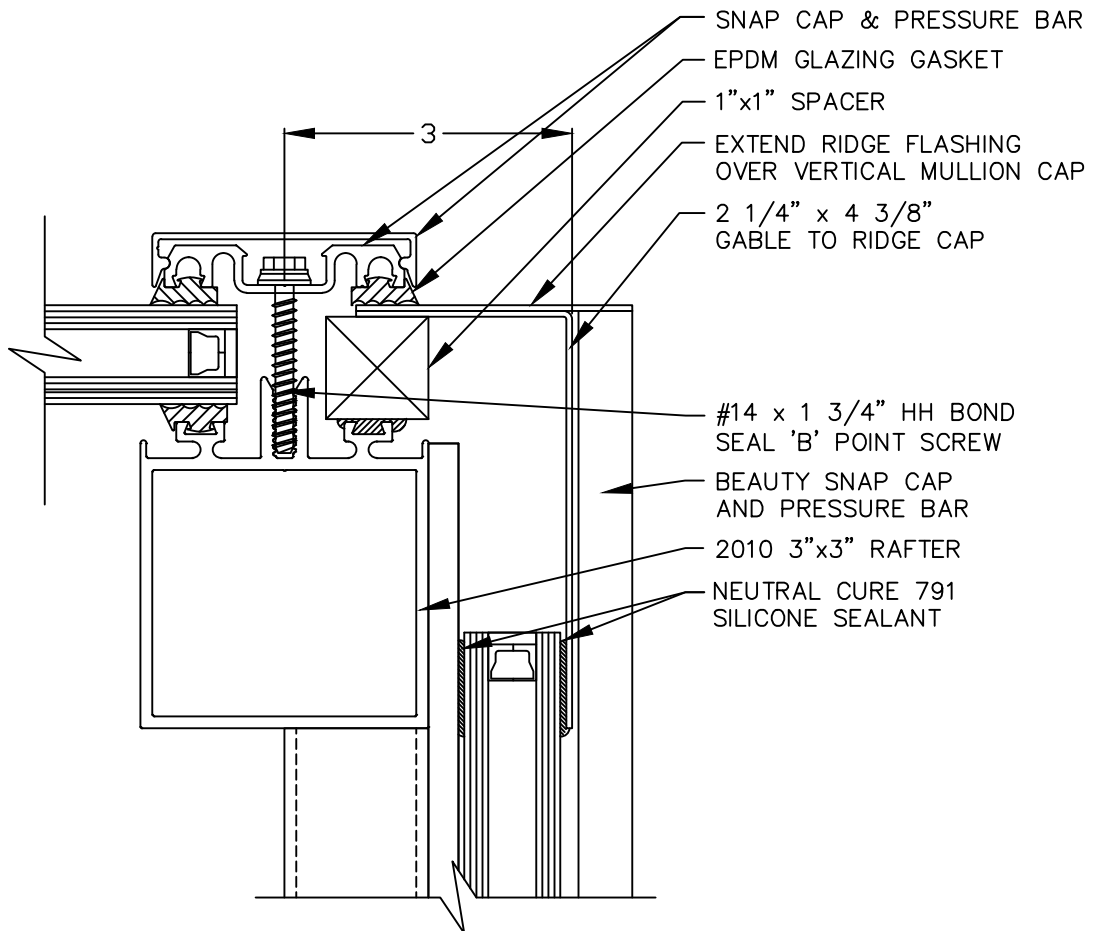


An AiA Industries Company

290 East 56th Avenue  
 Denver, CO 80216  
 (303) 296-9696  
 dalyte.co

INFINITE SKY  
 STRUCTURAL GREENHOUSE  
**RAFTER**



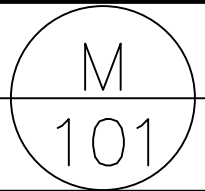


- SNAP CAP & PRESSURE BAR
- EPDM GLAZING GASKET
- 1"x1" SPACER
- EXTEND RIDGE FLASHING OVER VERTICAL MULLION CAP
- 2 1/4" x 4 3/8" GABLE TO RIDGE CAP
- #14 x 1 3/4" HH BOND SEAL 'B' POINT SCREW
- BEAUTY SNAP CAP AND PRESSURE BAR
- 2010 3"x3" RAFTER
- NEUTRAL CURE 791 SILICONE SEALANT



290 East 56th Avenue  
 Denver, CO 80216  
 (303) 296-9696  
 dalyte.co

INFINITE SKY  
 STRUCTURAL GREENHOUSE  
 GABLE END RAFTER



EPDM GLAZING GASKET

3"X3" MULLION

#14 x 1 3/4" HH BOND  
SEAL 'B' POINT SCREW

#10 x 1 1/2" SS PPH SMS

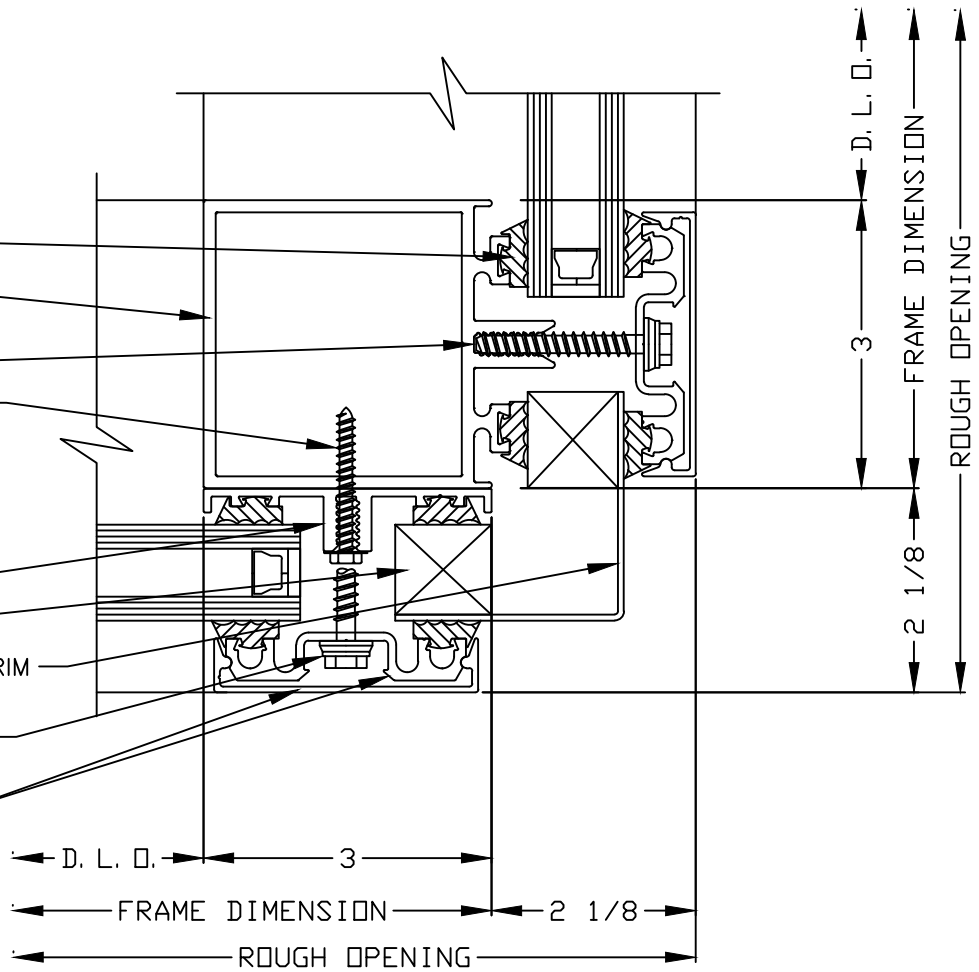
2001 PERIMETER

1" SPACER

CORNER BRAKE METAL TRIM

#14 x 1 3/4" HH BOND  
SEAL 'B' POINT SCREW

BEAUTY SNAP CAP  
AND PRESSURE BAR

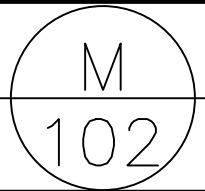


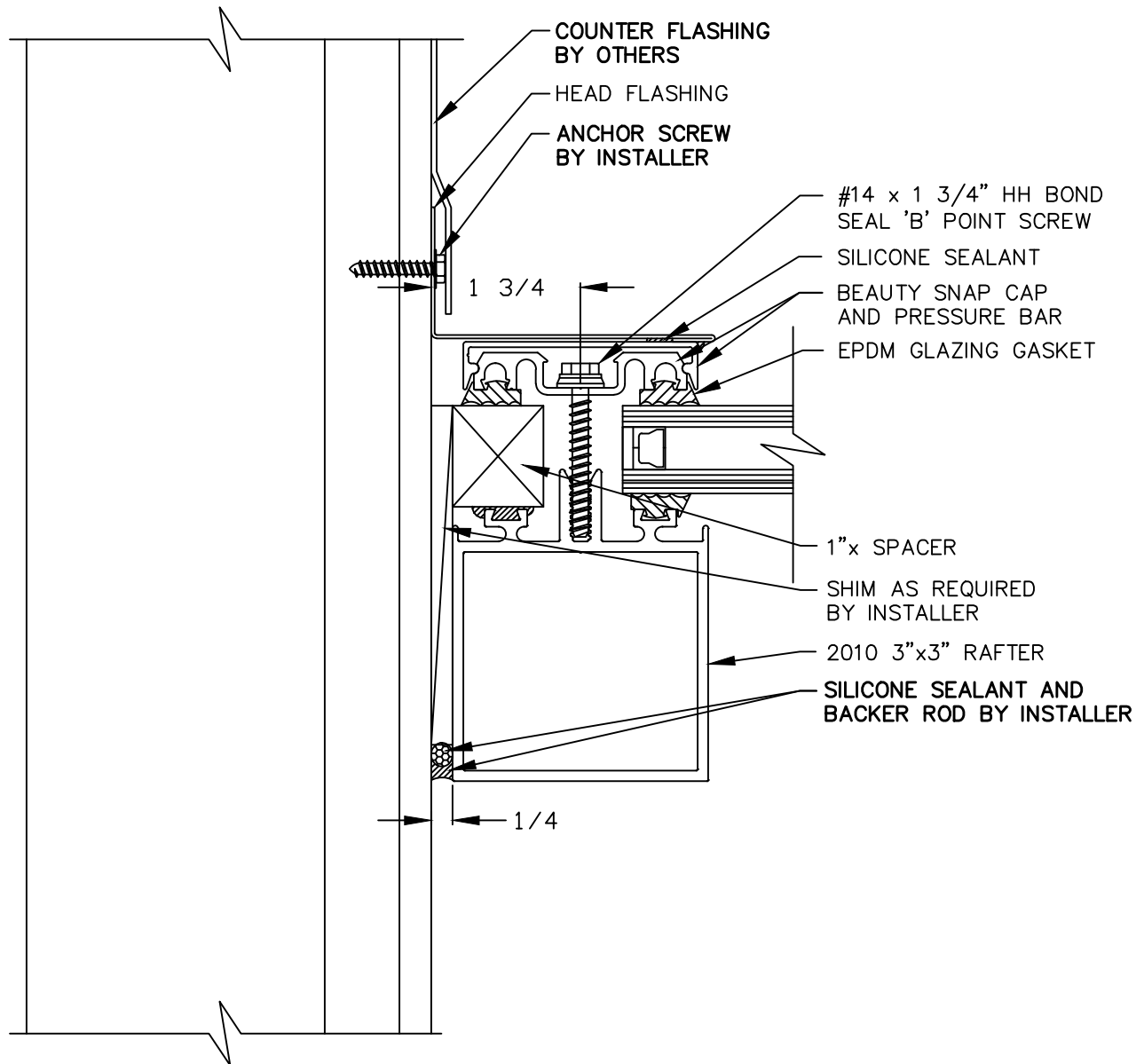
**13** CORNER MULLION



290 East 56th Avenue  
 Denver, CO 80216  
 (303) 296-9696  
 dalyte.co

INFINITE SKY  
 STRUCTURAL GREENHOUSE  
 CORNER MULLION



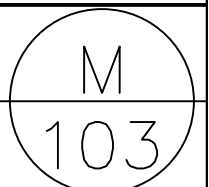


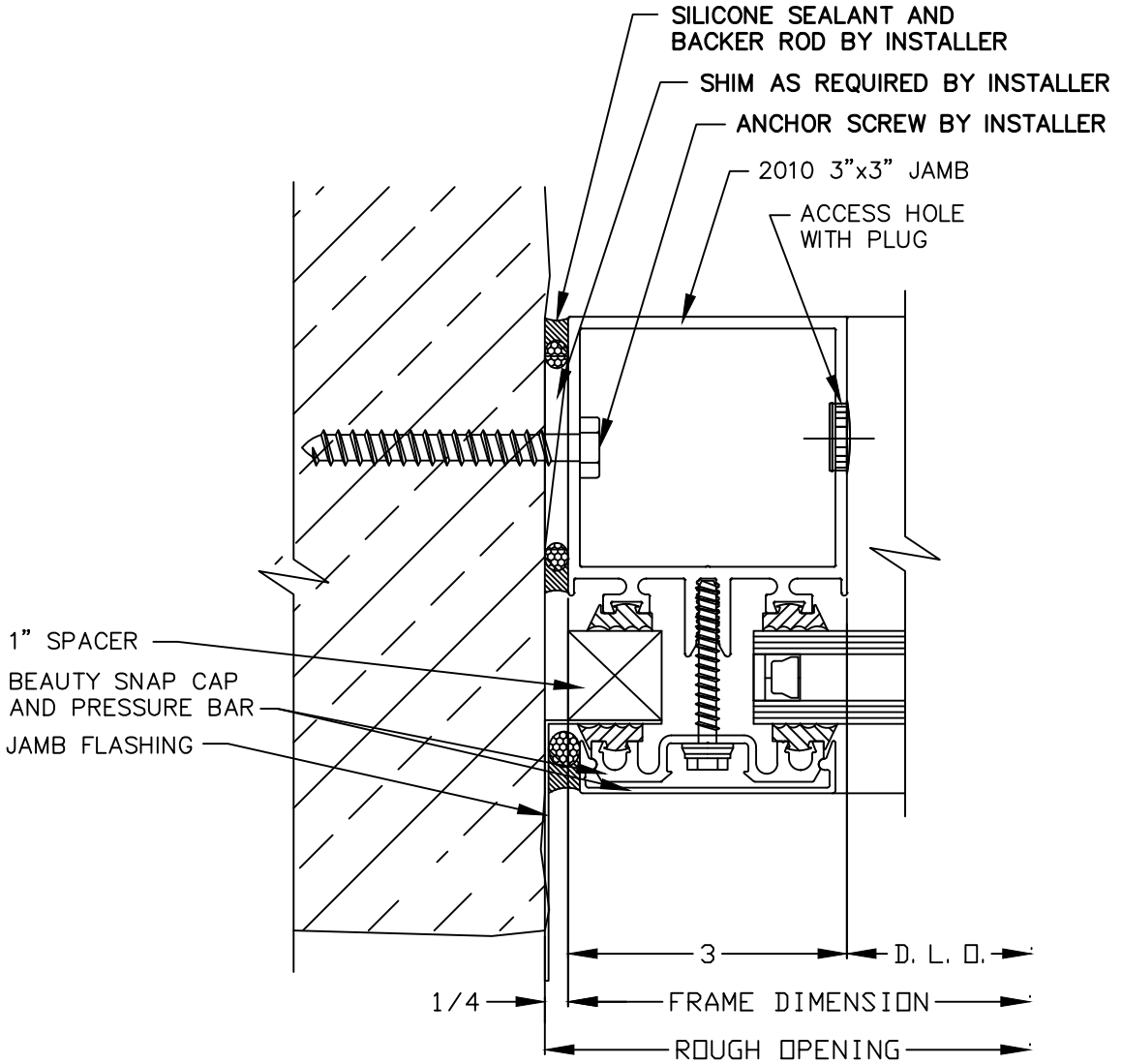
An AiA Industries Company

290 East 56th Avenue  
 Denver, CO 80216  
 (303) 296-9696  
 dalyte.co

INFINITE SKY  
 STRUCTURAL GREENHOUSE

END RAFTER

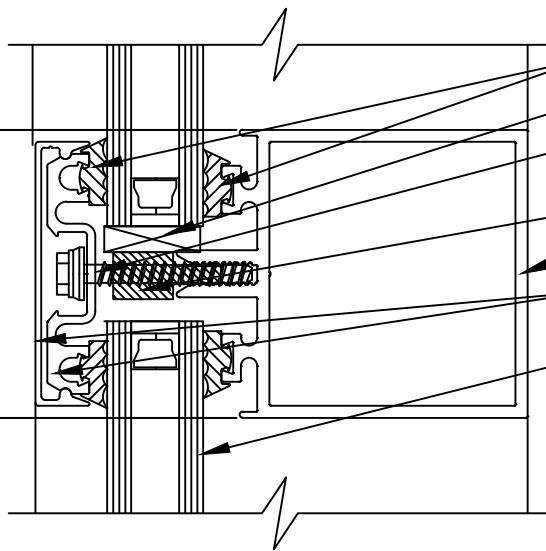




11 JAMB



→ D, L, O, ←  
3  
→ D, L, O, ←



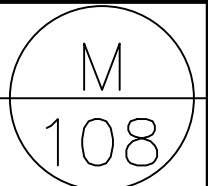
- EPDM GLAZING GASKETS
- SETTING BLOCK
- #14 x 1 1/2" HH BOND SEAL 'B' POINT SCREW
- GLAZING STOP
- 2010 MULLION
- BEAUTY SNAP CAP AND PRESSURE BAR
- GLAZING PER SCHEDULE

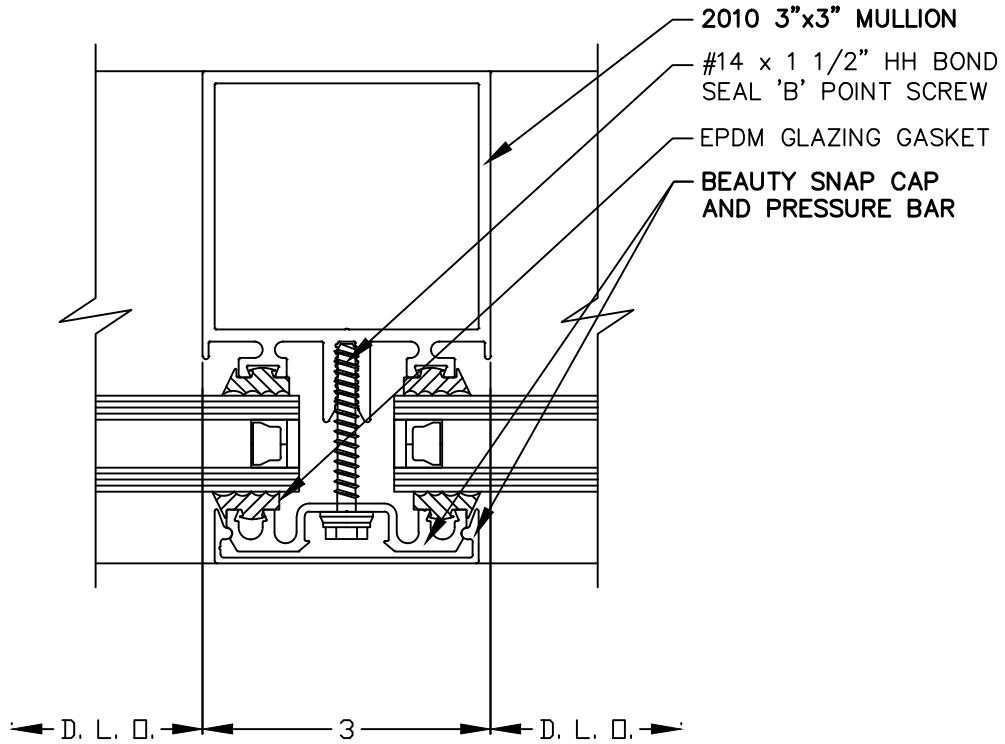


An AiA Industries Company

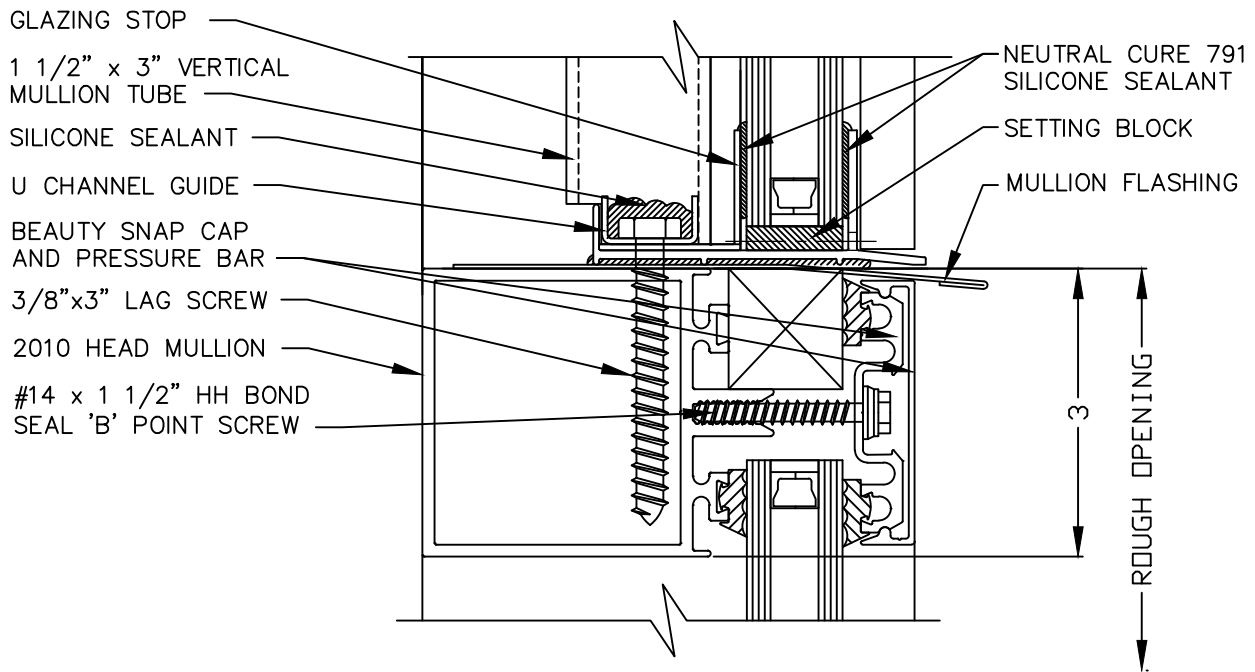
290 East 56th Avenue  
Denver, CO 80216  
(303) 296-9696  
dalyte.co

INFINITE SKY  
STRUCTURAL GREENHOUSE  
HORIZONTAL MULLION





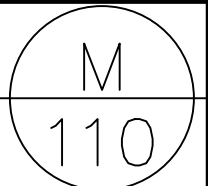
**12** MULLION

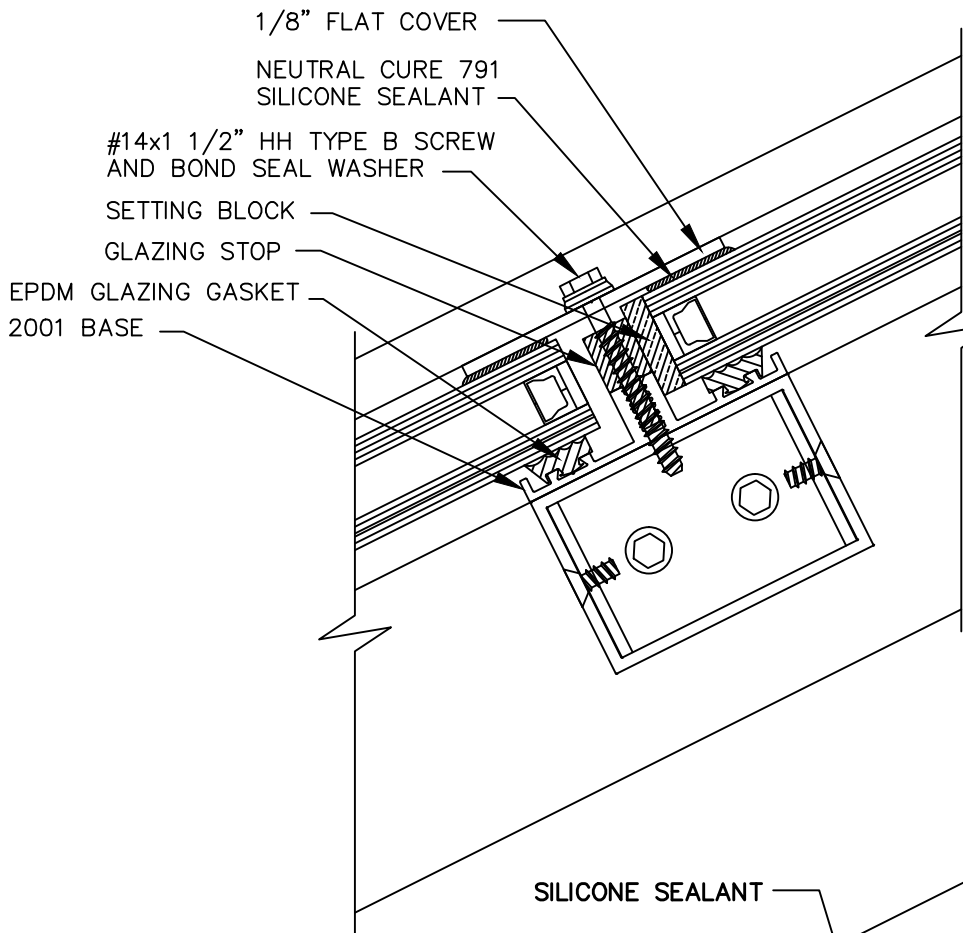


An AiA Industries Company

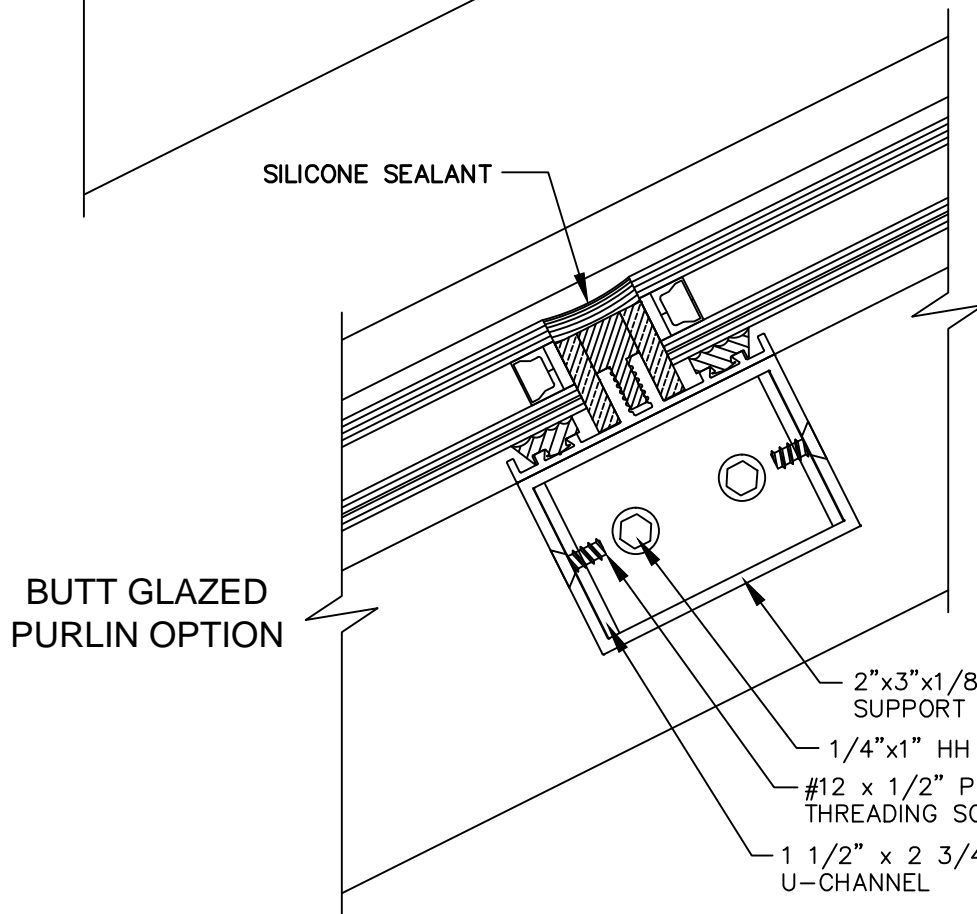
290 East 56th Avenue  
 Denver, CO 80216  
 (303) 296-9696  
 dalyte.co

INFINITE SKY  
 STRUCTURAL GREENHOUSE  
 GABLE END MULLION





STANDARD PURLIN WITH FLAT COVER



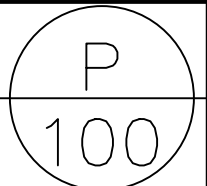
BUTT GLAZED PURLIN OPTION



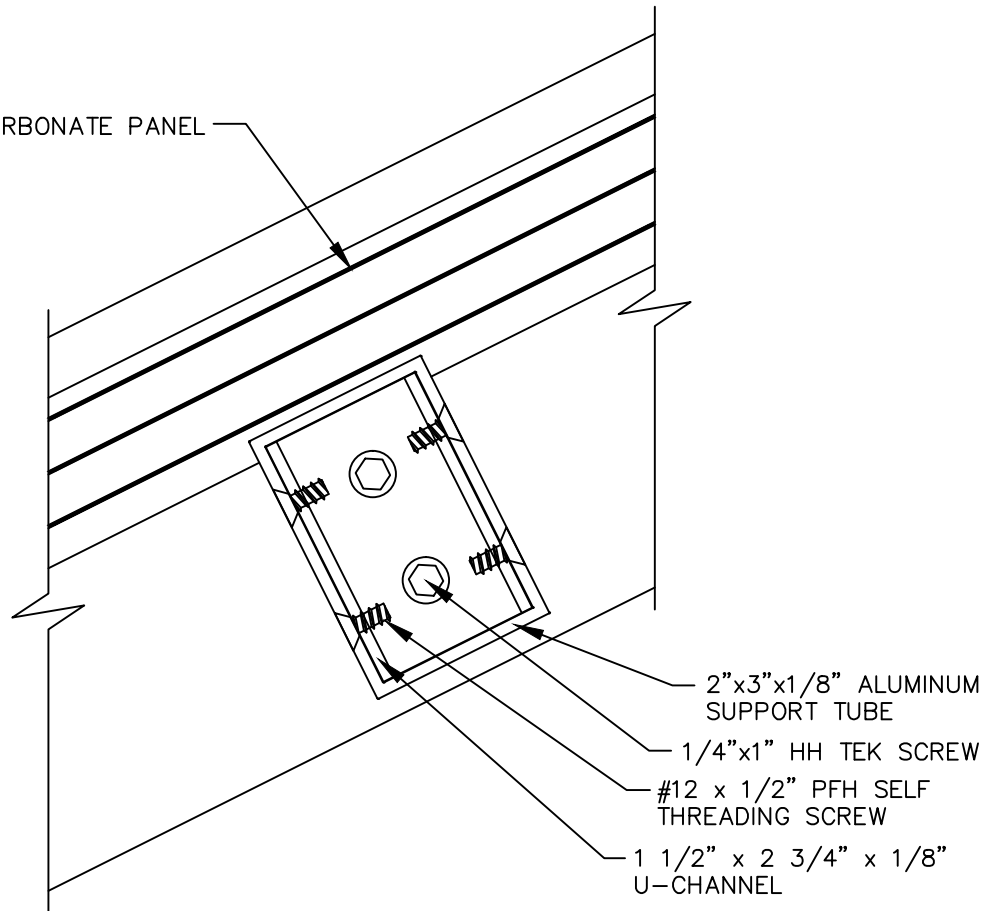
An AiA Industries Company

290 East 56th Avenue  
 Denver, CO 80216  
 (303) 296-9696  
 dalyte.co

INFINITE SKY  
 STRUCTURAL GREENHOUSE  
 PURLIN



POLYCARBONATE PANEL



FOR MULTIWALL  
POLYCARBONATE PANELS ONLY



290 East 56th Avenue  
Denver, CO 80216  
(303) 296-9696  
dalyte.co

INFINITE SKY  
STRUCTURAL GREENHOUSE  
**PURLIN**

