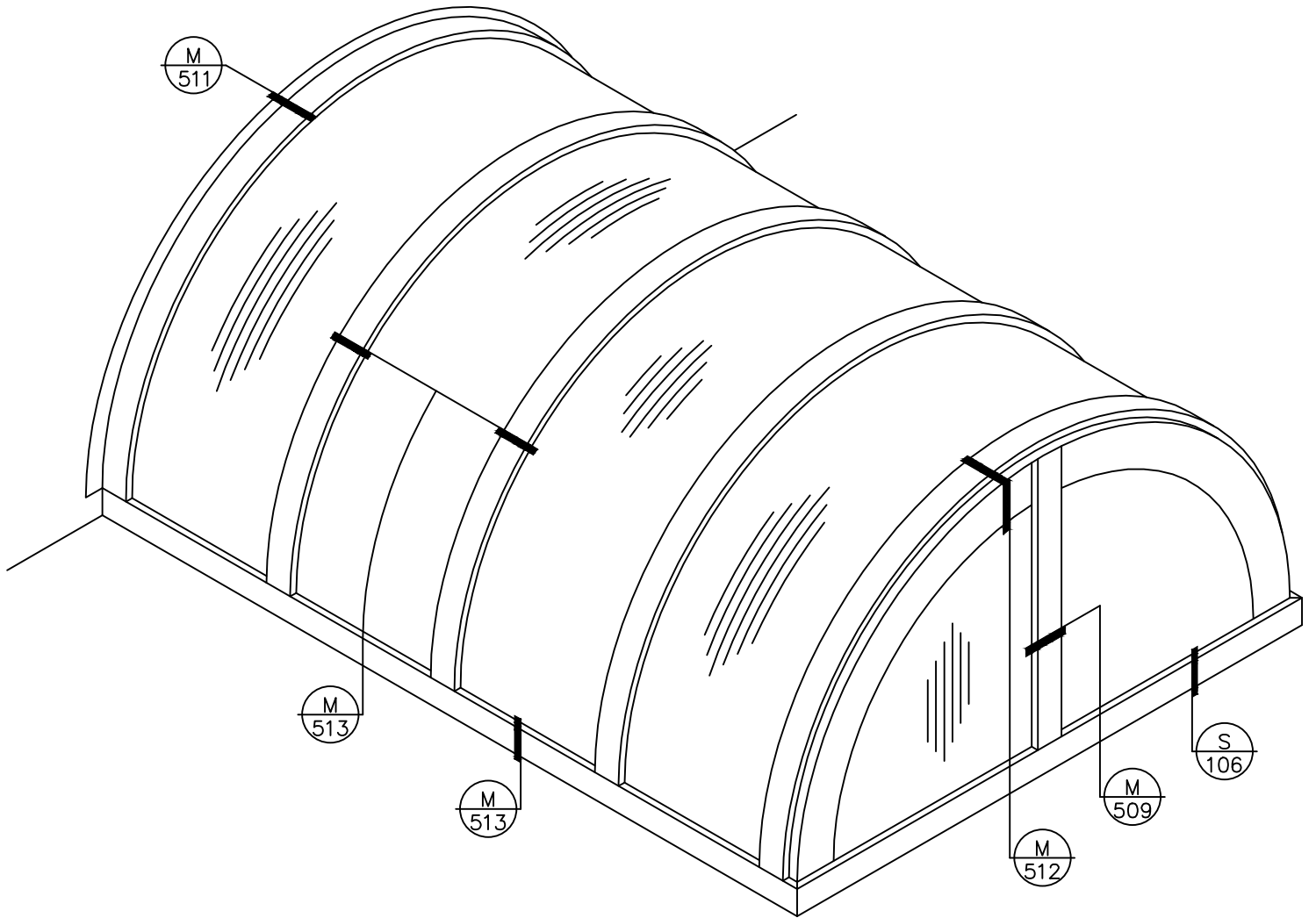


STRUCTURAL BARREL VAULT

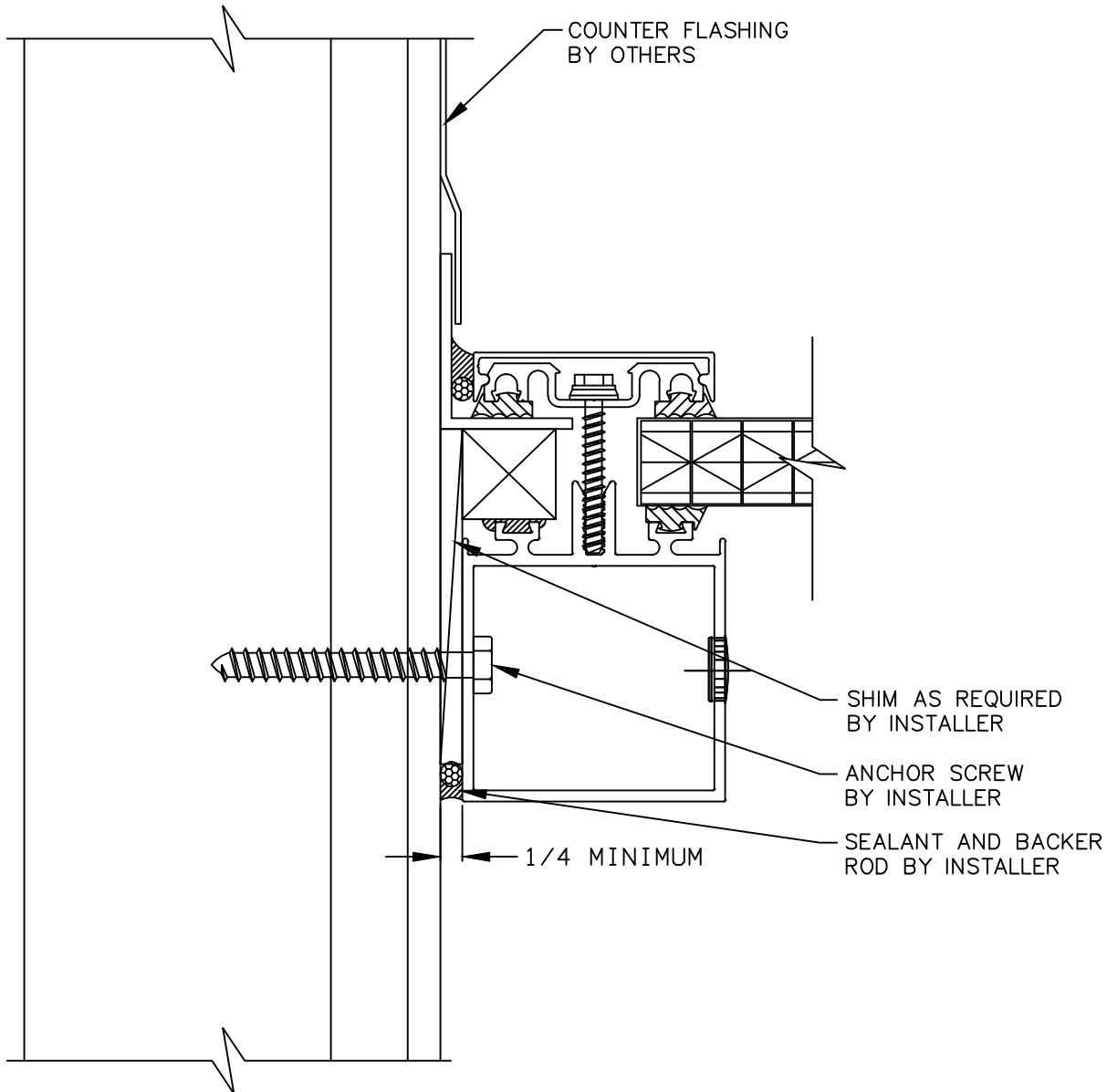


An AiA Industries Company

290 East 56th Avenue
Denver, CO 80216
(303) 296-9696
dalyte.co

INFINITE SKY
STRUCTURAL SKYLIGHT
BARREL VAULT

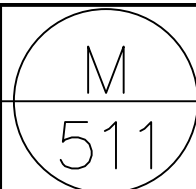
**PLAN
ISO**

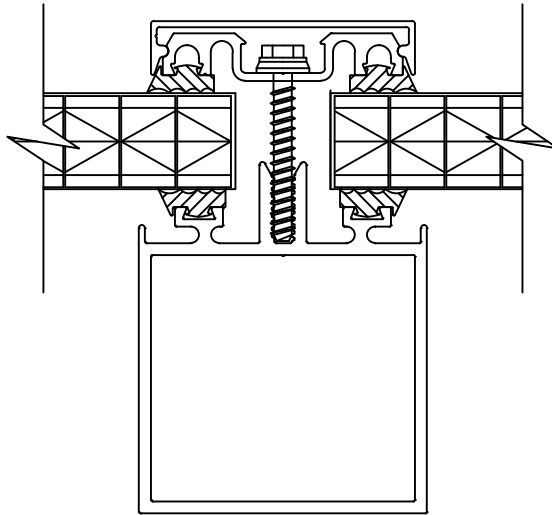


An AiA Industries Company

290 East 56th Avenue
 Denver, CO 80216
 (303) 296-9696
 dalyte.co

INFINITE SKY
 STRUCTURAL BARREL VAULT
END RAFTER



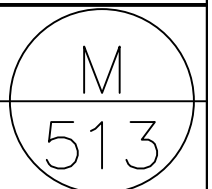


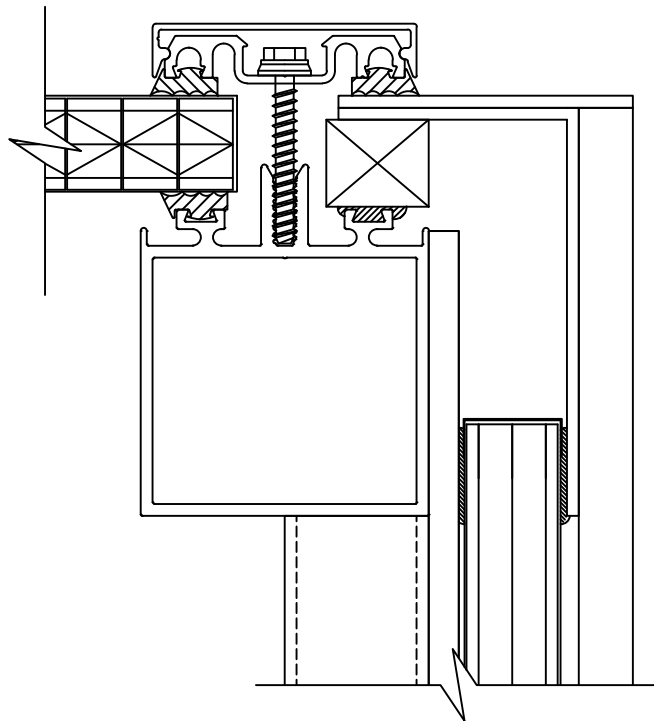
An AiA Industries Company

290 East 56th Avenue
Denver, CO 80216
(303) 296-9696
dalyte.co

INFINITE SKY
STRUCTURAL BARREL VAULT

RAFTER



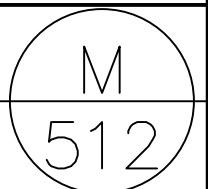


DALYTE

An AiA Industries Company

290 East 56th Avenue
Denver, CO 80216
(303) 296-9696
dalyte.co

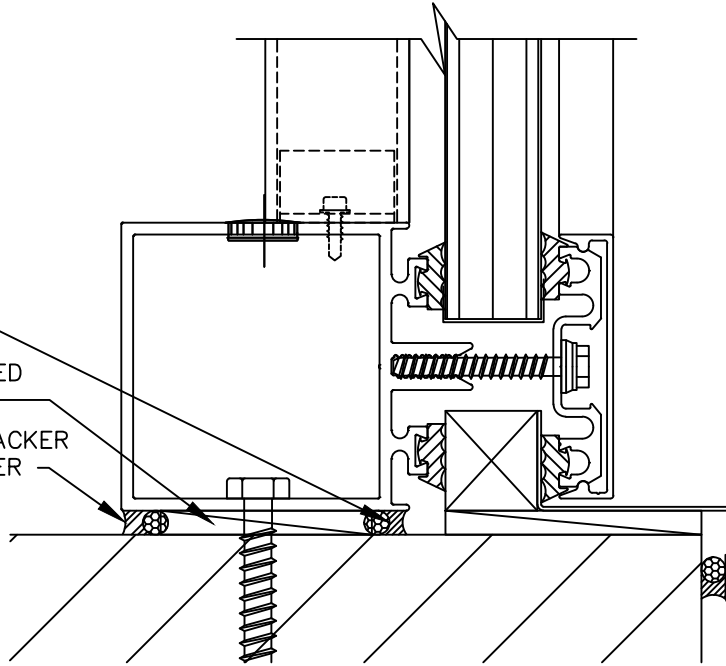
INFINITE SKY
STRUCTURAL BARREL VAULT
END RAFTER



ANCHOR SCREW
BY INSTALLER

SHIM AS REQUIRED
BY INSTALLER

SEALANT AND BACKER
ROD BY INSTALLER

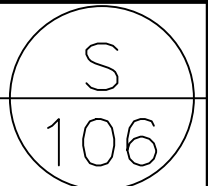


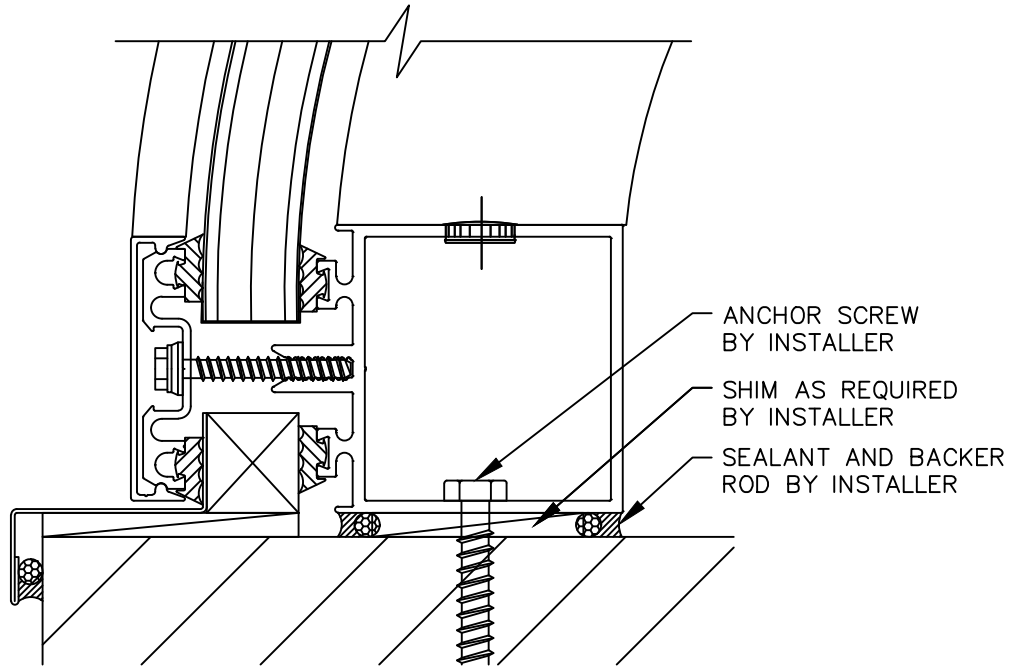
DALYTE

An AiA Industries Company

290 East 56th Avenue
Denver, CO 80216
(303) 296-9696
dalyte.co

INFINITE SKY
STRUCTURAL BARREL VAULT
GABLE END SILL



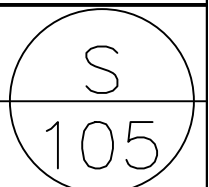


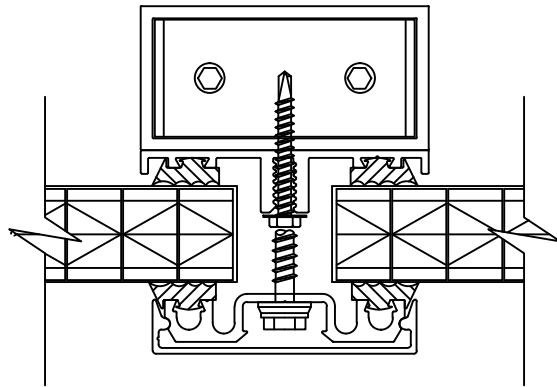
An AiA Industries Company

290 East 56th Avenue
 Denver, CO 80216
 (303) 296-9696
 dalyte.co

INFINITE SKY
 STRUCTURAL BARREL VAULT

SILL





DALYTE

An AiA Industries Company

290 East 56th Avenue
Denver, CO 80216
(303) 296-9696
dalyte.co

INFINITE SKY
STRUCTURAL BARREL VAULT

MULLION

